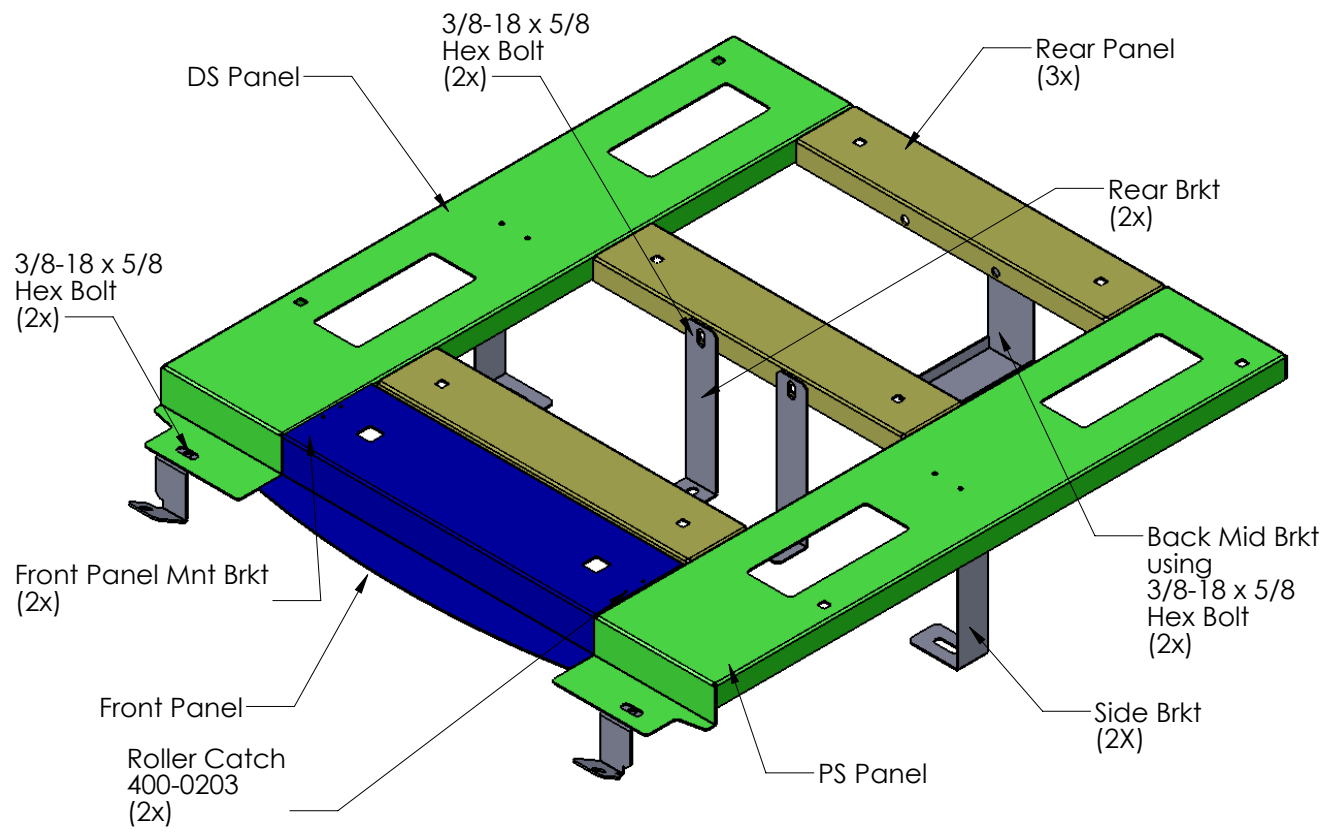
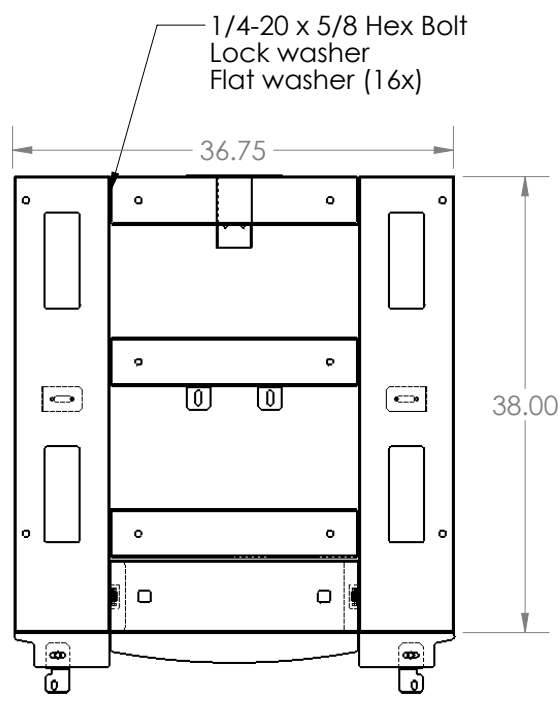


REV.	DESCRIPTION	BY	DATE	APPROVED
------	-------------	----	------	----------



Installation Hardware:
For Front, Rear & Back Mid Brkt:

- (6X)- 3/8-16 x 5/8 Hex Bolt
- (6X)- 3/8 Flat Washer
- (6X)- 3/8 Lock Washer

For Side Brkt:

- (4X)- 1/4-20 Lock Nut
- (4X)- 1/4-20 Flat Washer

For Back Mid Brkt:

NOTE: PURCHASE 4 NUTS TO SECURE SUB-FRAME TO 3RD ROW SEAT BOLTS

**Note: Cabinet System
Can be 40in Wide X 32in Deep Maximum**

NAME	DATE	 DANDR-ANSI-A REV2 APRIL 1, 2009 SIZE A
DRAWN	26NOV12	
CHECKED		Path: \\server-file\data\MECH ENG\MECH_DESIGN\933-0098A Dodge Durango Subframe\ File: 933-0098A Date: Tuesday, December 11, 2012 2:49:17 PM
THE INFORMATION CONTAINED WITHIN THIS DRAWING IS PROPRIETARY AND CONFIDENTIAL. AND IS THE SOLE PROPERTY OF DandR ELECTRONICS CO. LTD. IT MAY NOT BE REPRODUCED AT WHOLE OR IN PART WITHOUT THE WRITTEN PERMISSION OF DandR ELECTRONICS CO. LTD.		DESCRIPTION: 2012 Dodge Durango SubFrame
MFG. NO.	933-0098A	CATALOG. NO. XXX
USED ON:	934-0544A & Others	
FINISH	Black Midnight Wrinkle	MATERIAL XXga CRS
		REVISION 0