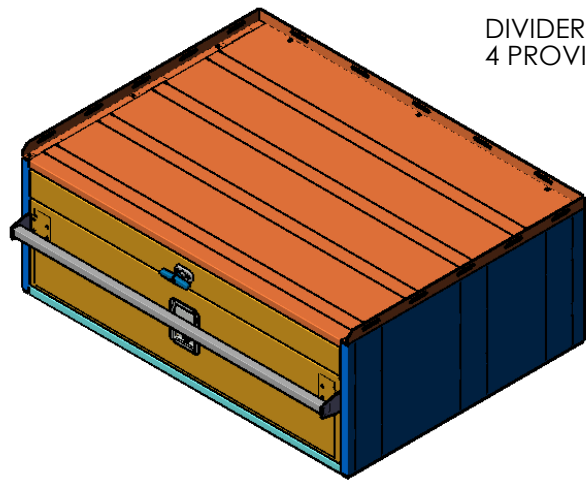
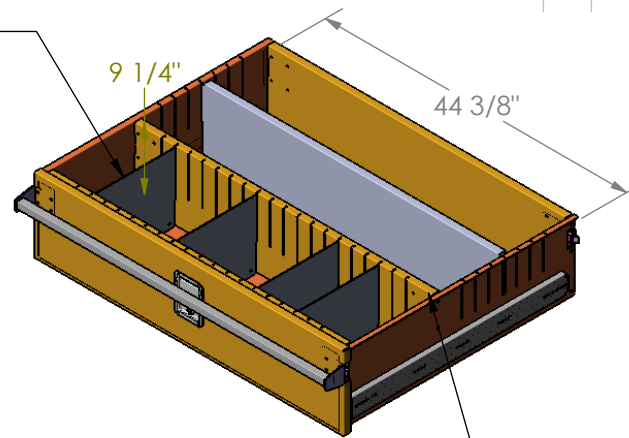


REV.	DESCRIPTION	DATE	APPROVED



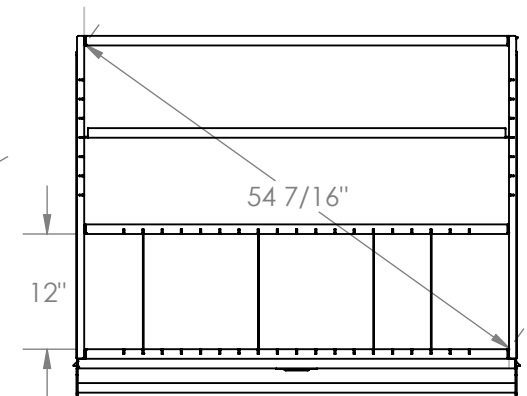
DIVIDER
4 PROVIDED



9 1/4"

44 3/8"

Fixed At 12.00in
from front

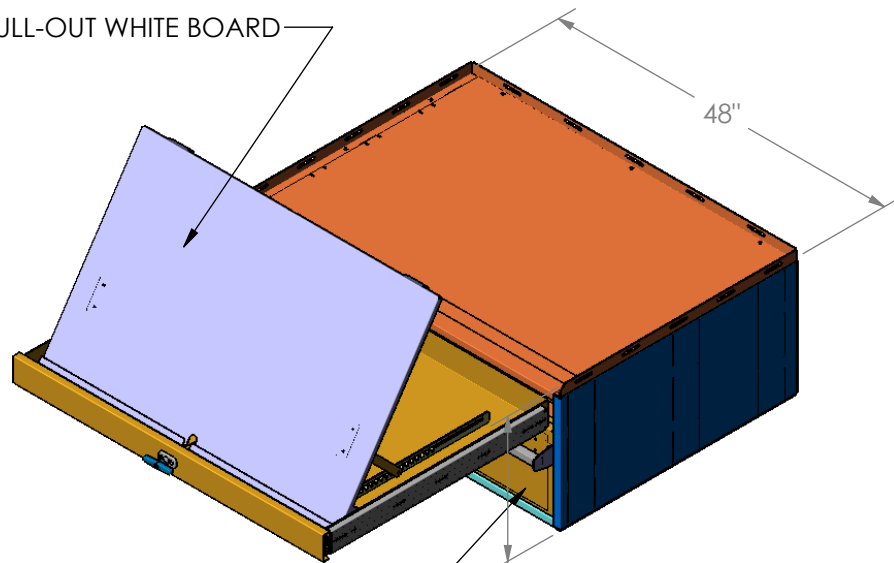


54 7/16"

12"

STORAGE DRAWER INSIDE DIMENSIONS

PULL-OUT WHITE BOARD

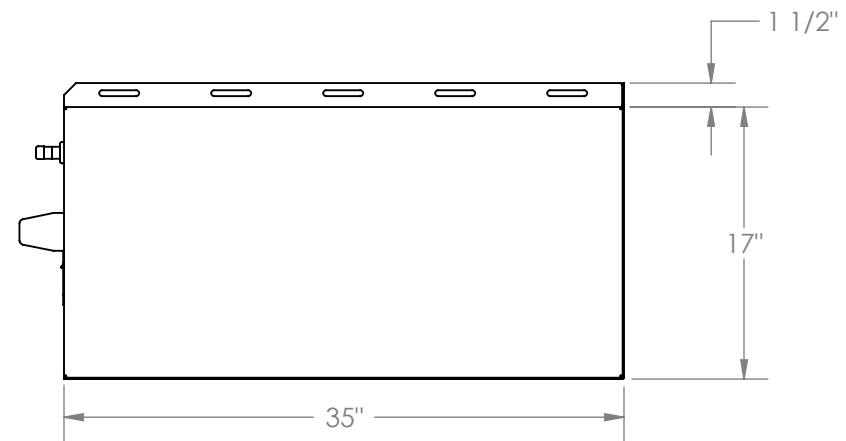


48"

18 1/2"

STORAGE DRAWER

2 PAIR 3320-36 SLIDES



1 1/2"

17"

35"

DIMENSIONS ARE IN INCHES TOLERANCES: FRACTIONAL ± 1/32 ANGULAR: ± .10° TWO PLACE DECIMAL ± .010 THREE PLACE DECIMAL ± .005		NAME BW	DATE		DANDR-ANSI-A REV1 APRIL 23, 2007
MATERIAL ALUM	FINISH Midnight Black Wrinkle	COMMENTS:			Single Drawer System with Pull-Out White Board
<small>Path: \\server-file\data\MECH ENG\MECH DESIGN\SCHERTZ Police Custom Stor File: 934-0597A Date: Wednesday, February 27, 2013 2:41:58 PM</small>				<small>SIZE DWG. NO.</small> A 934-0597A	<small>REV.</small> 0
<small>USED ON:</small>				<small>SHEET 1 OF 1</small>	