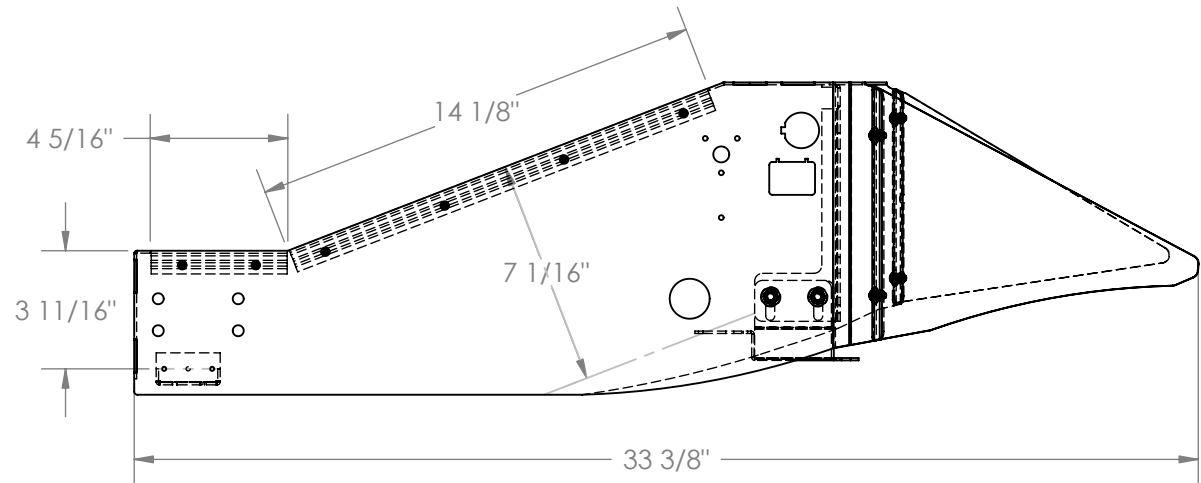
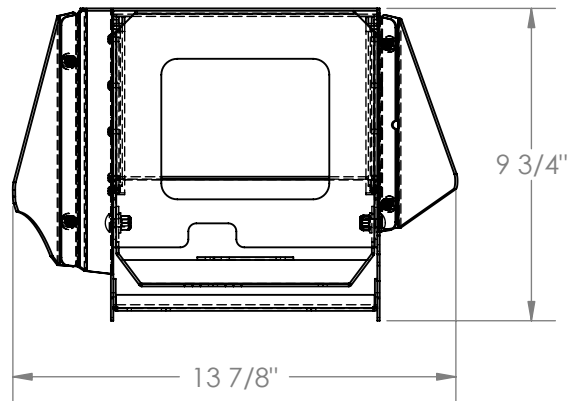
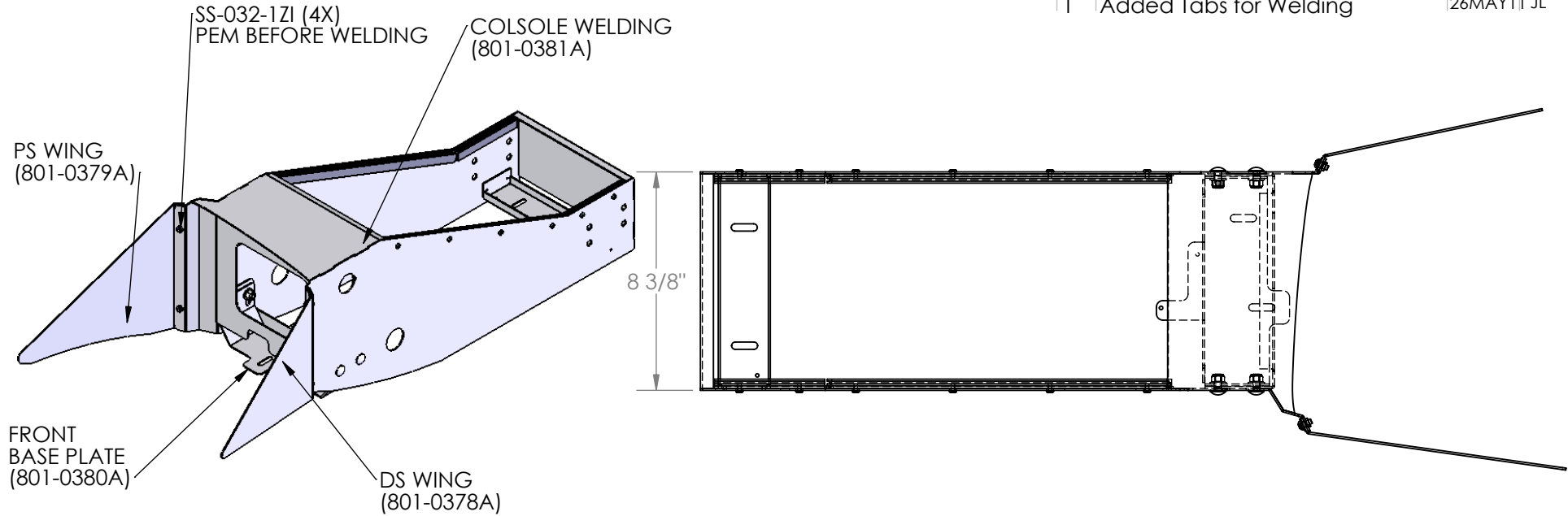


REV.	DESCRIPTION	DATE	APPROVED
1	Added Tabs for Welding	26MAY11 JL	



DIMENSIONS ARE IN INCHES TOLERANCES: FRACTIONAL $\pm 1/32$ ANGULAR: $\pm 10^\circ$ TWO PLACE DECIMAL $\pm .010$ THREE PLACE DECIMAL $\pm .005$		NAME AD	DATE	
MATERIAL CRS	FINISH Midnight Black Wrinkle	DRAWN CHECKED ENG APPR. MFG APPR. Q.A. COMMENTS:	Path: Y:\Old M Drive Files\MECH_DATA\901 Consoles\Charger 2011 Console A File: 901-0071A Date: Thursday, September 01, 2011 2:47:24 PM SIZE DWG. NO.	
				Charger 2011 Console A Type 'A'
				REV. 1 901-0071A
				USED ON: SHEET 1 OF 1