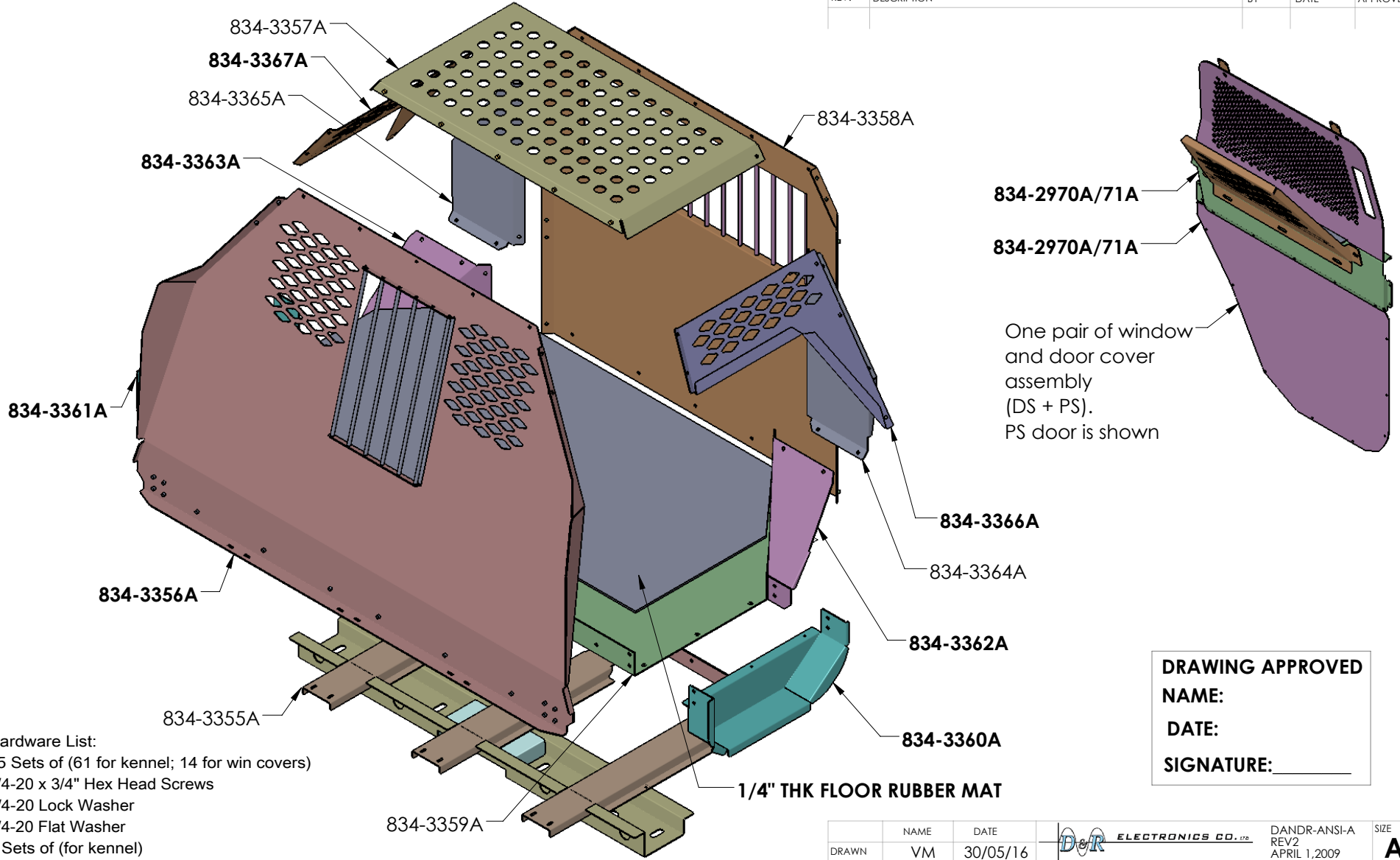


REV.	DESCRIPTION	BY	DATE	APPROVED



834-2970A/71A
834-2970A/71A
One pair of window and door cover assembly (DS + PS). PS door is shown

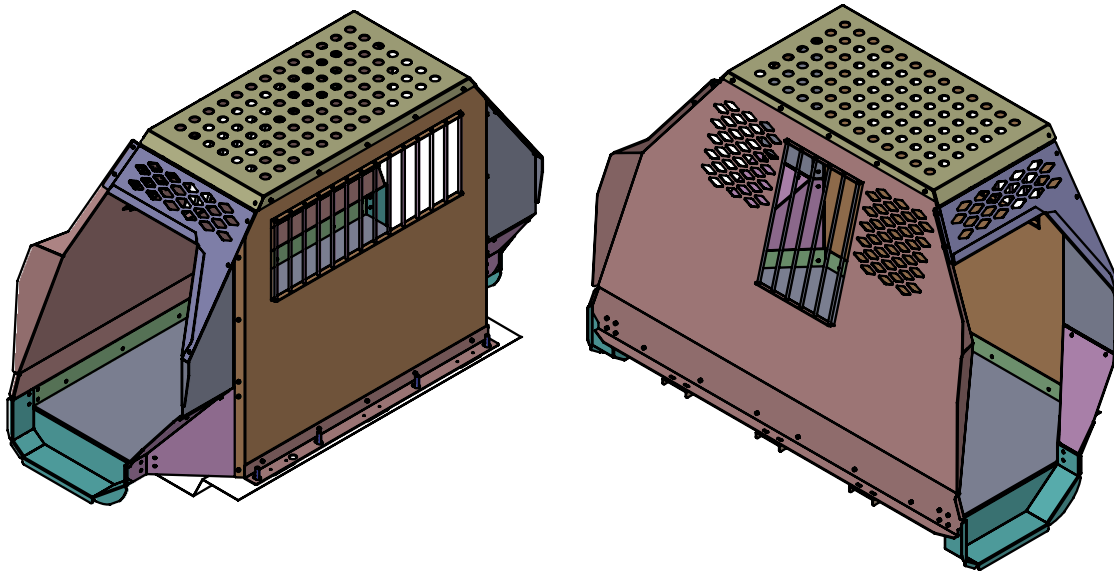
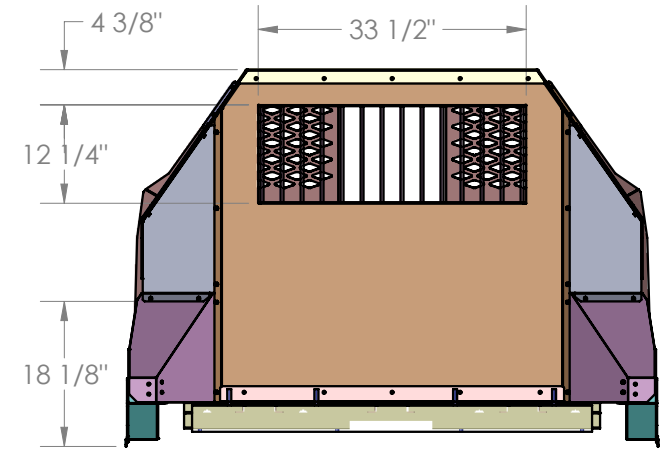
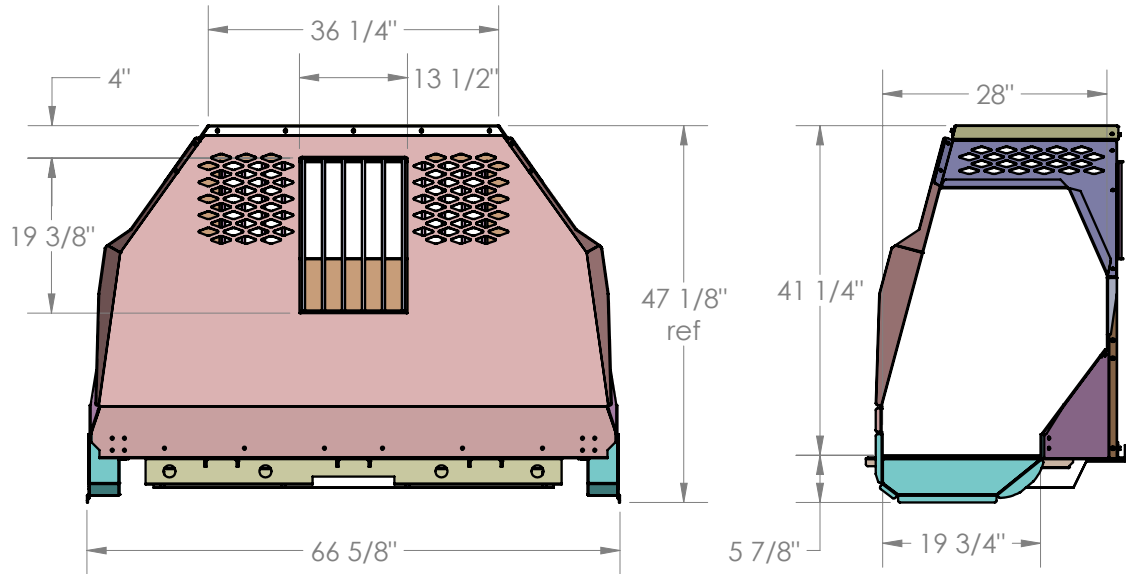
DRAWING APPROVED
NAME:
DATE:
SIGNATURE: _____

- Hardware List:
75 Sets of (61 for kennel; 14 for win covers)
1/4-20 x 3/4" Hex Head Screws
1/4-20 Lock Washer
1/4-20 Flat Washer
6 Sets of (for kennel)
1/4-20 x 1" Carriage Bolts
1/4-20 Flat Washers
1/4-20 Nyloc Nuts
14 Sets of (for win cover)
1/4-20 Flat Washers
1/4-20 Nyloc Nuts
6 Sets of (for kennel)
#10-32 x 1/2" Flat Head Screws
34- 3/16" GP3/8" Alum Rivets (for win cover)
4-#1/4-20 Fender Washers(for win cover)

1/4" THK FLOOR RUBBER MAT

NAME	DATE	ELECTRONICS CO., LTD. DANDR-ANSI-A REV2 APRIL 1, 2009	SIZE
DRAWN VM	30/05/16		A
CHECKED AD	30/05/16	Path: \\server-file\data\VM\MECH_DESIGN\2016Tahoe K9 Custom Setup\Front K9 File: 934-0752A Tahoe 2016 K9 Kennel For Single Dog Date: June-01-16 1:32:37 PM	
THE INFORMATION CONTAINED WITHIN THIS DRAWING IS PROPRIETARY AND CONFIDENTIAL. AND IS THE SOLE PROPERTY OF DANDR ELECTRONICS CO., LTD. IT MAY NOT BE REPRODUCED AT WHOLE OR IN PART WITHOUT THE WRITTEN PERMISSION OF DANDR ELECTRONICS CO., LTD.		DESCRIPTION: Tahoe 2016 K9 Kennel For Single Dog	
MFG. NO. 934-0752A		CATALOG. NO.	
USED ON:			SHEET 1 OF 2
FINISH	Midnight Black Wrinkle (Subframe 834-3355A)	MATERIAL	0.125" ALUM / 12 GA CRS
			REV. 0

REV.	DESCRIPTION	BY	DATE	APPROVED



NAME	DATE	ELECTRONICS CO., LTD.		DANDR-ANSI-A	SIZE
DRAWN	VM	30/05/16		REV2	A
CHECKED	AD	30/05/16		APRIL 1, 2009	
FINISH		MATERIAL		DESCRIPTION:	
Midnight Black Wrinkle (Subframe 834-3355A)		0.125" ALUM / 12 GA CRS		Tahoe 2016 K9 Kennel For Single Dog	
MFG. NO.		CATALOG. NO.		SHEET 2 OF 2	
934-0752A				REV. 0	

Path: \\server-file\data\M\MECH_DESIGN\2016\tahoe K9 Custom Setup\Front K9
File: 934-0752A Tahoe 2016 K9 Kennel For Single Dog
Date: June-01-16 1:32:37 PM

THE INFORMATION CONTAINED
WITHIN THIS DRAWING IS
PROPRIETARY AND CONFIDENTIAL.
AND IS THE SOLE
PROPERTY OF DANDR
ELECTRONICS CO., LTD. IT MAY
NOT BE REPRODUCED AT WHOLE
OR IN PART WITHOUT THE
WRITTEN PERMISSION OF DANDR
ELECTRONICS CO., LTD.