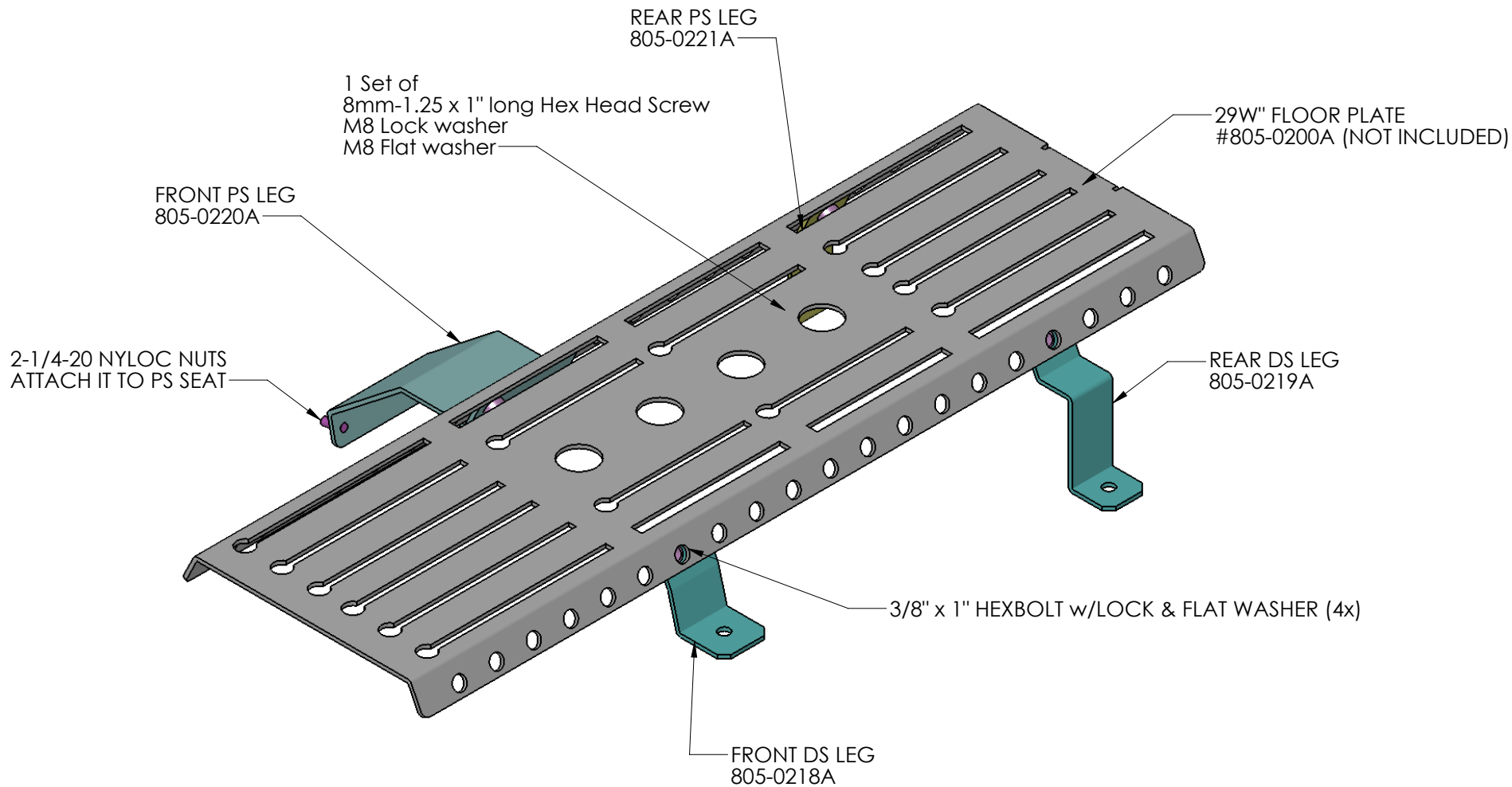


REV.	DESCRIPTION	DATE	APPROVED



DIMENSIONS ARE IN INCHES TOLERANCES: FRACTIONAL $\pm 1/32$ ANGULAR: $\pm .10^\circ$ TWO PLACE DECIMAL $\pm .010$ THREE PLACE DECIMAL $\pm .005$	NAME	DATE		
	DRAWN	MQ		11FEB2011
	CHECKED	AD	11FEB2011	RAM 2010 FLOOR MOUNT
	ENG APPR.			
	MFG APPR.			
MATERIAL	Q.A.		Path: Y:\MECH ENG\MECH_DATA\905 Floor Mounts\Ram2010 Floor Mount\ File: 905-0116A Date: Tuesday, July 08, 2014 1:04:09 PM	
FINISH	COMMENTS:		SIZE DWG. NO. 905-0116A REV. 0	
Midnight Black Wrinkle			USED ON: SHEET 1 OF 1	