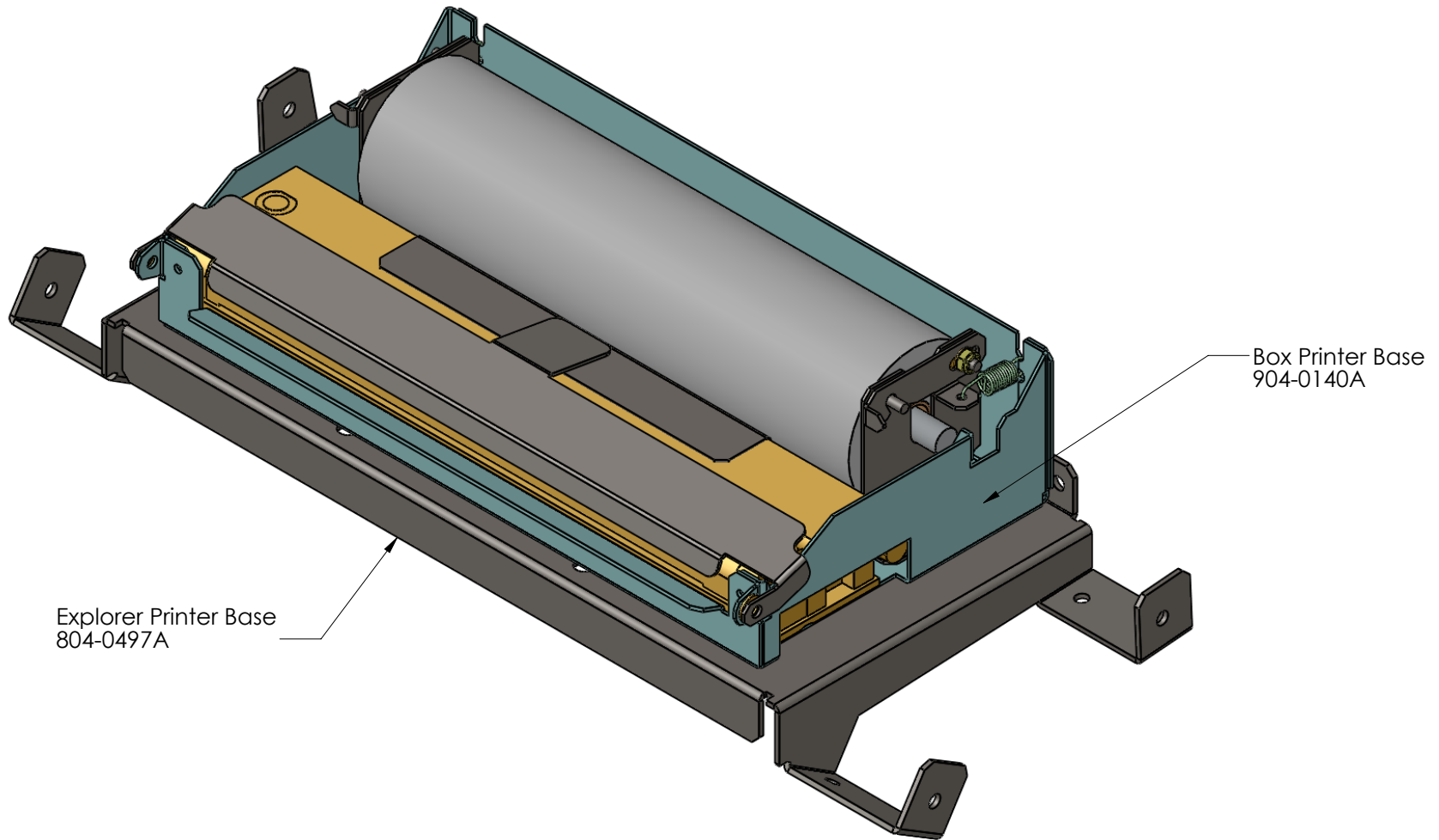


REV.	DESCRIPTION	BY	DATE	APPROVED



Explorer Printer Base
804-0497A

Box Printer Base
904-0140A

	NAME	DATE	 ELECTRONICS CO., LTD.	DANDR-ANSI-A	SIZE
DRAWN	DB	06MAR13		REV2	A
CHECKED	AD	06MAR13	Path: Y:\MECH ENG\MECH_DESIGN\Ford Expl2013 Concept Kit\Expl2013 Glove Box Printer\ File: 904-0140C Date: Monday, July 29, 2013 8:32:07 AM	DESCRIPTION:	
THE INFORMATION CONTAINED WITHIN THIS DRAWING IS PROPRIETARY AND CONFIDENTIAL. AND IS THE SOLE PROPERTY OF DandR ELECTRONICS CO. LTD. IT MAY NOT BE REPRODUCED AT WHOLE OR IN PART WITHOUT THE WRITTEN PERMISSION OF DandR ELECTRONICS CO. LTD.			Explorer Glove Box Assy		
FINISH			MFG. NO.	CATALOG. NO.	SHEET 1 OF 1
-			904-0140C	XXX	0
-			USED ON:	REV.	
-			-	-	