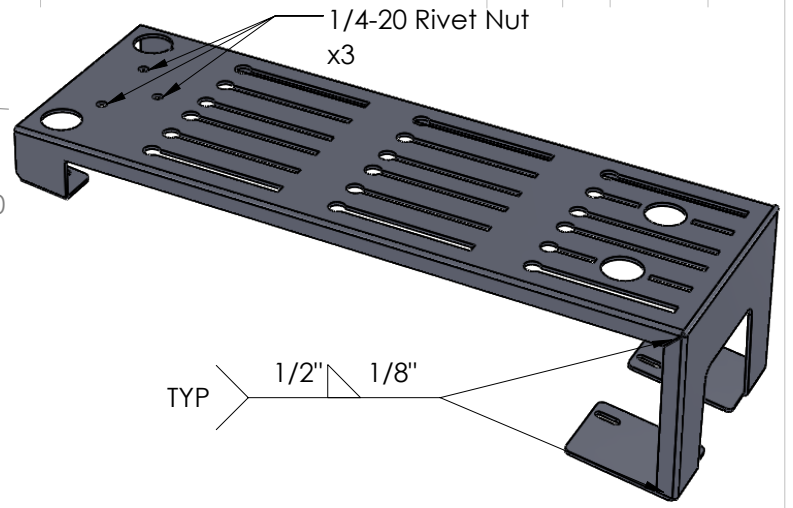
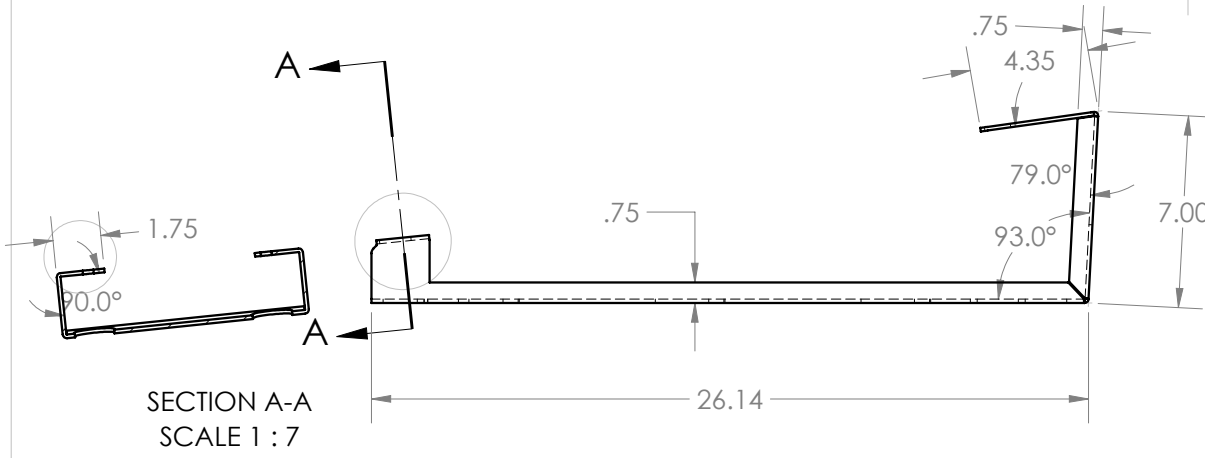
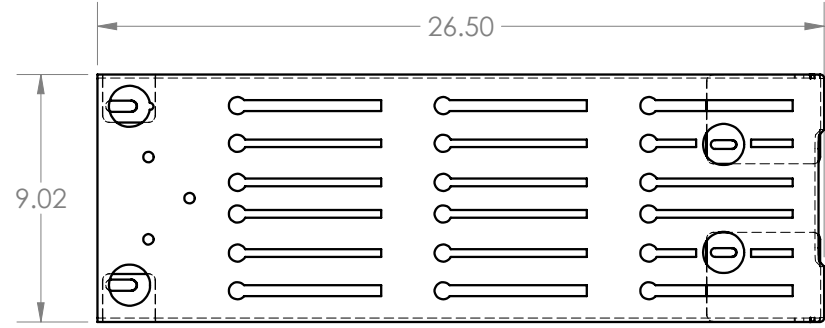


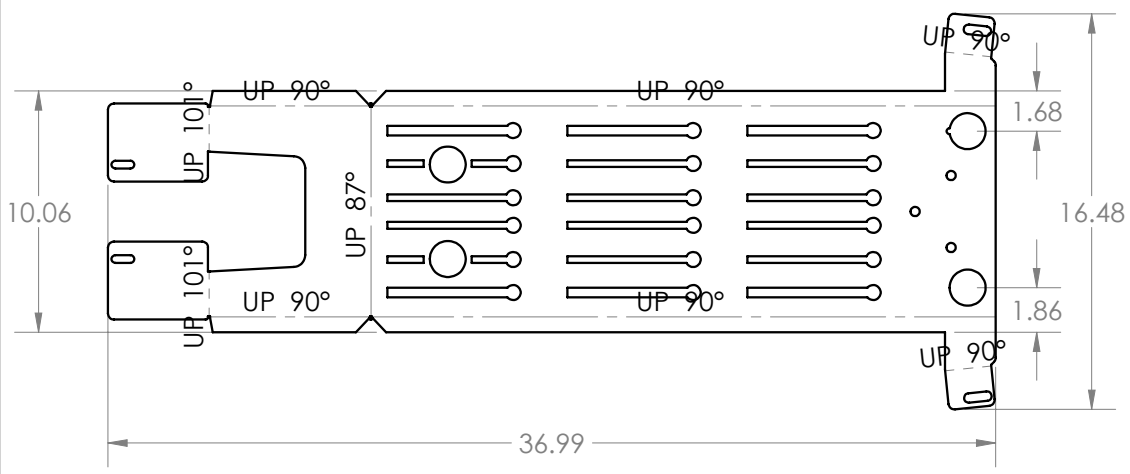
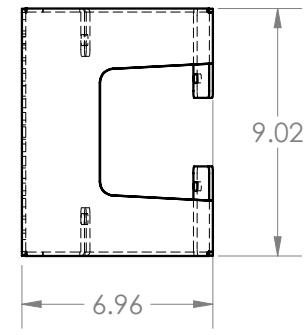
REV.	DESCRIPTION	DCR	BY	DATE	APPROVED



SECTION A-A
SCALE 1 : 7



TYP $\frac{1}{2}$ " $\frac{1}{8}$ "



FLAT PATTERN

PART NOT SYMMETRIC
INSTALL USING FACTORY HARDWARE

NAME	DATE	DESCRIPTION	SIZE
MS	14FEB20	2020 Utility Floor Plate	A
AD	14FEB20	2020 Utility Floor Plate	A
THE INFORMATION CONTAINED WITHIN THIS DRAWING IS PROPRIETARY AND CONFIDENTIAL AND IS THE SOLE PROPERTY OF DandR ELECTRONICS CO. LTD. IT MAY NOT BE REPRODUCED AT WHOLE OR IN PART WITHOUT THE WRITTEN PERMISSION OF DandR ELECTRONICS CO. LTD.		DANDR-ANSI-A REV2 APRIL 1, 2009	SIZE A
MFG. NO. 905-0148A		CATALOG. NO. XXX	
USED ON: 9XX-XXXX		SHEET 1 OF 1	
FINISH MIDNIGHT BLACK WRINKLE	MATERIAL 0.135" CRS	REV. 0	