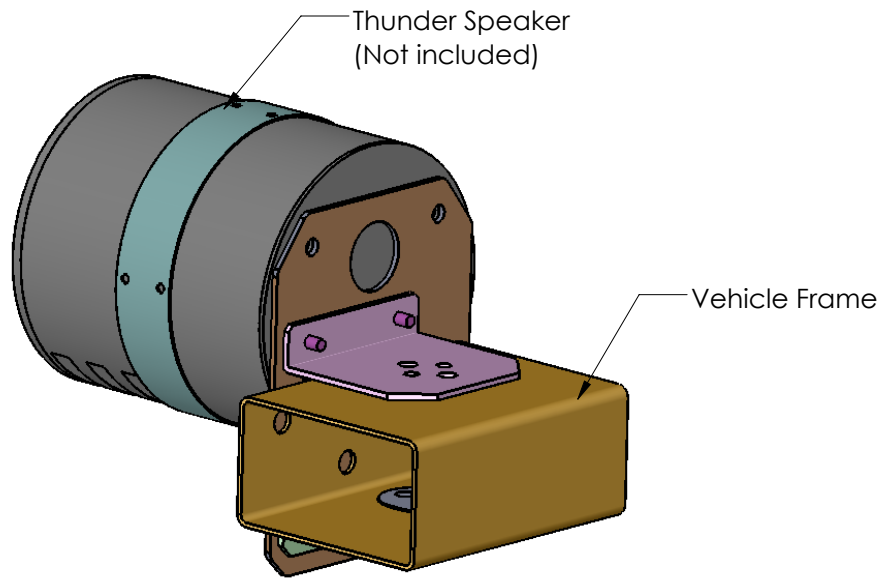
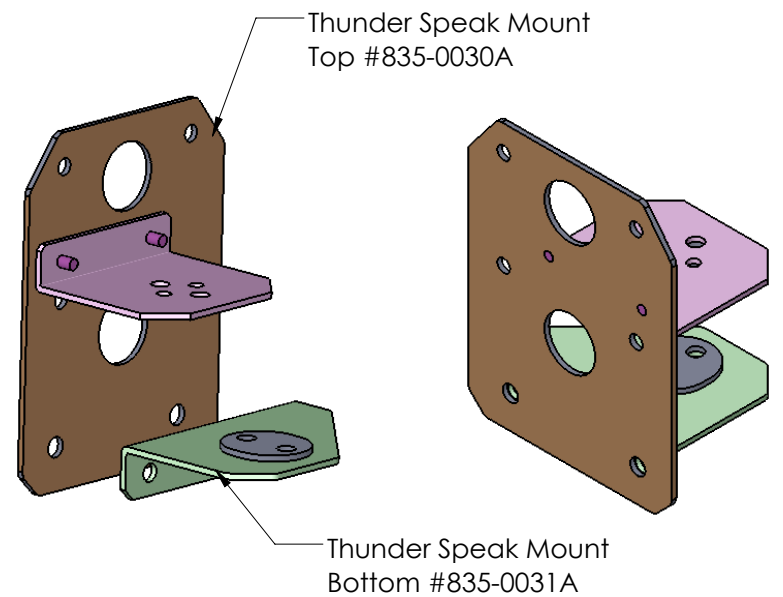
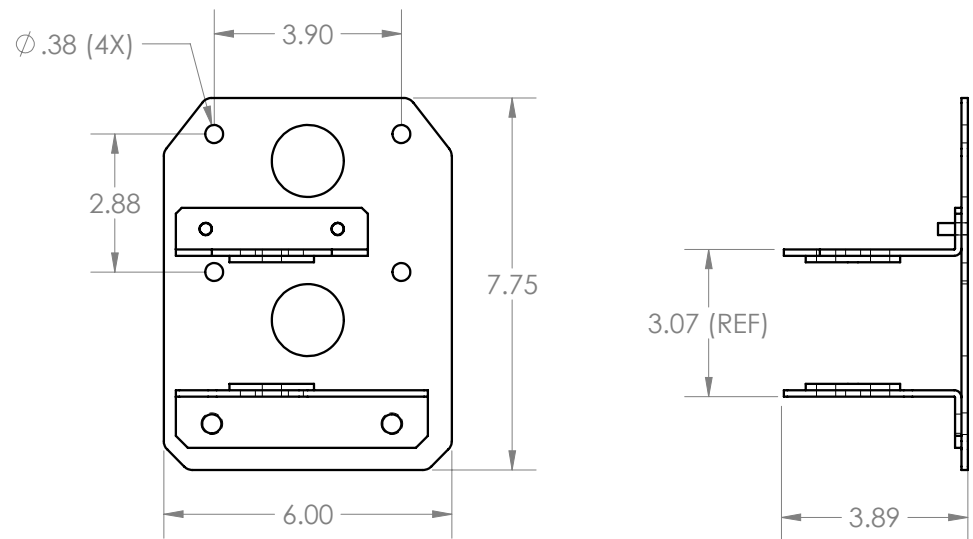


REV.	DESCRIPTION	BY	DATE	APPROVED



Hardware list:

- 2-Hex Bolt SS 3/8-16 x 3 3/4" (411-0156)**
- 2-Hex Bolt SS 3/8-16 x 1" (411-0050)**
- 4-Nyloc Nuts SS 3/8-16 (432-0010)**
- 8-Flat Washer SS 3/8-16 (413-0007)**
- 4-Hex Bolt SS 5/16-18 x 1" (411-0037)**
- 4-Lock Washer SS 5/16-18 (413-0006)**
- 4-Flat Washer SS 5/16-18 (413-0005)**

DRAWN	NAME MQ	DATE 08MAR17	 DANDR-ANSI-A REV2 APRIL 1, 2009	SIZE A
CHECKED	AD	08MAR17		Path: Y:\M\MECH_DATA\935 Speaker Brackets\Expl 2013+Thunder Speak Brkt\ File: 935-0082A Date: Wednesday, March 08, 2017 3:08:58 PM
THE INFORMATION CONTAINED WITHIN THIS DRAWING IS PROPRIETARY AND CONFIDENTIAL. AND IS THE SOLE PROPERTY OF DandR ELECTRONICS CO. LTD. IT MAY NOT BE REPRODUCED AT WHOLE OR IN PART WITHOUT THE WRITTEN PERMISSION OF DandR ELECTRONICS CO. LTD.			DESCRIPTION: <h3 style="text-align: center;">Explorer 2013+ Thunder Speak Mount</h3>	
FINISH Zinc Plate Black Semi-gloss Ext.			MFG. NO. 935-0082A	CATALOG. NO.
			USED ON: 935-0082A	SHEET 1 OF 1
			MATERIAL 10 ga CRS	REV. 0