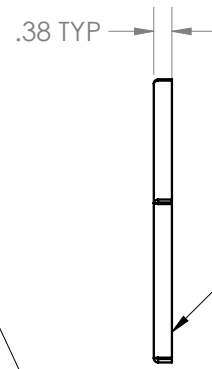
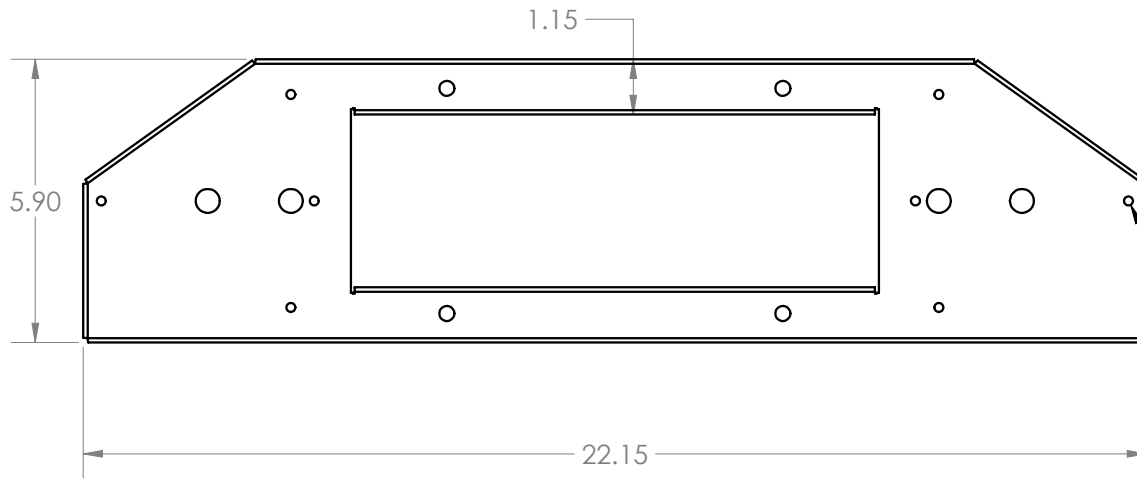


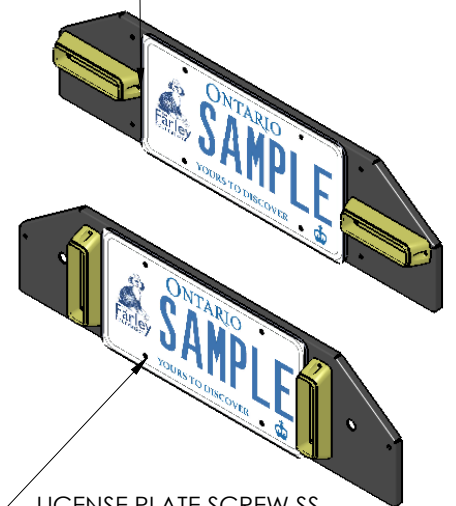
| REV. | DESCRIPTION | BY | DATE | APPROVED |
|------|-------------|----|------|----------|
| | | | | |



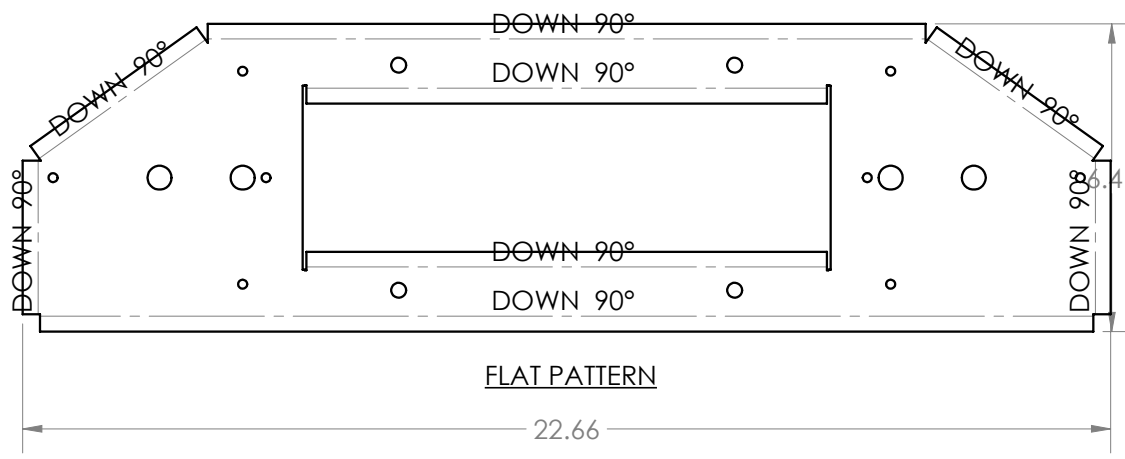
INSTALL RUBBER U-CHANNEL (825-351). CUT LENGTH TO FIT EACH EDGE

PEM SO-632-8-ZI
8X (After Paint)

PAN HD SCREW, #6 x 1/2"
#6 FLAT & LOCK WASHER
4X



LICENSE PLATE SCREW SS
#14 x 1" (411-0135)
4X



- BAG HARDWARE:**
4x PAN HD SCREW #6 x 1/2" SS (401-0103)
4x FLAT WASHER #6 SS (403-0109)
4x LOCK WASHER #6 SS (403-0045)
4x LICENSE PLATE SCREW SS #14 x 1"(411-0135)

| | | | | |
|--|------------------------------------|----------------|--|--|
| DRAWN | NAME AT | DATE 6JUN16 | DANDR-ANSI-A REV2 APRIL 1, 2009 | SIZE A |
| CHECKED | AD | 6JUN16 | | Path: \\server-file\data\M\MECH_DATA\936 Brackets\Chgr License Plate Brkt File: 936-0568A Date: Thursday, June 23, 2016 8:13:13 AM |
| THE INFORMATION CONTAINED WITHIN THIS DRAWING IS PROPRIETARY AND CONFIDENTIAL AND IS THE SOLE PROPERTY OF DANDR ELECTRONICS CO. LTD. IT MAY NOT BE REPRODUCED AT WHOLE OR IN PART WITHOUT THE WRITTEN PERMISSION OF DANDR ELECTRONICS CO. LTD. | | | Genesis License Plate Brkt 2 Lights for Dodge Charger | |
| MFG. NO. | | CATALOG. NO. | | |
| 936-0568A | | XXX | | |
| USED ON: | | SHEET 1 OF 1 | | |
| 9XX-XXXX | | | | |
| FINISH | ZINC PLATE EXT SEMI-GLOSS BLACK | MATERIAL | 14ga CRS | REV. 0 |