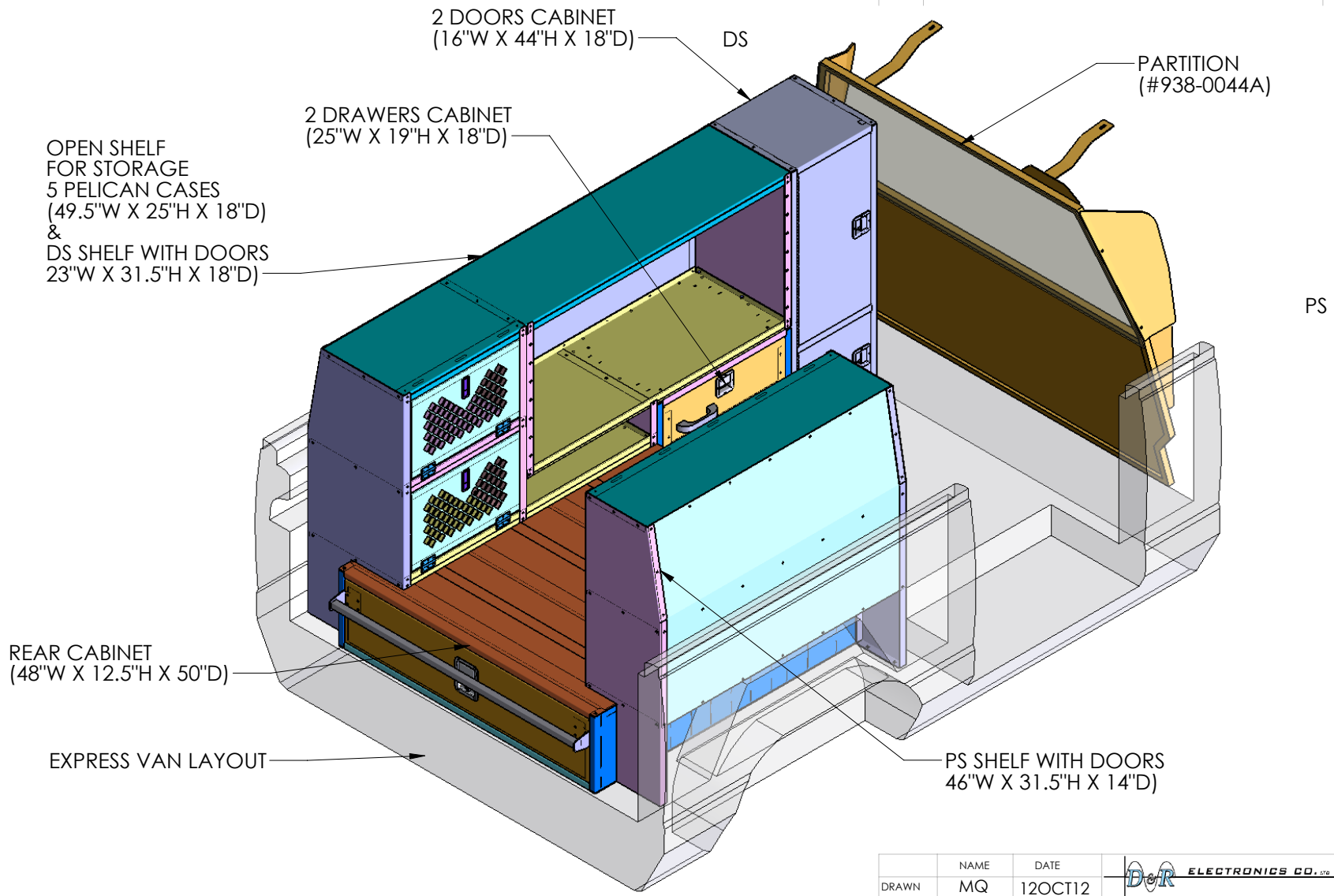
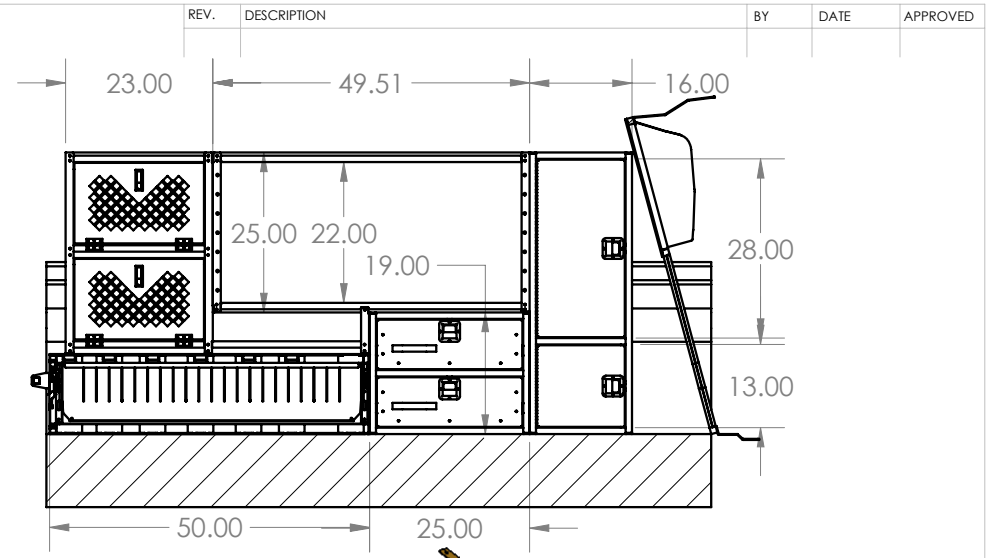
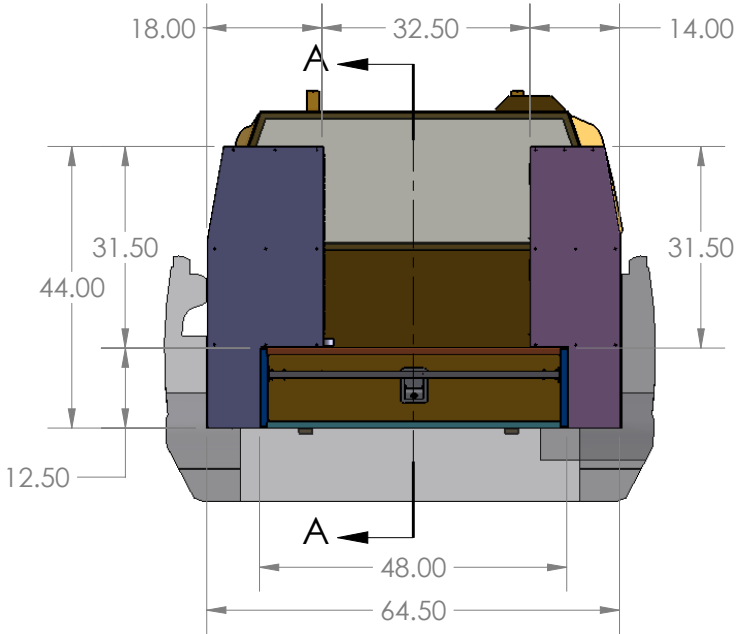


REV.	DESCRIPTION	BY	DATE	APPROVED
------	-------------	----	------	----------

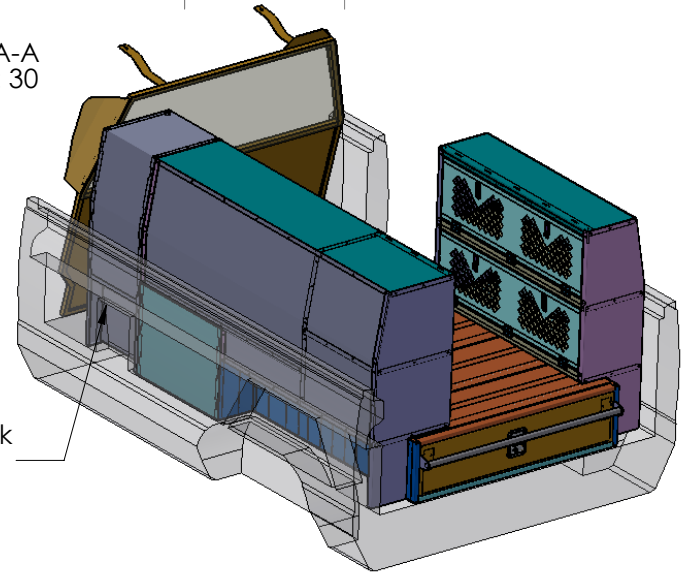
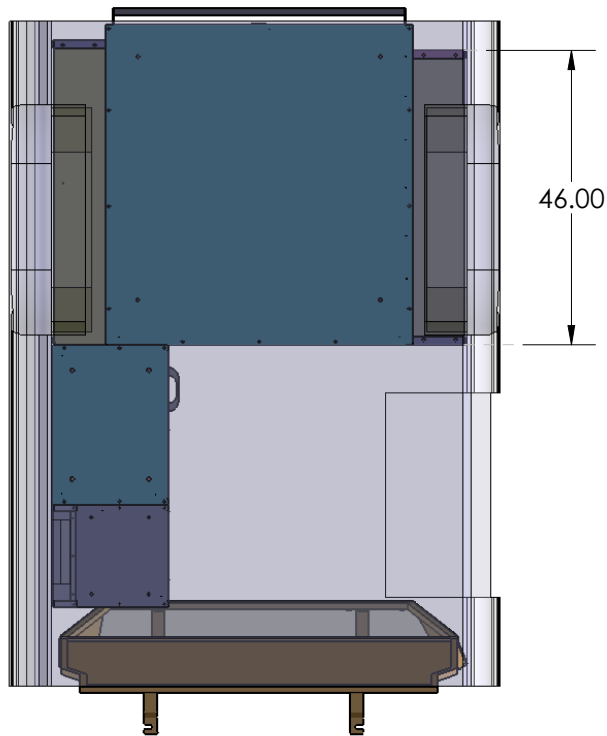


- ONE PAIR OF HEAVY DUTY POMAR #H61330048ZN SLIDE
- TWO PAIR OF LIGHT DUTY 16" TRAVEL SLIDE
- 4 OF FAUCHER SS TOOL BOX LOCK #695-9890
- 2 OF Concealed Fix Grab Handle Spaenaur 099-170
- 10 BUTT HINGES
- 44" PIANO HINGE WITH 3" CC HOLES 2" OPEN 1/8" DIA PIN 20GA ,

NAME	DATE	 ELECTRONICS CO.	DANDR-ANSI-A	SIZE
MQ	12OCT12		REV2	A
CHECKED		Path: Y:\MECH ENG\MECH_DESIGN\934-0557A Chevy Express 2010 Storage Package\ File: 934-0557A Date: Friday, October 12, 2012 11:31:56 AM		
THE INFORMATION CONTAINED WITHIN THIS DRAWING IS PROPRIETARY AND CONFIDENTIAL. AND IS THE SOLE PROPERTY OF DandR ELECTRONICS CO. LTD. IT MAY NOT BE REPRODUCED AT WHOLE OR IN PART WITHOUT THE WRITTEN PERMISSION OF DandR ELECTRONICS CO. LTD.		DESCRIPTION: <h3 style="text-align: center;">Chevy Express 2010 Storage Package</h3>		
FINISH		MATERIAL	SHEET 1 OF 2	
Midnight Black Wrinkle		0.090" / 0.125" ALUM	REV.	0



SECTION A-A
SCALE 1 : 30



Cabinet Back Notched

DRAWN	NAME MQ	DATE 12OCT12	ELECTRONICS CO.	DANDR-ANSI-A REV2 APRIL 1, 2009	SIZE A
CHECKED			Path: Y:\MECH ENG\MECH_DESIGN\934-0557A Chevy Express 2010 Storage Package\ File: 934-0557A Date: Friday, October 12, 2012 11:31:56 AM DESCRIPTION:		
THE INFORMATION CONTAINED WITHIN THIS DRAWING IS PROPRIETARY AND CONFIDENTIAL. AND IS THE SOLE PROPERTY OF DandR ELECTRONICS CO. LTD. IT MAY NOT BE REPRODUCED AT WHOLE OR IN PART WITHOUT THE WRITTEN PERMISSION OF DandR ELECTRONICS CO. LTD.			<h2 style="margin: 0;">Chevy Express 2010 Storage Package</h2>		
FINISH Midnight Black Wrinkle		MATERIAL 0.090" / 0.125" ALUM		MFG. NO. 934-0557A	CATALOG. NO.
USED ON:				SHEET 2 OF 2	
				REV.	0