

**GENESIS SYNC FLASHING
LED Light Modules**

READ BEFORE INSTALLATION and OPERATION

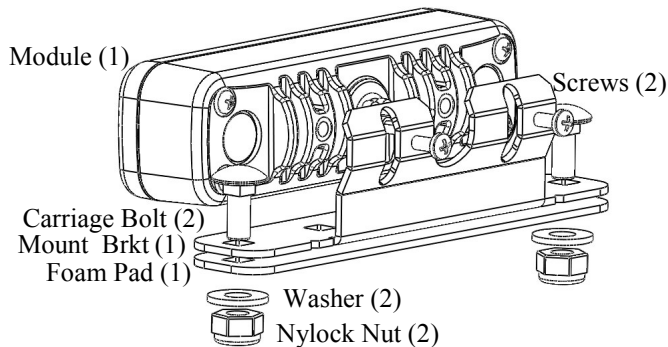
The Genesis Technology LED Light Module must be properly installed in accordance with this document to ensure safe installation and operation. Fully read and understand the information contained in this document before attempting to install or operate the device.

- **Installation of this device requires a good understanding of automotive electronics, systems and procedures. It is recommended a trained technician perform the installation.**
- **This product may require drilling of mount holes into the vehicle and the installer MUST ensure vehicle structural integrity or vital parts not be damaged in the process.**
- **Ensure installed device(s) properly operate simultaneously with existing electronic equipment. Never wire emergency warning devices on radio communication equipment circuits**
- **The high intensity of this products LED's may have an adverse effect on human vision resulting in momentary blindness; do not stare directly into device lights**
- **Use ONLY soap and water to clean outer lens. Use of chemicals results in premature lens cracking and/or discolouration resulting in reduced performance. Inspect and replace lens immediately if cracks or crazing occurs. Never pressure wash device to clean.**
- **Regularly inspect and operated this device to ensure proper performance and safe mounting conditions.**

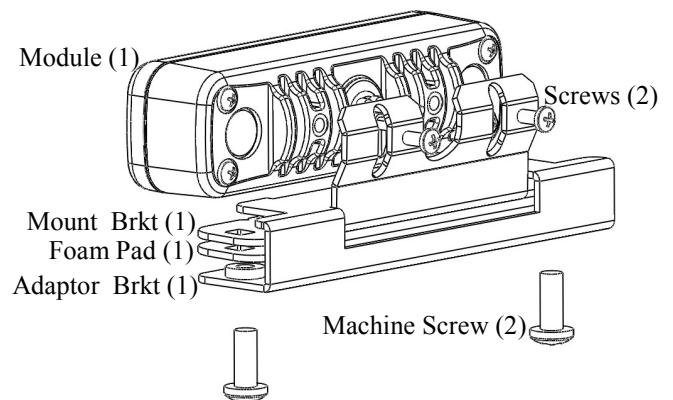
MOUNTING

There are two mounting options to provide exterior and interior vehicle installation

Direct Mount (Interior/Exterior)



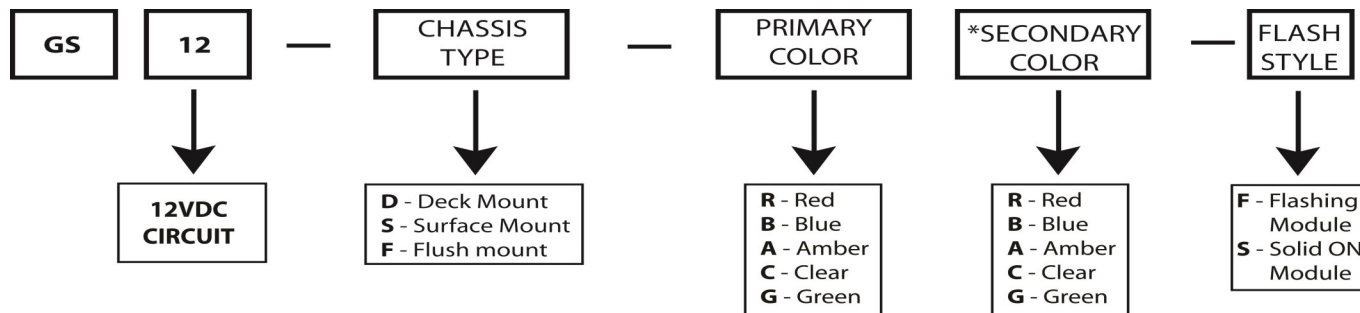
Clamp Mount (Exterior)



HARDWARE LIST

Assy Part #	Qty.	Description
411-0151	2	Machine Screw #10-32 x 1/2" Phillips SS
411-0153	2	Screw #6-32 x 1/4" Phillips Pan Head, SS
411-0065	2	Carriage Bolt, 10-24 x 1/2" Lg. SS
403-0028	2	Washer Flat, # 10, SS
432-0004	2	Hex Nut Nylock, 10-24, SS
936-0512A	1	Genesis Light Mount Bracket
936-0513A	1	Genesis Light Adaptor Bracket

PART NUMBER LEGEND



Example : GS12-D-RB-F

*** For Lights with Dual color**

WIRING INSTRUCTIONS

1. Customer supplied wires connecting to the power source **MUST** be rated 125% of maximum operating current. Inline fuses **MUST** be located at the battery positive terminal and have proper current and voltage rating. Do not use circuit breakers.
2. Adequate grounding is essential to ensure the product operates to maximum efficiency. It is recommended grounding be to the negative (-) terminal of the battery. If chassis grounding ensure contact point is free of paint, oil and debris and ground wire is securely fastened.
3. Ensure unused wires are insulated

IMPORTANT WARNING!

**CAUTION! NEVER LOOK DIRECTLY AT LIGHT BAR (LEDS) WHEN THEY ARE ON
MOMENTARY BLINDNESS AND/OR EYE DAMAGE COULD RESULT!**

FLASHING Module Wire Functions

Wire Color	Function	Operation
Red	Power	Power, (+) 12VDC
Black	Ground	(-) Ground, (frame or negative terminal of battery)
White	PC	Momentary contact for Pattern Change (+12VDC Ctrl)
Green	SYNC	Sync mode

LED Module Flash Patterns

*** - Factory default flash pattern**

1. Strobe Flash PH1*	10. Triple Flash Slow PH2	19. Double Burst
2. Strobe Flash PH2	11. Strobe Flash Slow PH1	20. Triple Burst
3. Quad Flash PH1	12. Strobe Flash Slow PH2	21. Slow Fast 1
4. Quad Flash PH2	13. Double Flash Slow PH1	22. Slow Fast 2
5. Double Flash PH1	14. Double Flash Slow PH2	23. Progressive
6. Double Flash PH2	15. Single Flash 60FPM	24. Multi-Flash
7. Single Flash PH1	16. Single Flash 90FPM	25. Color 1 Solid ON
8. Single Flash PH2	17. Single Flash 120FPM	26. Color 2 Solid ON
9. Triple Flash Slow PH1	18. Single Flash 300FPM	

**PH1— Phase 1 (ON: OFF: ON)
PH2— Phase 2 (OFF: ON : OFF)**

NOTE: Pattern # 1-14 is for Synchronization of multiple LED modules. For single color module pattern 25 is last pattern.

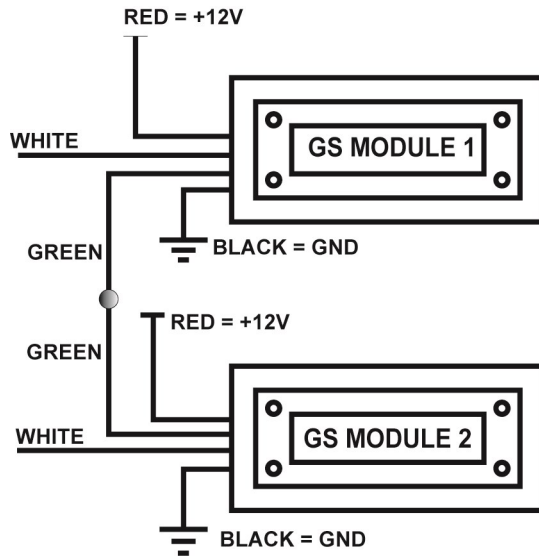
Pattern Change: From FLASH PATTERNS list choose the flash pattern to be used and note the position in the list (ex. Triple Burst has position 20). To change pattern, **tap for half a second** the WHITE wire to (+) 12 VDC as many times as the list position. For example, for “Triple Burst ” tap 20 times.

NOTE: If number of taps is more than 26 then the flash pattern change request will be ignored.

Synchronizing Multiple LED Module: This function is use to synchronous multiple lights module. GREEN wire from all units need to connect together. Flash pattern need to setup in same phase for flashing all LED module together, or flash pattern need to setup in different phase for flashing all LED module in alternate mode.

NOTE: Only pattern # 1-14 has Sync function compatibility. All synchronized LED modules need to be set on same kind of pattern in same or different phase. Follow below diagram for wiring.

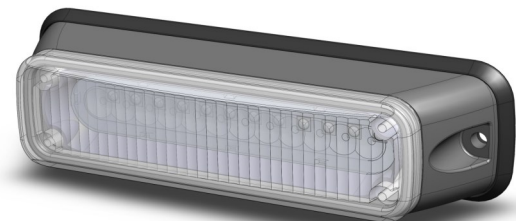
SYNC FLASH MODE:



ADDITIONAL MOUNT OPTIONS



GSF SERIES: Flush Mount



GSS SERIES: Surface Mount

WARRANTY

D & R Electronics warrants its new products to be free from defects in material and workmanship, under normal use and service for a period of one year on parts replacement. This warranty applies only to original purchasers acquiring the product directly from D&R Electronics, or its authorized dealers.

Warranty will not be recognized without proof of purchase or bill of sale.

This warranty is not transferable. The warranty begins on the date of delivery to the first user/purchaser. This warranty shall not apply to products which must be repaired due to normal wear and tear, negligence, improper installation, abuse, misuse, or which have been altered or modified at a facility other than D & R Electronics, or its authorized depot centers. Units proved to be defective within the warranty period, based on an examination by D&R Electronics, will be replaced or repaired at D & R Electronics' option. This warranty does not cover travel expenses or labor charges for removal or installation. Lamps, flash tubes, batteries or other items considered consumables are not covered under warranty.

This warranty is in lieu of all other express warranties. D&R Electronics makes no warranties, expressed or implied, other than the express warranties contained herein.

Any electronic device may create or be affected by electromagnetic interference. After installation of any electronics device operate all equipment simultaneously to insure that operation is free of interference. Never power emergency warning equipment from the same circuit or share the same grounding circuit with radio communication equipment.

PROPER INSTALLATION COMBINED WITH OPERATION TRAINING IN THE PROPER USE OF EMERGENCY WARNING DEVICES IS ESSENTIAL TO INSURE THE SAFETY OF EMERGENCY PERSONNEL AND THE PUBLIC.

PRODUCT RETURN POLICY

In order to provide you with faster service, product returns for repair or replacement, must have a **Return Goods Authorization Number (RGA number)**. Please contact our company to obtain a RGA number before you return the product to D & R ELECTRONICS. Write the RGA number clearly on the package. Be sure you use sufficient packing materials to avoid damage to the product being returned while in transit. D & R ELECTRONICS assumes no responsibility or liability for expenses incurred for the removal and/or the installation of products requiring service and/or repair. Repairing or replacing product is at the discretion of D & R ELECTRONICS Co. LTD.

CANADA
8820 George Bolton Pkwy.
Bolton, Ontario L7E 2Y4
Tel.: (905)951-9997

USA
2321 Kenmore Avenue
Buffalo New York 14207
Toll Free 1-800-538-7338
Fax: (905)951-0019