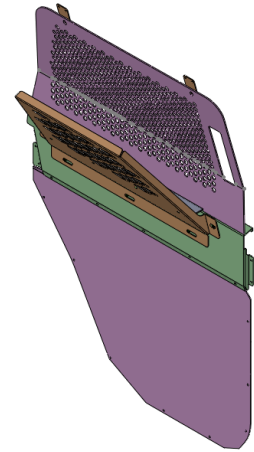
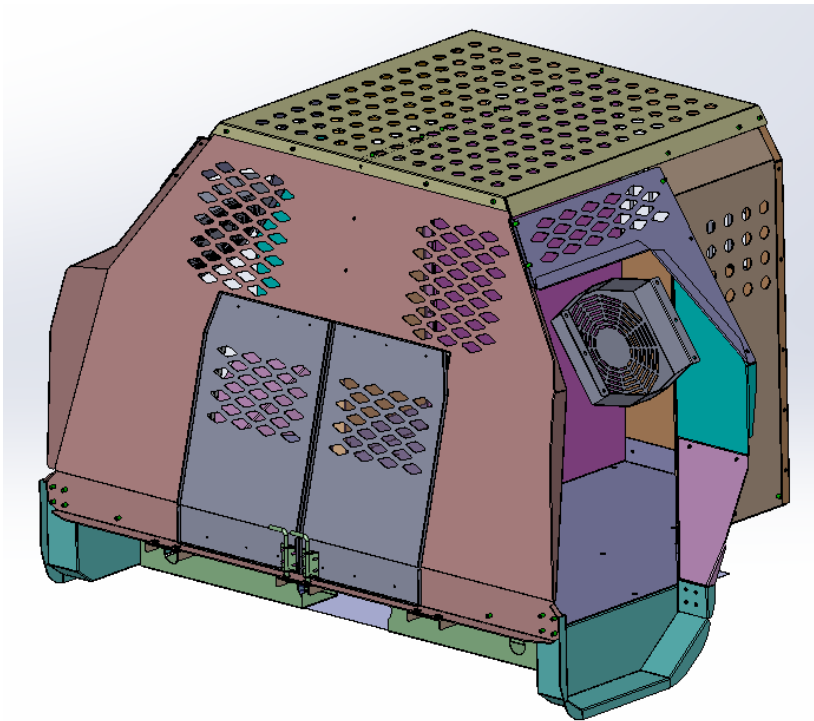




2016 Tahoe K9 Dual Kennel P/N 934-0810A

INSTALLATION MANUAL



CONTENTS

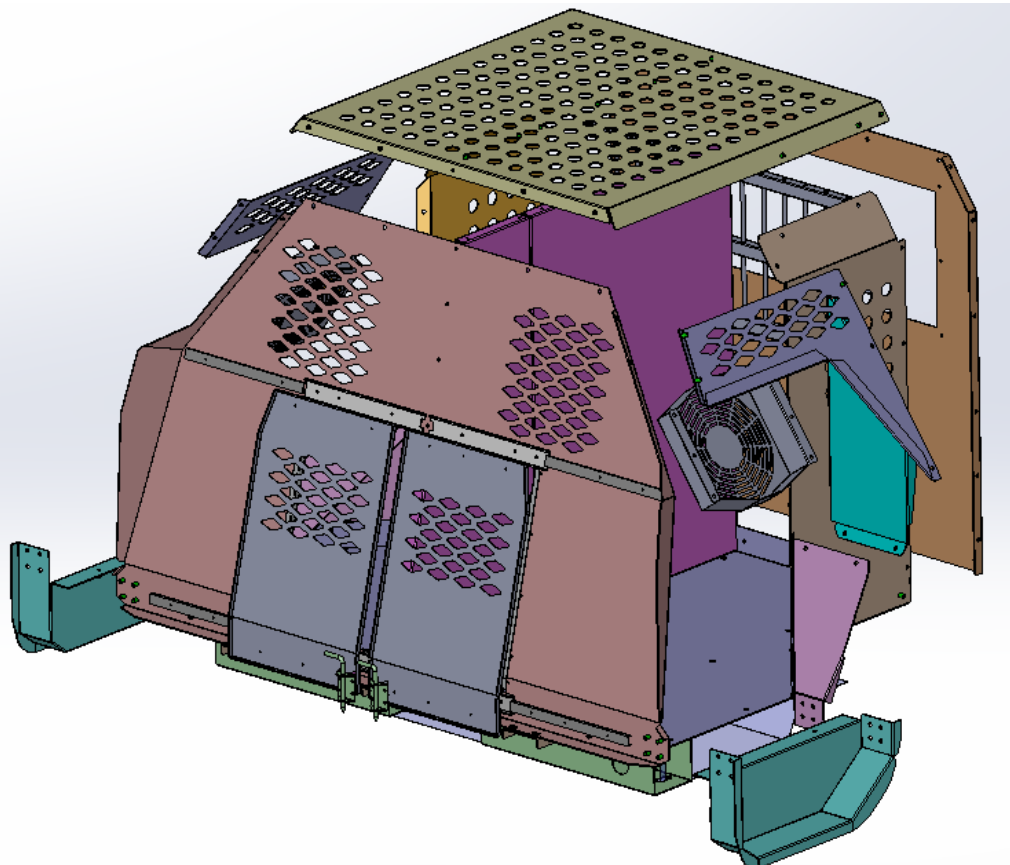
Unpacking	2
Installation	3
Warranty	7
Return Policy	7

UNPACKING

Before beginning any installation, unpack the equipment received. After unpacking, examine **ALL** components received for any damage that may have occurred while in transit. If any damage has occurred, file a claim **IMMEDIATELY** with the courier stating the extent of damage. Check **ALL** envelopes, packing slips, shipping labels and tags before removing or destroying them. To ensure your satisfaction, open all cartons and report any shortages **within 48 hours of receipt.**

HARDWARE PARTS LIST

Quantity	Description
75	1/4-20 x 3/4" Round Head Screws
75	1/4-20 Lock Washer
75	1/4-20 Flat Washer
6	1/4-20 x 1" Carriage Bolts (Kennel)
6	1/4-20 Flat Washer (Kennel)
6	1/4-20 Nyloc Nuts (Kennel)
14	1/4-20 Flat Washer (Win. Cover)
14	1/4-20 Nyloc Nut (Win. Cover)
6	#10-32 x 1/2" Flat Head Screw (Win. Cover)
4	1/4-20 Fender Washers (Win. Cover)



VEHICLE PREPARATION

Remove the 2 rear seats and set aside. Some Plastic floor panels may require removal as well. The removed seat bolts will be used to fasten the sub-frame to the floor. Remove Driver and Passenger Side Rear door panels and set aside.

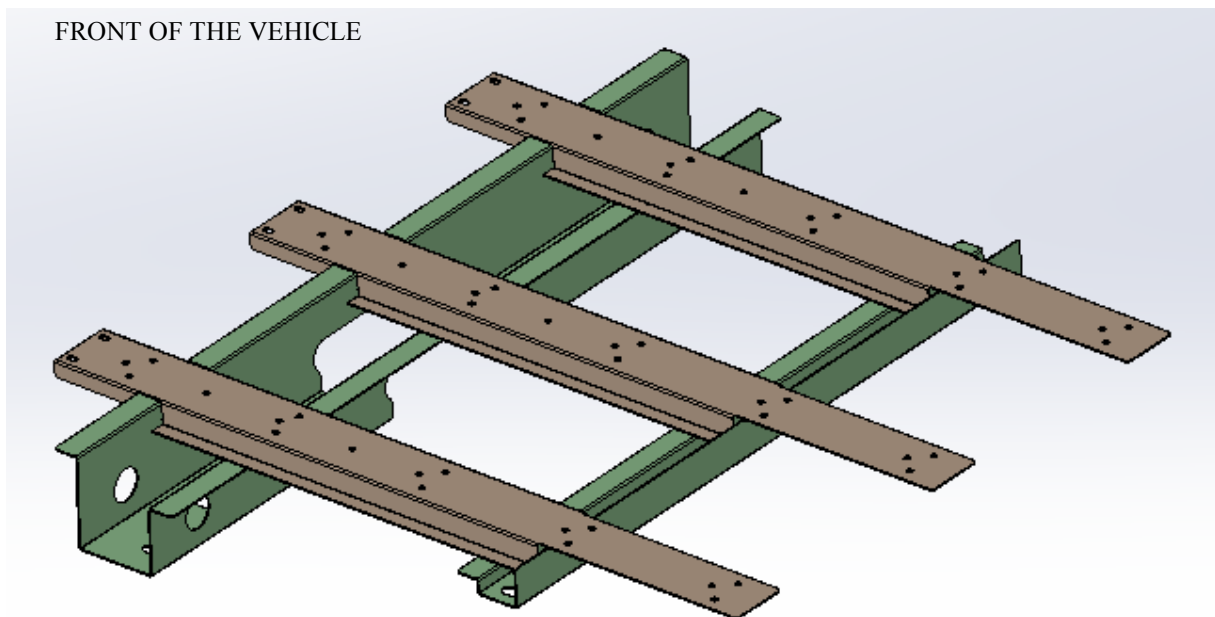
Contact D&R if you are unsure how to remove the Seats or Door Panels.

INSTALLATION OF K9 UNIT

Step 1

Sub-frame into Vehicle

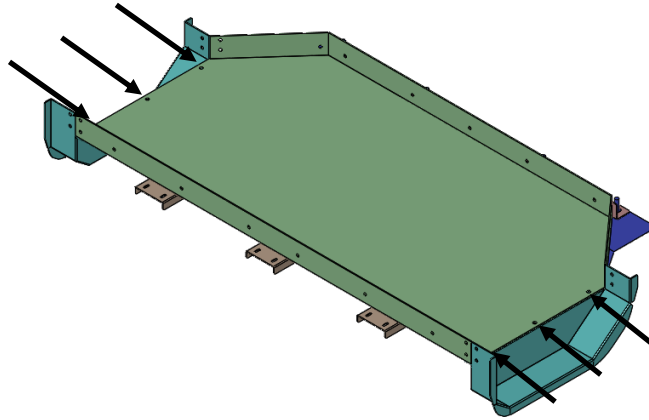
Place sub-frame over the seat mount holes and studs. Center the sub-frame & secure using all factory seat bolts and nuts.



Step 2

DS & PS Bottom Tray Assemblies to Sub-frame

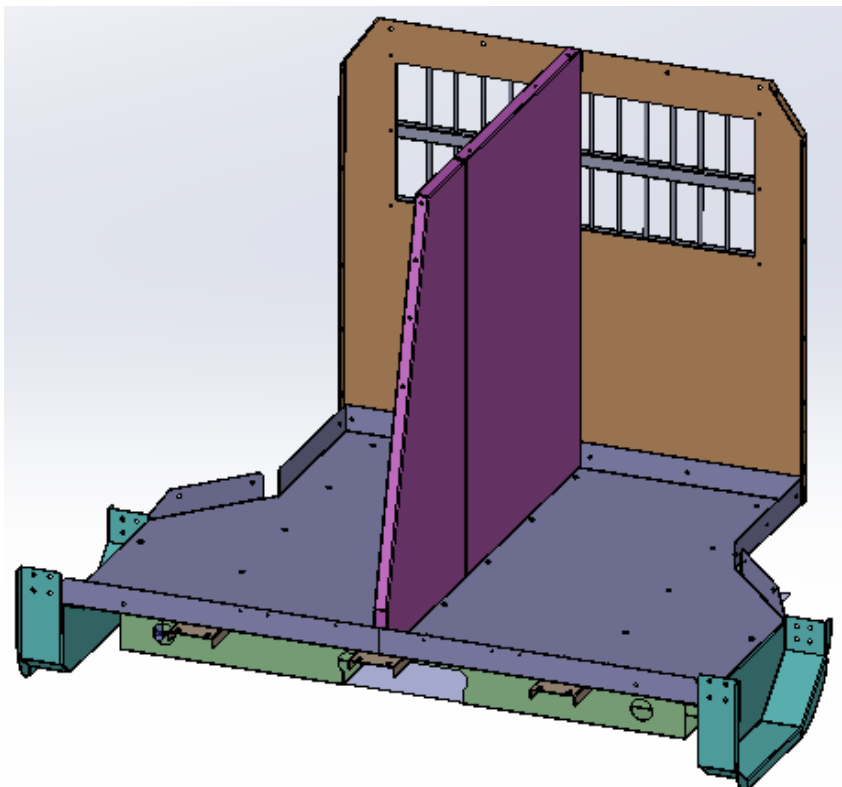
Place bottom tray assemblies on the sub-frame as shown below starting with tray ends following base tray. Secure using 6x #10-32 x 5/8" flat head screws.



Step 3

Rear Panel to Bottom Trays and the walls

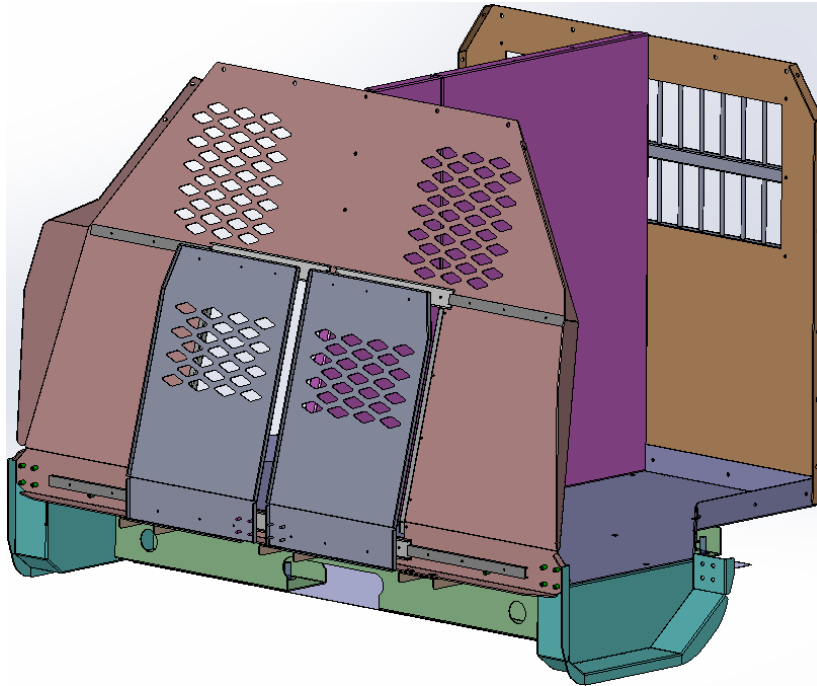
Place Rear panel on the bottom tray assemblies and secure along the bottom using 5x 1/4-20 x 3/4" Hex bolts and washers. Place Side and Upper filler panels DS & PS on the Rear Panel and Tray Ends and secure using 22 1/4-20 x 3/4" Hex Bolts and washers (11 per side). Arrows pointing in general locations where hardware will be placed.



Step 4

Front Panel Assembly to Bottom trays

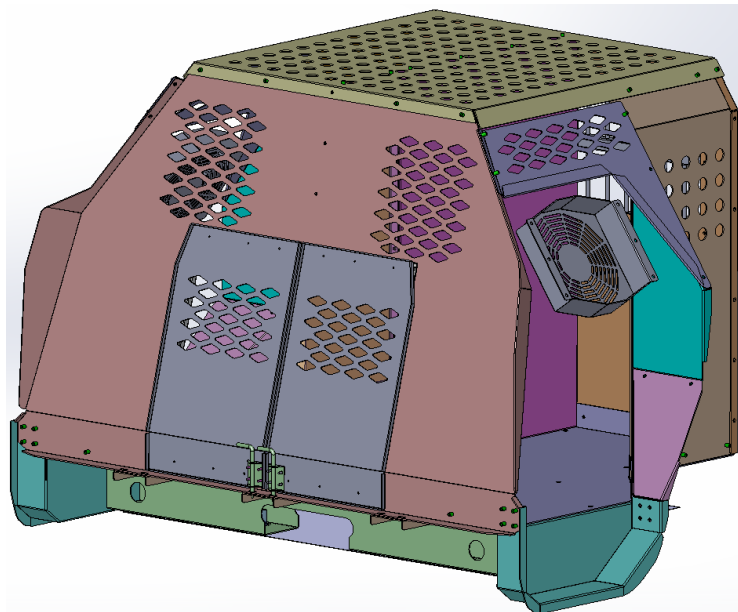
Similarly, install and secure the front panel assembly to the bottom tray and sub-frame using 20x 1/4-20 x 3/4" Hex bolt and washers. Install window bars on front panel using 8 x 1/4-20 x 3/4" Hex bolt, Flat Washer and Nyloc.



Step 4

Top Cover Panel to Rear and Front Panel, and Side Panel's Covers

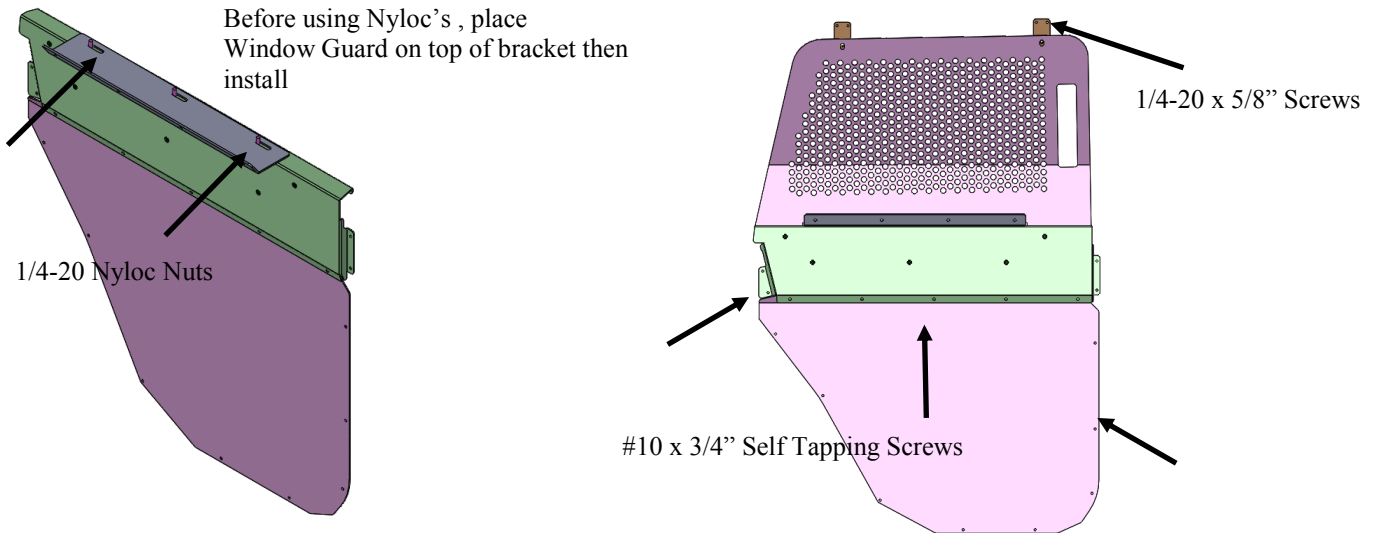
Place the top cover panel over the rear panel and front panel. Secure to the rear and front panel using 7x 1/4-20 x 3/4" Hex bolts and washers. Secure to the front panel using 5x 1/4-20 x 3/4" Hex bolts and washer. Lastly, attach the Side Door Exit Cover DS & PS and secure using 5x 1/4-20 x 3/4" Hex bolts and washers for each.



Step 5

Door Panel and Window Guard

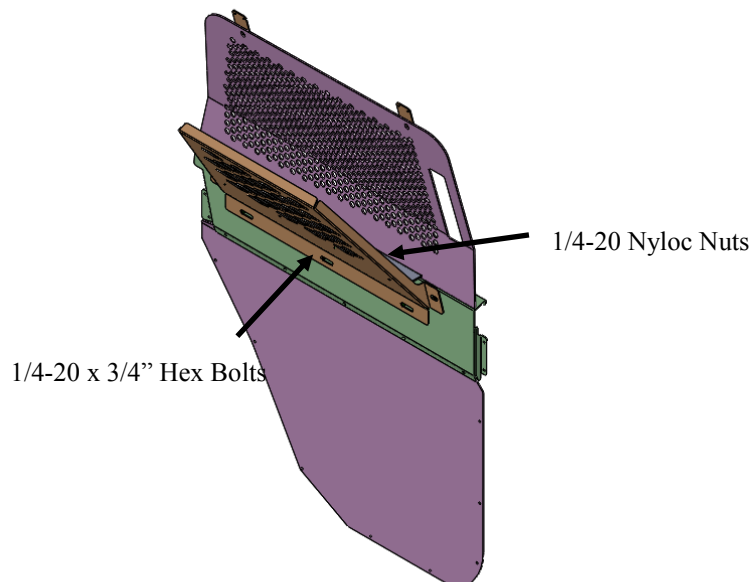
Install the middle bracket to the middle bracket and top window guard using 3x 1/4-20 Hex Bolts. Secure the window guard to the top brackets using 2x 1/4-20 x 5/8" Screws and washers. Install the door panel to the inside of the door using 21x #10 x 3/4" Self Tapping screws. Repeat for PS



Step 6

Bowl Holding Brkt

Install the Exit Window Panel on the door panel and secure using 5x 1/4-20 x 3/4" Hex bolts and washers for the front side and 4x 1/4-20 washer and Nyloc nuts for the back side of panel to the back bracket installed on step 5.



Step 7

Rubber Matting

Place Rubber Matting in Vehicle on the bottom trays.

The Installation procedure is now complete. Please contact D&R Electronics if you require further assistance or would like a soft copy of this publication.

WARRANTY

D & R Electronics warrants its new products to be free from defects in material and workmanship, under normal use and service for a period of one year on parts replacement and one year on labor. This warranty applies only to original purchasers acquiring the product directly from D&R Electronics, or its authorized dealers. Warranty will not be recognized without proof of purchase or bill of sale. This warranty is not transferable. The warranty begins on the date of delivery to the first user/purchaser. This warranty shall not apply to products which must be repaired due to normal wear and tear, negligence, improper installation, abuse, misuse, or which have been altered or modified at a facility other than D & R Electronics, or its authorized depot centers. Units proved to be defective within the warranty period, based on an examination by D&R Electronics, will be replaced or repaired at D & R Electronics' option. This warranty does not cover travel expenses or labor charges for removal or installation. Lamps, flash tubes, batteries or other items considered consumables are not covered under warranty. This warranty is in lieu of all other express warranties. D&R Electronics makes no warranties, expressed or implied, other than the express warranties contained herein.

PRODUCT RETURN POLICY

In order to provide you with faster service, product returns for repair or replacement, must have a **Return Goods Authorization Number (RGA number)**. Please contact our company to obtain a RGA number before you return the product to D & R ELECTRONICS. Write the RGA number clearly on the package. Be sure you use sufficient packing materials to avoid damage to the product being returned while in transit. D & R ELECTRONICS assumes no responsibility or liability for expenses incurred for the removal and/or the installation of products requiring service and/or repair. **Repairing or replacing product is at the discretion of D & R ELECTRONICS.**

D&R ELECTRONICS Co. LTD.

CANADA

8820 George Bolton Pkwy.
Bolton, Ontario L7E 2Y4

Tel.: (905)951-9997
Fax: (905)951-0019

USA

2321 Kenmore Ave
Buffalo, NY, 14207

Toll Free 1-800-538-7338

www.dandrelectronics.com