

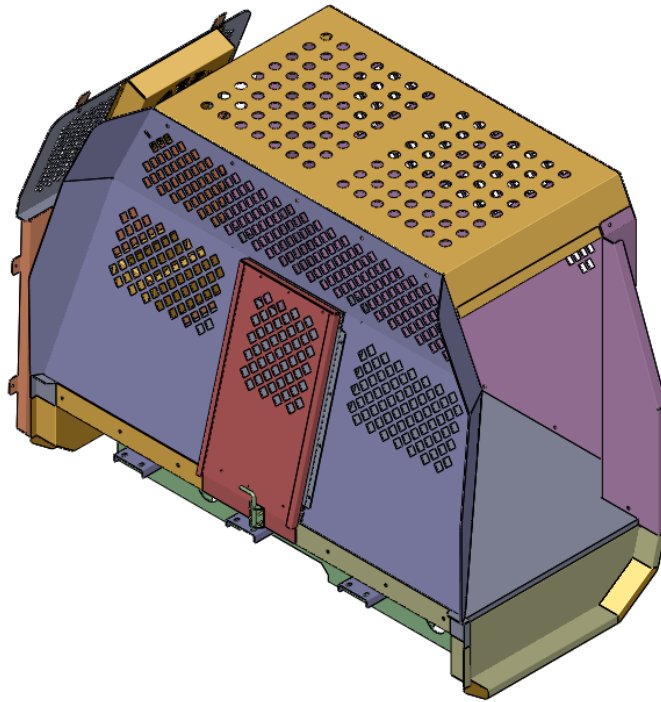


ELECTRONICS CO. LTD.
EMERGENCY VEHICLE SOUND, LIGHTING & EQUIPMENT

Chevy Suburban K9 Kennel

P/N 934-0746A

INSTALLATION MANUAL



CONTENTS

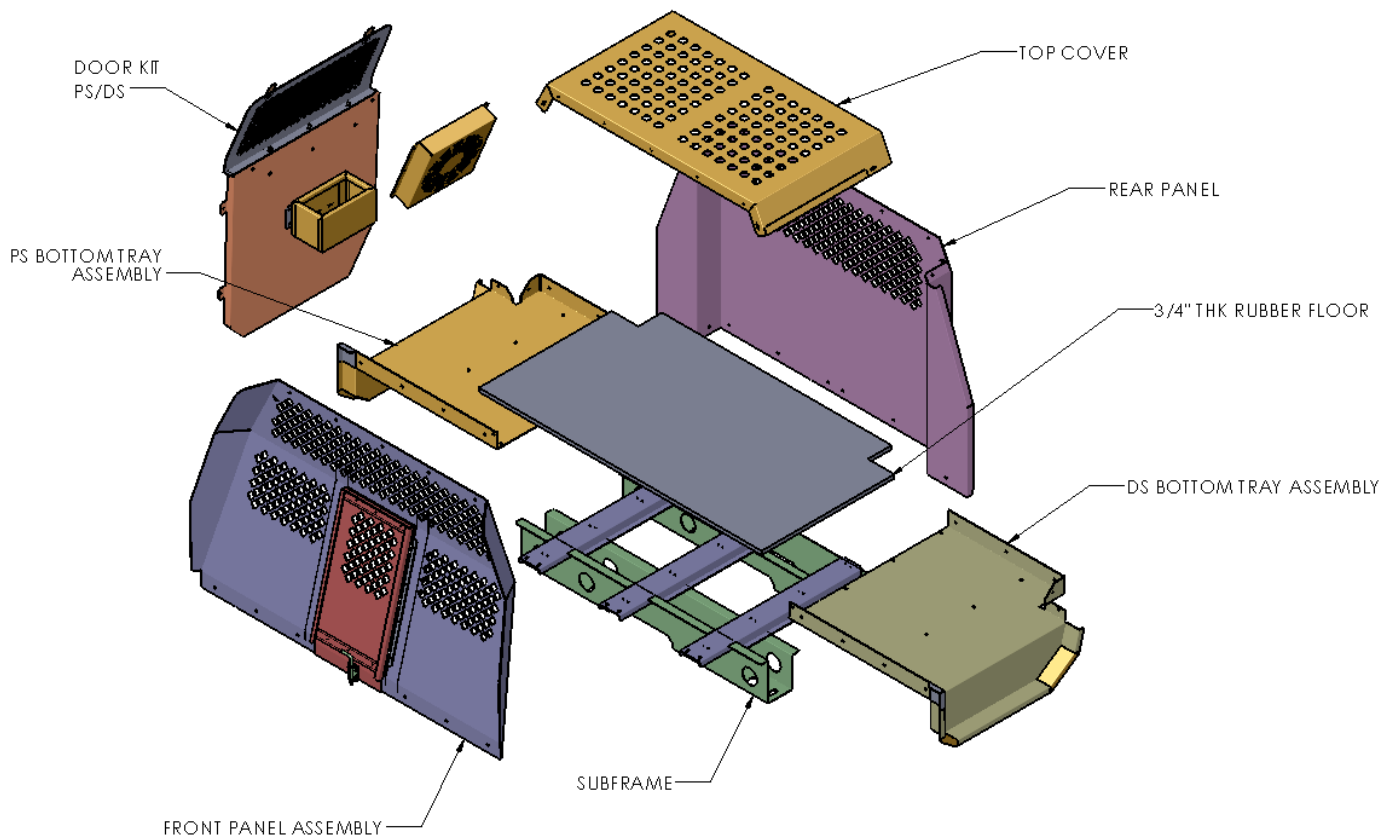
Unpacking	2
Installation	3
Warranty	7
Return Policy	7

UNPACKING

Before beginning any installation, unpack the equipment received. After unpacking, examine **ALL** components received for any damage that may have occurred while in transit. If any damage has occurred, file a claim **IMMEDIATELY** with the courier stating the extent of damage. Check **ALL** envelopes, packing slips, shipping labels and tags before removing or destroying them. To ensure your satisfaction, open all cartons and report any shortages **within 48 hours of receipt.**

HARDWARE PARTS LIST

Quantity	Description
32	1/4-20 x 3/4" Round Head Screws
8	1/4-20 x 5/8" Round Head Screws
4	1/4-20 x 3/4" Carriage Bolt
32	1/4-20 Lock Washer
48	1/4-20 Flat Washer
13	1/4-20 Nyloc Nuts
16	#10-32 x 5/8" Flat Head Screws
10	#10 x 3/4" Self Tapping Screw



VEHICLE PREPARATION

Remove the 2 rear seats and set aside. Some Plastic floor panels may require removal as well. The removed seat bolts will be used to fasten the sub-frame to the floor. Remove Driver and Passenger Side Rear door panels and set aside.

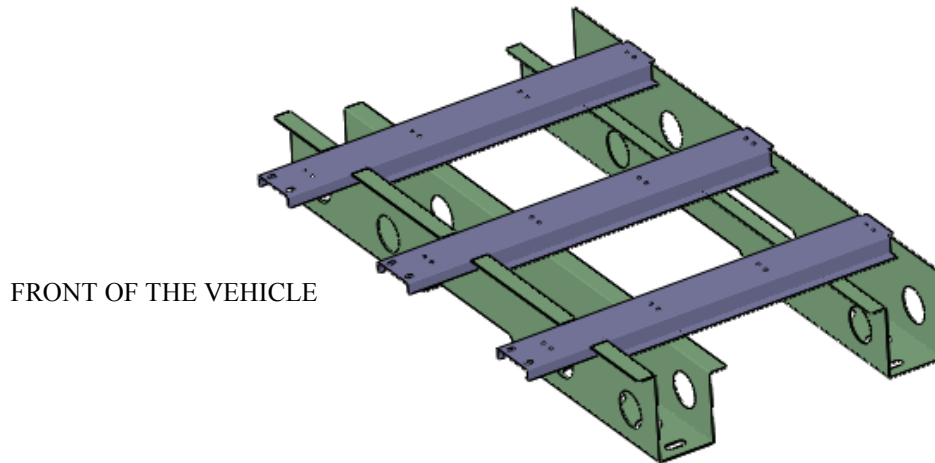
Contact D&R if you are unsure how to remove the Seats or Door Panels.

INSTALLATION OF K9 UNIT

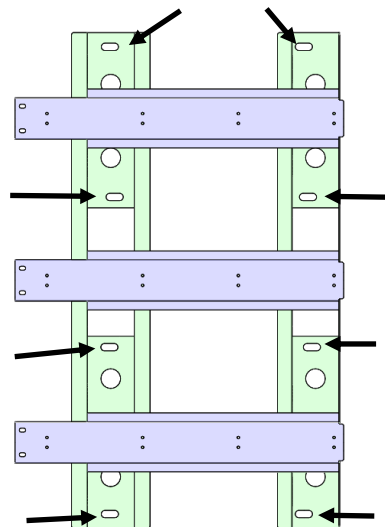
Step 1

Sub-frame into Vehicle

Place sub-frame over the seat mount holes and studs. Center the sub-frame & secure using all factory seat bolts and nuts.



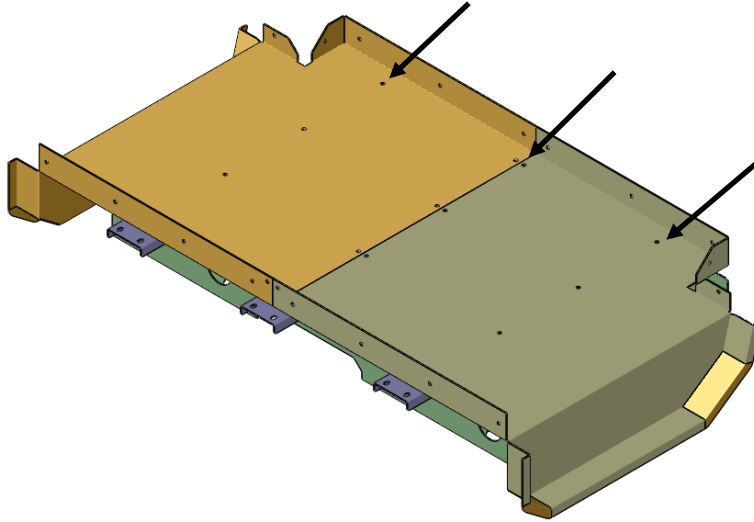
SUBFRAME MOUNTING POINTS
SECURE USING FACTORY HARDWARE



Step 2

DS & PS Bottom Tray Assemblies to Subframe

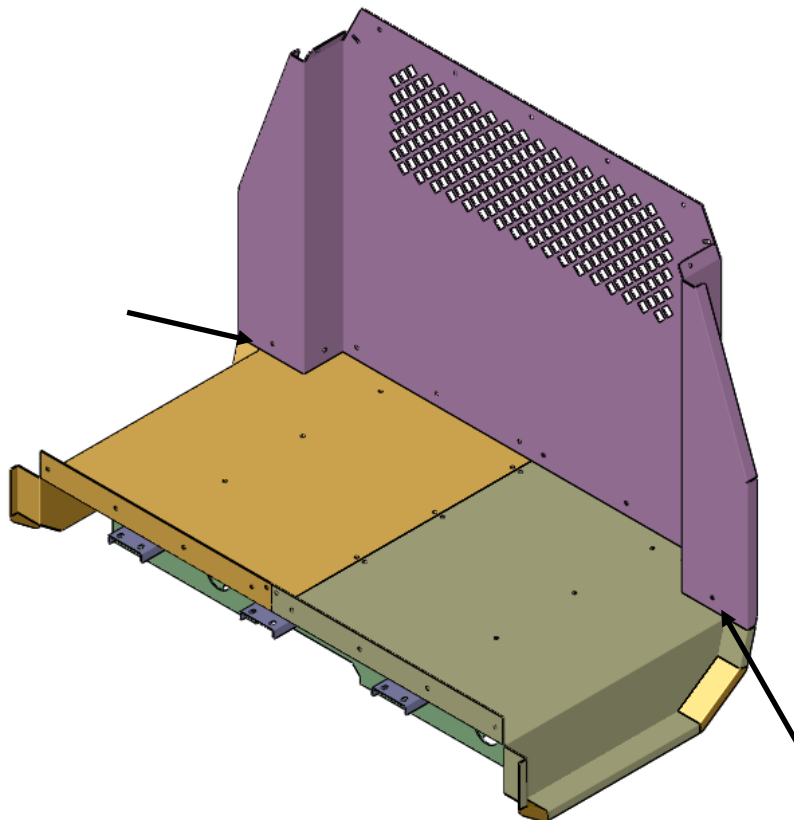
Place bottom tray assemblies on the subframe as shown below. Secure using 16x #10-32 x 5/8" flat head screws.



Step 3

Rear Panel to Bottom Trays

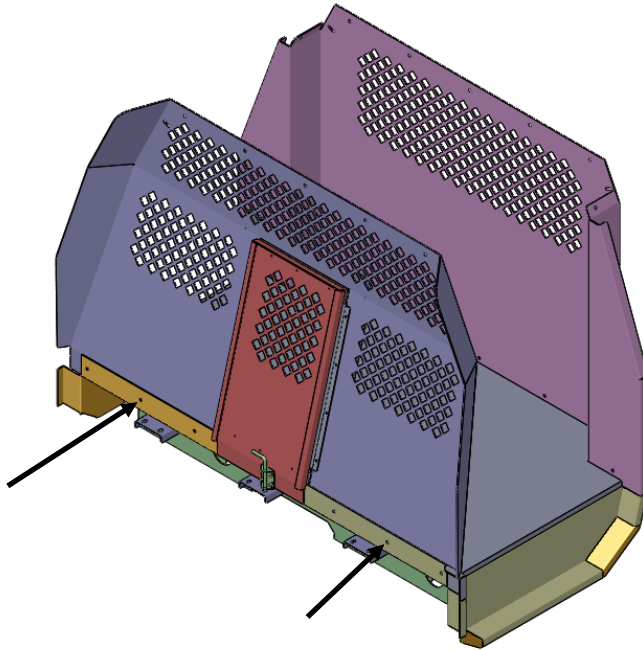
Place Rear panel on the bottom tray assemblies and secure along the bottom using 10x 1/4-20 x 3/4" Hex bolts and washers.



Step 4

Front Panel Assembly to Bottom trays

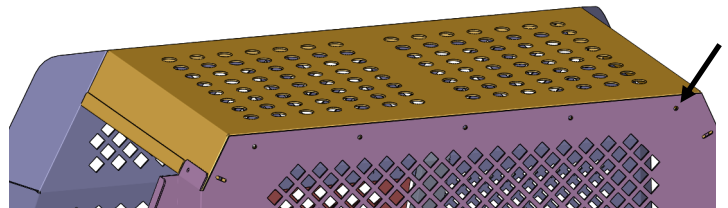
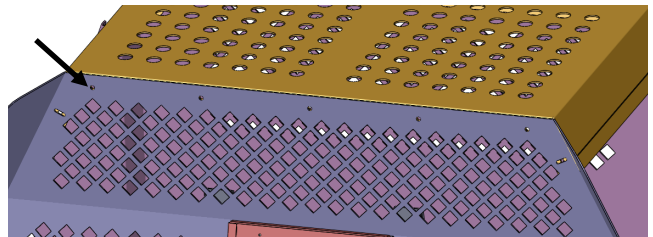
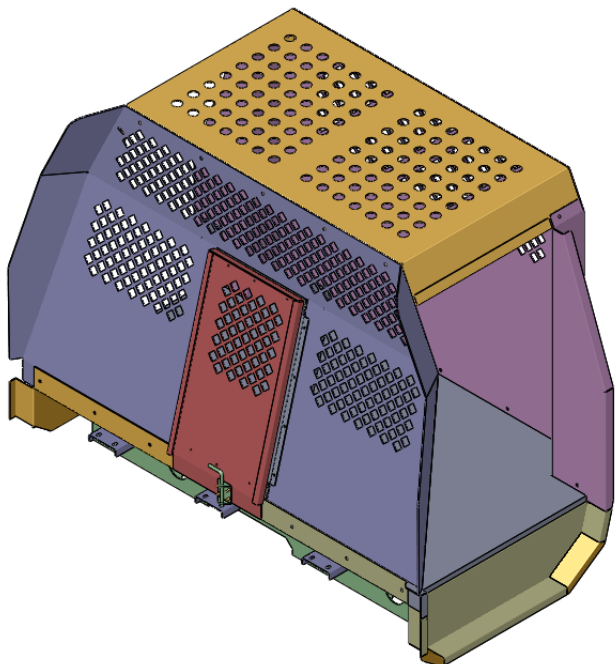
Similarly, install and secure the front panel assembly to the bottom trays using 8x 1/4-20 x 3/4" Hex bolt and washers



Step 4

Top Cover Panel to Rear Panel and Front Panel.

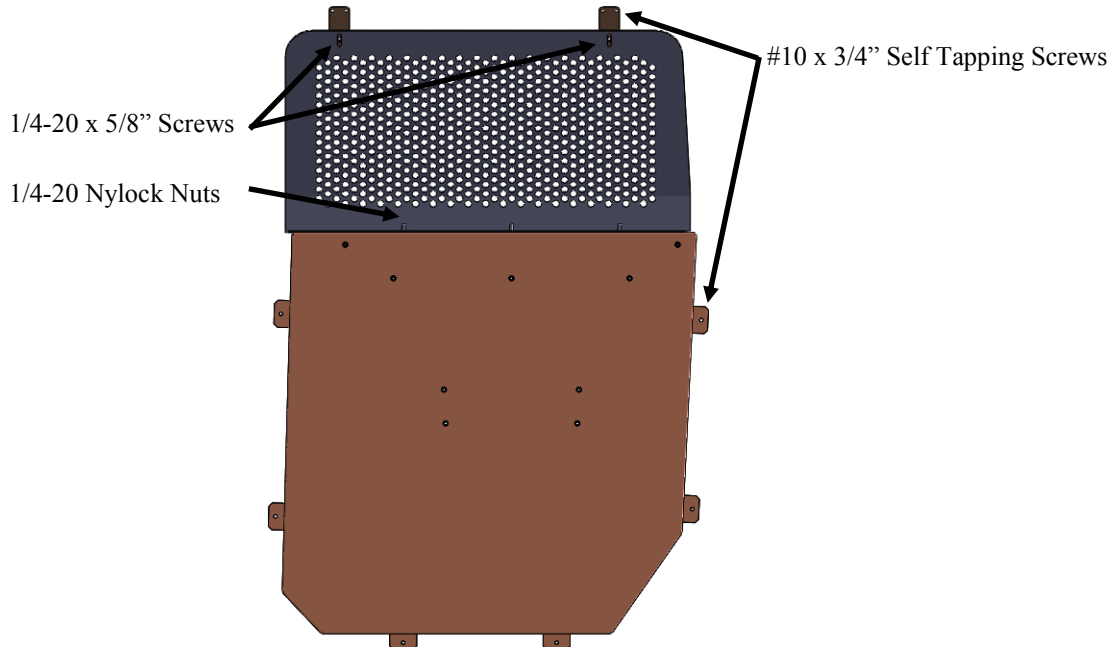
Place the top cover panel between the rear panel and front panel. Secure to the rear and front panel using 10x 1/4-20 x 3/4" Hex bolts, 4x 1/4-20 Nylock Nuts & 4x 1/4-20 X 3/4" Carriage Bolts (for slots) and washers.



Step 5

Door Panel and Window Guard

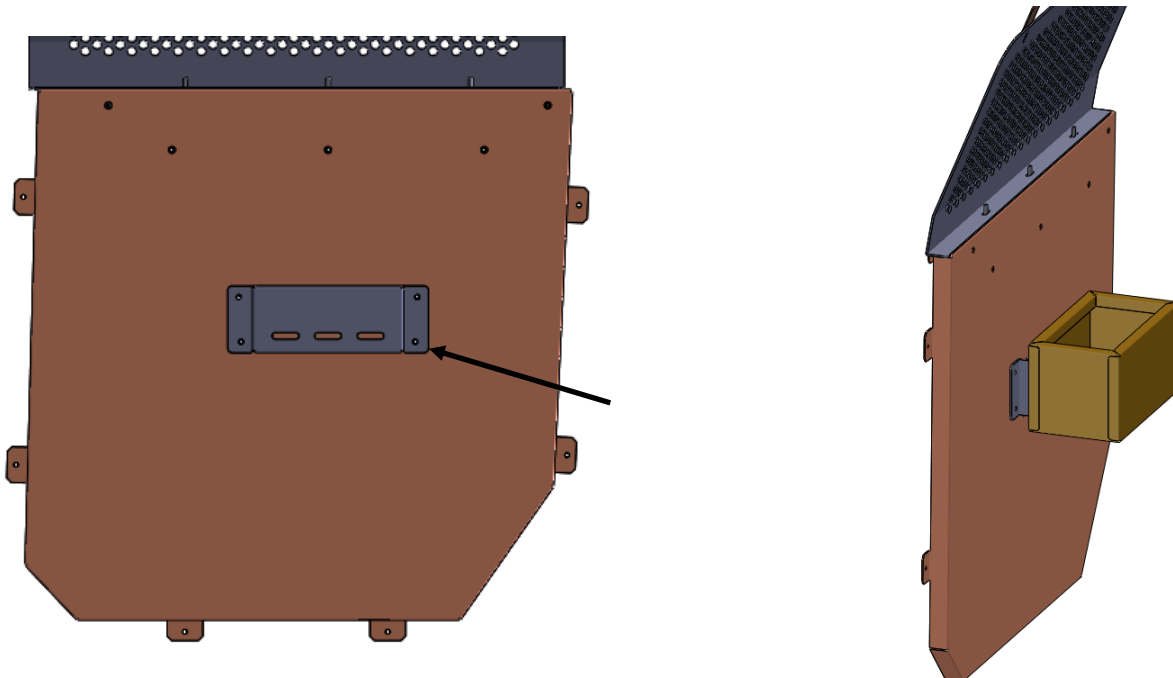
Install the door panel and window guard on the PS door as shown below using 10x #10 x 3/4" self tapping screws. Secure the window guard to the top brackets using 2x 1/4-20 x 5/8" Screws and washers and to the door panel using 3x 1/4-20 Nylock nuts and washers. Repeat for DS



Step 6

Bowl Holding Brkt

Install the bowl holding brkt on the door panel and secure using 4x 1/4-20 x 3/4" Hex bolts and washers. Then, mount the water bowl in place.



Step 7

Rubber Matting

Place Rubber Matting in Vehicle on the bottom trays.

The Installation procedure is now complete. Please contact D&R Electronics if you require further assistance or would like a soft copy of this publication.

WARRANTY

D & R Electronics warrants its new products to be free from defects in material and workmanship, under normal use and service for a period of one year on parts replacement and one year on labor. This warranty applies only to original purchasers acquiring the product directly from D&R Electronics, or its authorized dealers. Warranty will not be recognized without proof of purchase or bill of sale. This warranty is not transferable. The warranty begins on the date of delivery to the first user/purchaser. This warranty shall not apply to products which must be repaired due to normal wear and tear, negligence, improper installation, abuse, misuse, or which have been altered or modified at a facility other than D & R Electronics, or its authorized depot centers. Units proved to be defective within the warranty period, based on an examination by D&R Electronics, will be replaced or repaired at D & R Electronics' option. This warranty does not cover travel expenses or labor charges for removal or installation. Lamps, flash tubes, batteries or other items considered consumables are not covered under warranty. This warranty is in lieu of all other express warranties. D&R Electronics makes no warranties, expressed or implied, other than the express warranties contained herein.

PRODUCT RETURN POLICY

In order to provide you with faster service, product returns for repair or replacement, must have a **Return Goods Authorization Number (RGA number)**. Please contact our company to obtain a RGA number before you return the product to D & R ELECTRONICS. Write the RGA number clearly on the package. Be sure you use sufficient packing materials to avoid damage to the product being returned while in transit. D & R ELECTRONICS assumes no responsibility or liability for expenses incurred for the removal and/or the installation of products requiring service and/or repair. **Repairing or replacing product is at the discretion of D & R ELECTRONICS.**

D&R ELECTRONICS Co. LTD.

CANADA

8820 George Bolton Pkwy.
Bolton, Ontario L7E 2Y4

Tel.: (905)951-9997
Fax: (905)951-0019

USA

2321 Kenmore Ave
Buffalo, NY, 14207

Toll Free 1-800-538-7338

www.dandrelectronics.com