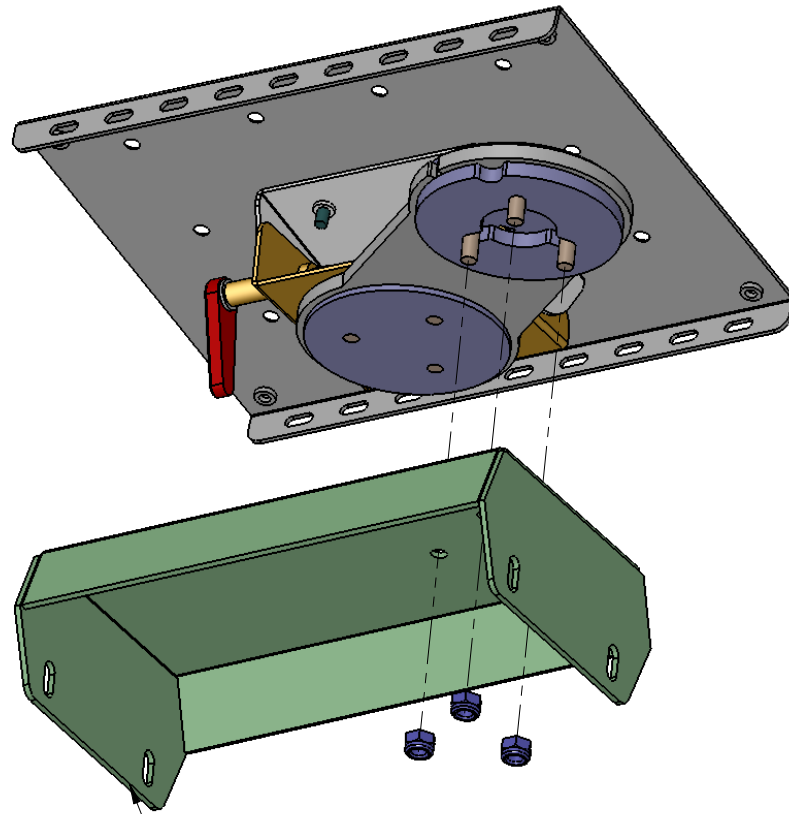
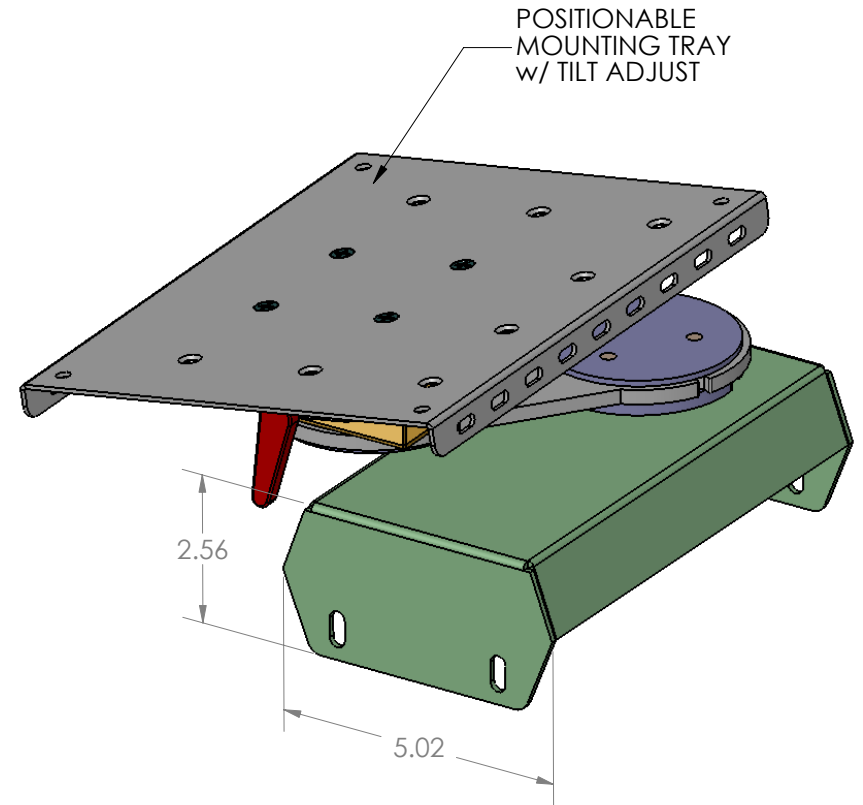


REV.	DESCRIPTION	DATE	APPROVED
1	#806-0720B Was #806-0720A	FEB22/10	AD



Arm Mtg Plate-B  
#806-0720B



POSITIONABLE  
MOUNTING TRAY  
w/ TILT ADJUST

**NOTE:**

- HARDWARE PACKING LIST;**  
 4 - Carriage bolt 1/4-20 x 3/4" (#401-0043)  
 4 - 1/4-20 Nyloc nut Zinc (#422-0009)  
 4 - 1/4-20 Flat Washer S.A.E (#403-0005)

DIMENSIONS ARE IN INCHES TOLERANCES: FRACTIONAL $\pm 1/32$ ANGULAR: $\pm .10^\circ$ TWO PLACE DECIMAL $\pm .010$ THREE PLACE DECIMAL $\pm .005$		NAME MG	DATE		DANDR-ANSI-A REV1 APRIL 23, 2007
MATERIAL		CHECKED	COMMENTS:		<b>LT7600 Swing Arm Laptop Mount (No Lock)</b>
FINISH Midnight Black Wrinkle		Path: M:\MECH_DATA\906 Laptop Mount\LT7600 Swing Arm Mount 906-0129A File: 906-0129B Date: Tuesday, February 23, 2010 1:25:57 PM SIZE DWG. NO.			REV. 1
USED ON:				SHEET 1 OF 1	