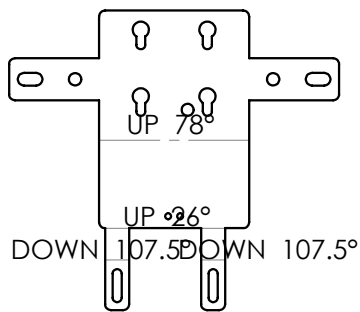
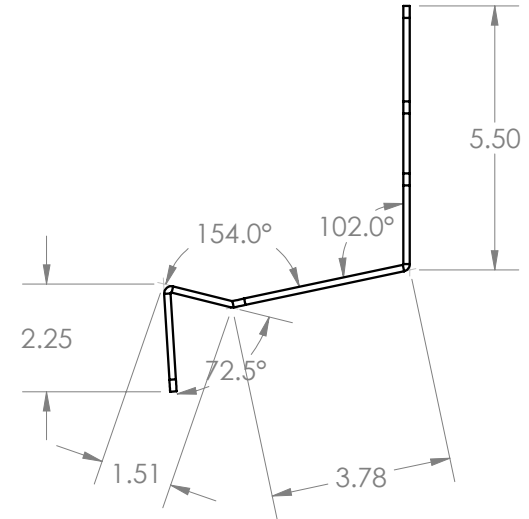
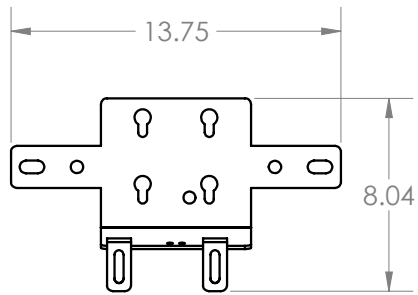
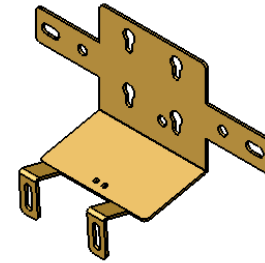
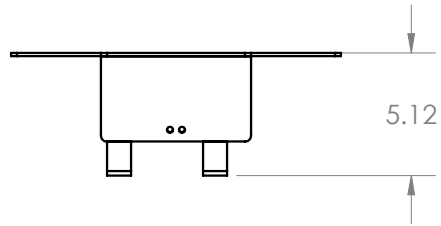


REV.	DESCRIPTION	DCR	BY	DATE	APPROVED



FLAT PATTERN

	NAME	DATE	 ELECTRONICS CO.	DANDR-ANSI-A	SIZE
DRAWN	MS	2/2/17		REV2	A
CHECKED	AD	2/2/17	Path: Y:\M\MECH_DATA\935 Speaker Brackets\935-0081A\ File: 935-0081A Date: February-09-17 9:43:49 AM	APRIL 1, 2009	
THE INFORMATION CONTAINED WITHIN THIS DRAWING IS PROPRIETARY AND CONFIDENTIAL. AND IS THE SOLE PROPERTY OF DandR ELECTRONICS CO. LTD. IT MAY NOT BE REPRODUCED AT WHOLE OR IN PART WITHOUT THE WRITTEN PERMISSION OF DandR ELECTRONICS CO. LTD.			DESCRIPTION: 2017 Ford F250 Speaker Bracket		
FINISH			MFG. NO.	CATALOG. NO.	
XX			935-0081A	XXX	
			USED ON:		SHEET 1 OF 1
			9XX-XXXX		
			MATERIAL		REV.
			10ga SS		0