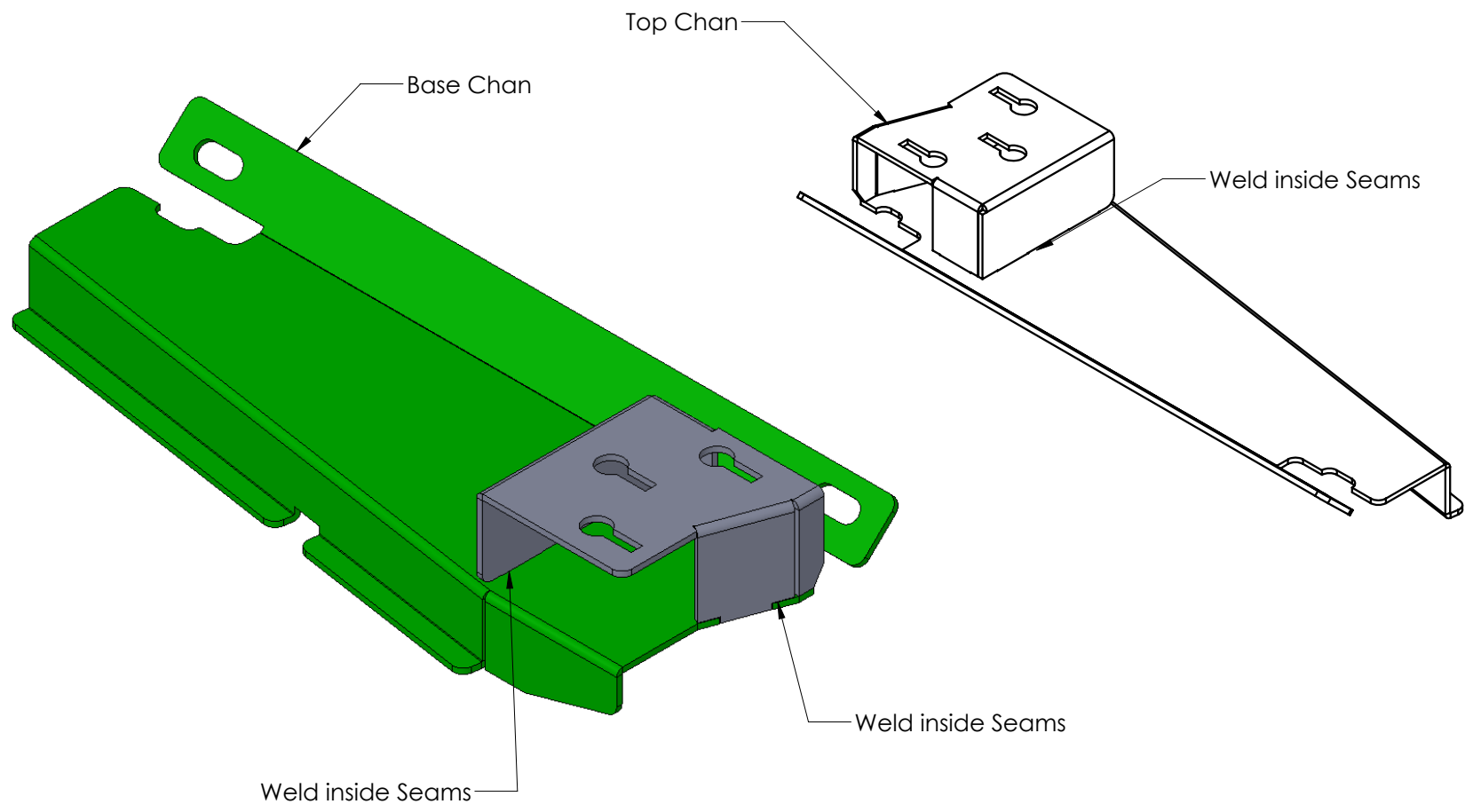



REV.	DESCRIPTION	BY	DATE	APPROVED



	NAME	DATE	 <b>ELECTRONICS CO., LTD.</b> DANDR-ANSI-A REV2 APRIL 1, 2009	SIZE
DRAWN	BW	27NOV12		A
CHECKED			Path: \\server-file\data\MECH ENG\MECH_DESIGN\2012 Dodge Durango LT6600 Mnt\ File: 906-0219A Date: Tuesday, December 04, 2012 2:21:26 PM	
THE INFORMATION CONTAINED WITHIN THIS DRAWING IS PROPRIETARY AND CONFIDENTIAL. AND IS THE SOLE PROPERTY OF DandR ELECTRONICS CO. LTD. IT MAY NOT BE REPRODUCED AT WHOLE OR IN PART WITHOUT THE WRITTEN PERMISSION OF DandR ELECTRONICS CO. LTD.			DESCRIPTION: <p style="text-align: center;"><b>906-0219A</b></p>	
			MFG. NO. <b>906-0219A</b>	CATALOG. NO. <b>XXX</b>
			USED ON: <b>9XX-XXXX</b>	SHEET 1 OF 1
FINISH	Midnight Black Wrinkle		MATERIAL	<b>10ga CRS</b>
			REV.	<b>0</b>