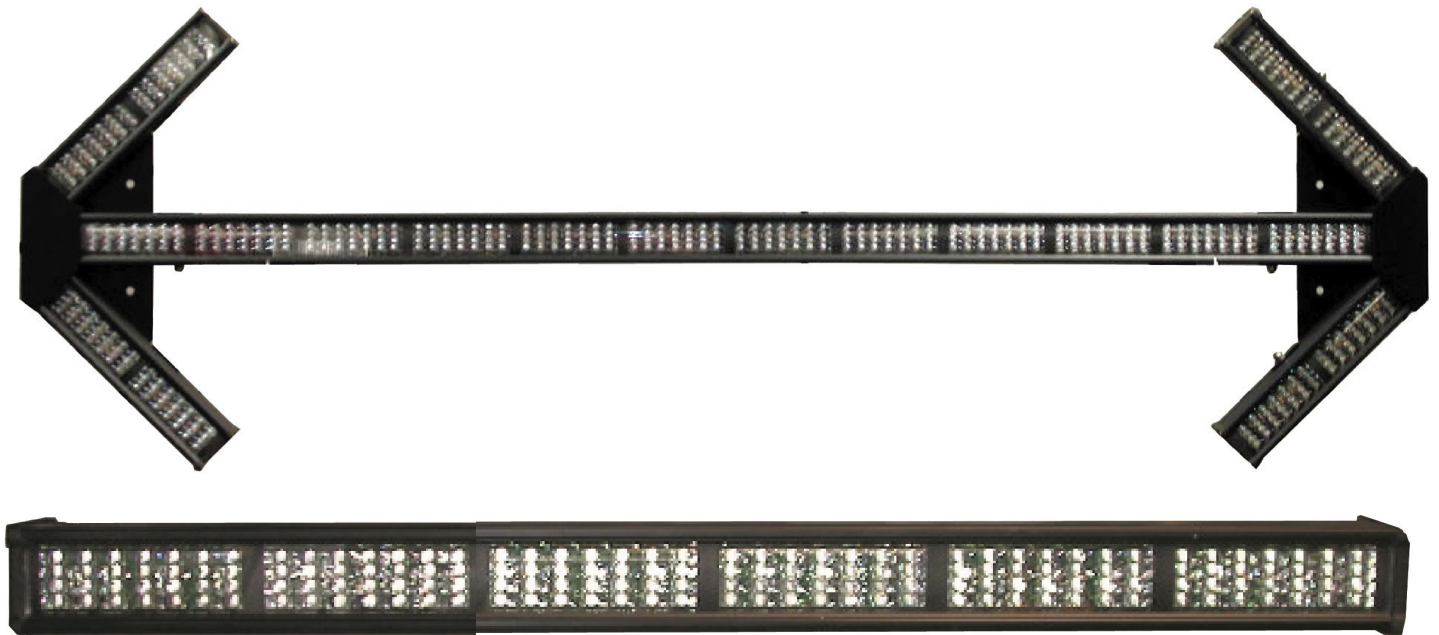


TRAFFIC DIRECTOR

INSTALLATION MANUAL



Content	Page No.
Unpacking	2
Different Models	3
Installation	5
Maintenance	8
Warranty and Return Policy	10
Added Supplement—Wiring Diagram	Separate Page

Unpacking

Before beginning any installation, unpack the equipment received. After unpacking, examine **ALL** components received for any damage that may have occurred while in transit. If any damage has occurred, file a claim **IMMEDIATELY** with the courier stating the extent of damage. Check **ALL** envelopes, packing slips, shipping labels and tags before removing or destroying them. To ensure your satisfaction, open all cartons and report any shortages **within 48 hours of receipt**.

Parts List

Part #	Description	Qty
812-0015B	Arrow End Plate, (New)	2
645-0029-11-02	LED Traffic Director Stick 20Td Amber Gen II W/ Arrow tips External Controller Wt.	1
635-0012-01-02	As5500 Ext Controller 12 Out, Aux Out, Phone Plug	1
670-000-01-02	Touchpad As5500, External	1
801-0006	Console "L" Bracket	2
936-0200A	Bracket Dash Bracket 1200H/V, Ra4000, As5500	1

Note: 1. Arrow end plates are only supplied with traffic director with arrow.
2. External controller is supplied only with external controlled traffic director.

Hardware List

Part #	Description	Qty
411-0031	Bolt 1/4-20 X 1/2" Hex/S.S.	4
413-0018	Washer 1/4 Flat 18.8 S.S.	4
432-0002	Nut 1/4-20 Nyloc S.S.	4

Different models

Traffic director kit split 3/3TD .



Traffic director kit split 4/4TD .



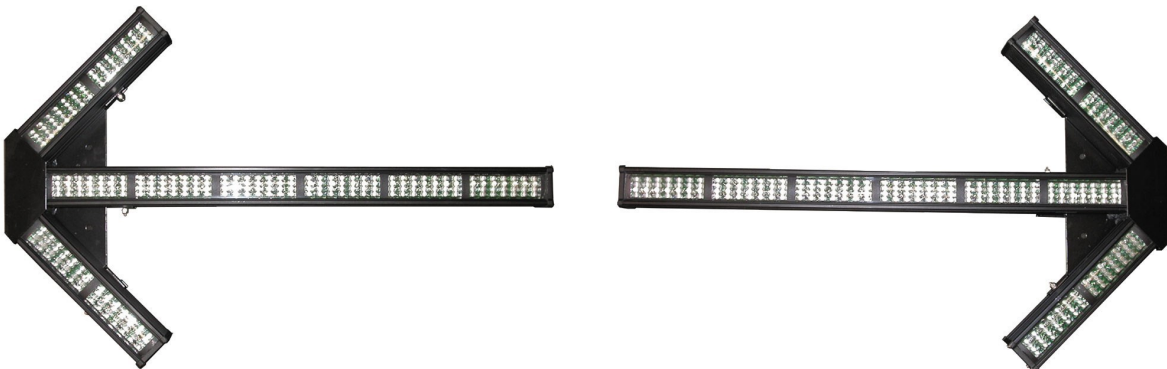
Traffic director kit 6TD



Traffic director kit split 8/8TD



Traffic director kit split 10/10TD



Traffic director kit 10TD



Traffic director kit 10TDT –w/tips



Traffic director kit 20TD



Traffic director kit 848TDT—w/ tips



Traffic director kit 848TD



Note: 1. All this Traffic director module is available with option of internal and external controller as per customer needs.

2. All traffic director is available in amber colour, but modification is possible with special request.

3. Above shown is standard models available, but custom design Traffic director with desire number of lights module is possible with special request.

4. D&R Electronics also gives the option of a custom built model to control traffic director from any other compatible controlling device such as D&R IQ system, RDS, or ELITE. Moreover, this traffic director can also be controlled by the D&R FPC8TL-PIC flasher.

General Warning

1. The use of emergency warning devices does not ensure the safety of the operator. The operator is responsible to ensure safe operation of the vehicle regardless of whether the warning device is in operation or not.
2. The effectiveness of this or any warning device is highly dependant on proper installation and maintenance. **Read the manufacturer's instructions before installing and follow all recommendations.**
3. When in use the operator must ensure that the warning signal is visible and not obstructed by vehicle components (i.e. open trunk lid), people or other obstructions.
4. This device is intended for use by authorized personnel only. The user is responsible for ensuring that all local, state/provincial and federal laws are being complied with. D&R assumes no liability for any loss resulting from the use of this device,
5. The device must be installed so as not to reduce the output performance of vehicle systems.
6. Placement of control switches must be so as to provide convenient reach for the operator while maintaining eye contact with the road.
7. Emergency warning devices require high electrical voltages and/or currents. Properly connect and ground all circuits. Shorting or improper grounding of this device may cause personal injury, vehicle damage or both.
8. **All operators should be properly trained in the operation of this device to ensure both their and public safety.**

Installation and Mounting

Warning

1. Any device used inside a vehicle may cause severe personal injury if not properly mounted and secured. Objects used in the vehicle may become airborne during a collision or other sudden changes in vehicle speed or direction, such as breaking acceleration or turning.
2. Be sure to mount unit through the steel of the vehicle. Avoid mounting through plastic or other non-structural materials.
3. **POINT OF INSTALLATION MUST NOT INTERFERE WITH DEPLOYMENT OF VEHICLE AIRBAGS**
4. **D&R Electronics recommends tis or any of our products be installed by qualified professionals.**

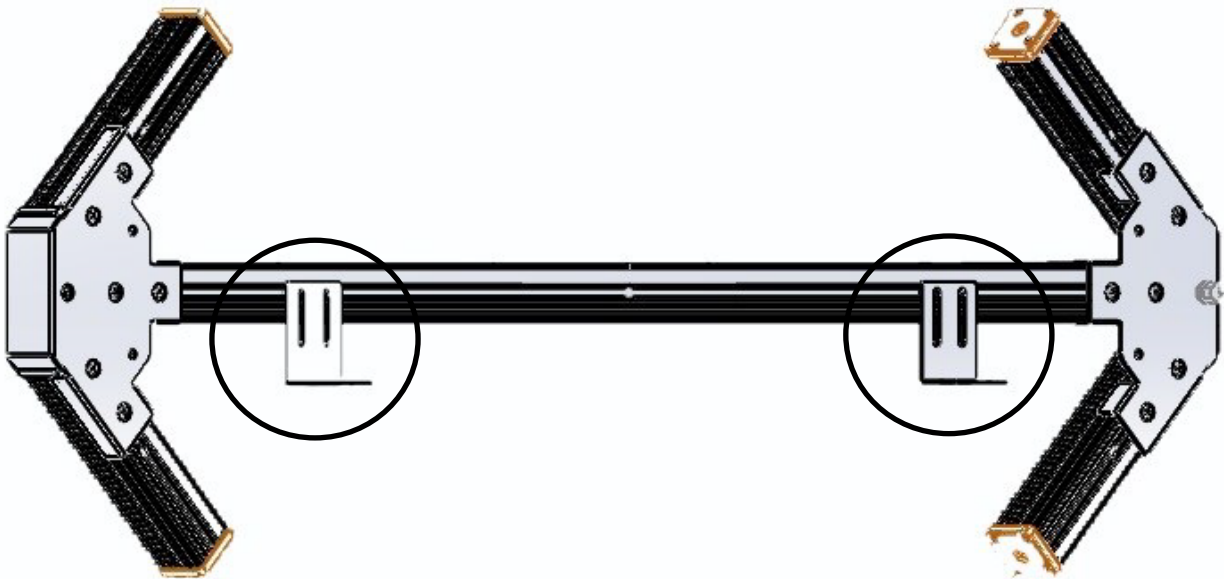
Installation of traffic director with arrows

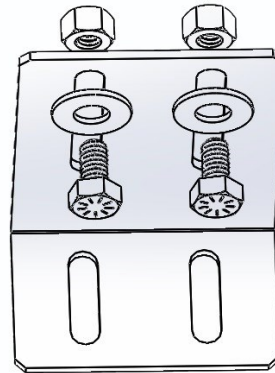
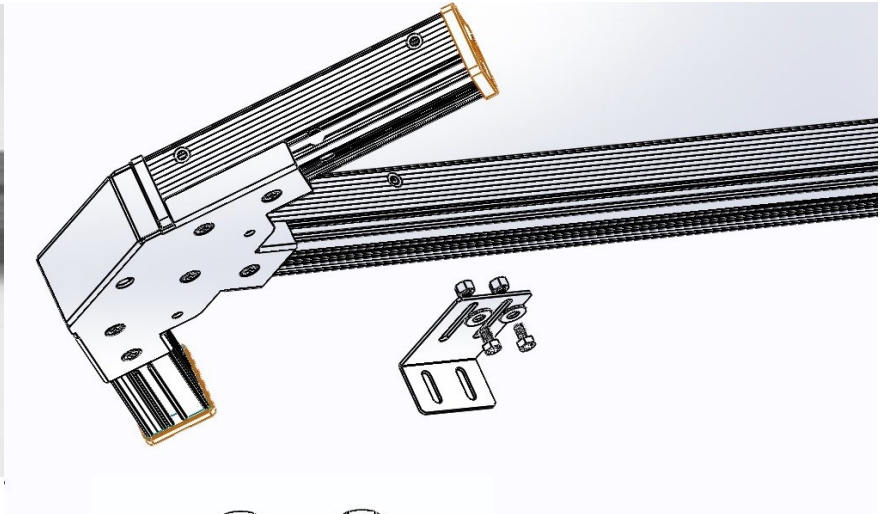
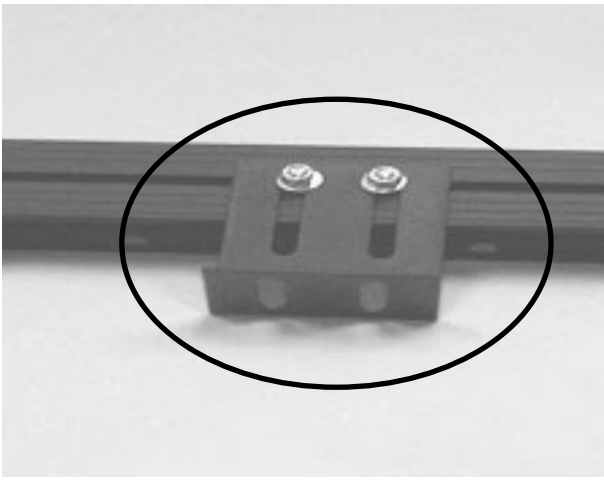
The Traffic Director has been designed with a flexible mounting system so that it can be mounted conveniently at any required location. Traffic director with arrow can be mounted in two different ways.

1. Mounting through channel

Two sets of mounting brackets with bolts, nuts and washers have been supplied with this unit, and can be found in the parts box. Unless otherwise mentioned, the custom mounting hardware referenced has also been supplied with the unit.

Out of the two brackets provided, one bracket is shown in Fig below. As shown, the shorter leg of the bracket is to be fastened with the provided hardware to the deck. Two carriage bolts have to be slid into the channel which is at the back of the LED Traffic Director and then inserted into the oblong slots on the longer leg of the mounting bracket. The slots are oblong in shape to give you maximum flexibility in securing the most convenient position required for the unit.

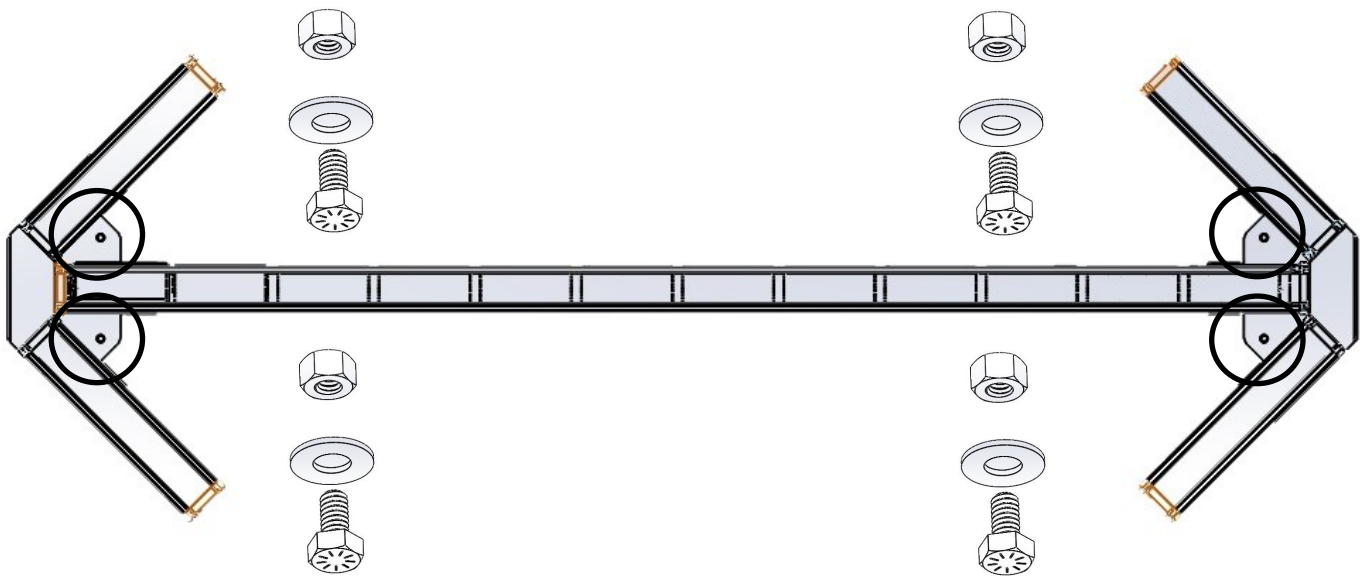




- X 4 - 432-0002
- X 4 - 413-0018
- X 4 - 411-0031
- X 1 - 801-0006

2. Mounting through end brackets.

You can also mount unit with the help end brackets by using same supplies of nuts, bolts, and washers as shown below..



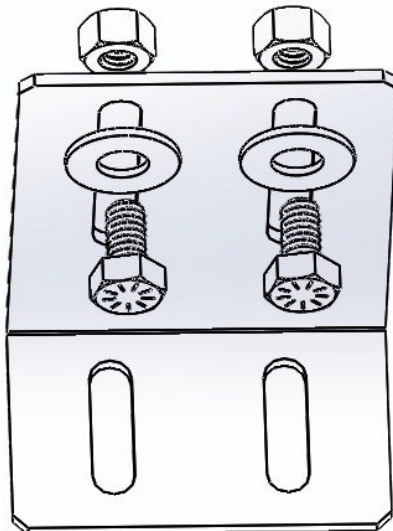
Note: Be sure to mount unit through the steel of the vehicle. Avoid mounting through plastic or other non-structural materials.

Installation of traffic director without arrows

Mounting through channel

Two sets of mounting brackets with bolts, nuts and washers have been supplied with this unit, and can be found in the parts box. Unless other-wise mentioned, the custom mounting hardware referenced has also been supplied with the unit.

Out of the two brackets provided, one bracket is shown in Fig below. As shown, the shorter leg of the bracket is to be fastened with the provided hardware to the deck. Two carriage bolts have to be slid into the channel which is at the back of the LED Traffic Director and then inserted into the oblong slots on the longer leg of the mounting bracket. The slots are oblong in shape to give you maximum flexibility in securing the most convenient position required for the unit.



X 4 - 432-0002

X 4 - 413-0018

X 4 - 411-0031

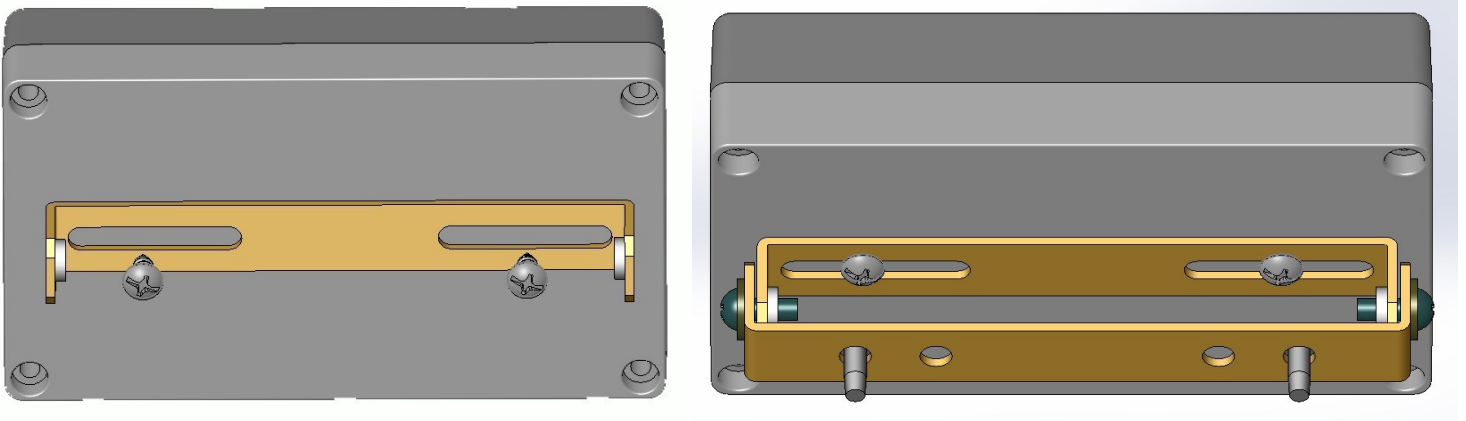
X 1 - 801-0006

Installation of AS5500 Touchpad Bracket

Mounting bracket for touchpad is supplied with package. Open both



With supplied screw and washer fit the touchpad with the one side of bracket as shown in figure below, Secure the other bracket on deck or desired location and attach both brackets as they were before as shown in figure below.



Connect the routed cable from traffic director to the side of touch pad.

Maintenance

The LED Traffic Director has been designed to provide trouble-free service and minimum routine maintenance. Occasional cleaning of the Traffic Director lens is all that is required to produce maximum light output. Cleaning should be done with soft cloth to avoid scratching of the lens. The lens should not be removed at any time. If problems are encountered, please see the Trouble-shooting Guide given above. If the problems persist, contact D&R Electronics for further advice or return instructions.

Warning

ANY attempt to repair a unit under warranty by anyone else other than a technician authorized by D&R Electronics, without their express written consent, will void the warranty.

Point of installation must not interfere with deployment of vehicle airbag.

WARRANTY

D&R Electronics warrants its new products to be free from defects in material and workmanship, under normal use and service, for a period of one year on parts replacement, and one year on labour. This warranty applies only to original purchasers acquiring the product directly from D&R Electronics, or its authorized dealers. Warranty will not be recognized without proof of purchase or bill of sale. This warranty is not transferable. The warranty begins on the date of delivery to the first user/purchaser. This warranty shall not apply to products which must be repaired due to normal wear and tear, negligence, improper installation, abuse, misuse, or which have been altered or modified at a facility other than D&R Electronics, or its authorized depot center. Units proved to be defective within the warranty period, based on an examination by D&R Electronics, will be replaced or repaired at D&R Electronics' option. This warranty does not cover travel expenses or labour charges for removal or installation. Lamps, flash tubes, batteries or other items considered consumables are not covered under warranty. This warranty is in lieu of all other express warranties. D&R Electronics makes no other warranties, expressed or implied, than the express warranties contained herein.

PRODUCT RETURN POLICY

In order to provide you with faster service, product returns for repair or replacement, must have a Return Goods Authorization Number (RGA number). Please contact our company to obtain a RGA number before you return the product to D&R Electronics. Write the RGA number clearly on the package. Be sure you use sufficient packing materials to avoid damage to the product being returned while in transit.

D&R Electronics assumes no responsibility or liability for expenses incurred for the removal and/or the installation of products requiring service and/or repair. Repairing or replacing product is at the discretion of D&R Electronics.

D&R ELECTRONICS Co. LTD.

CANADA

8820 George Bolton Pkwy.
Bolton, Ontario L7E 2Y4
Tel: (905) 951-9997
Fax: (905) 951-0019

USA

2299 Kenmore Avenue
Building 3, Doors 11-14
Buffalo, New York 14207
Toll Free: 1-800-538-7338

www.dandrelectronics.com