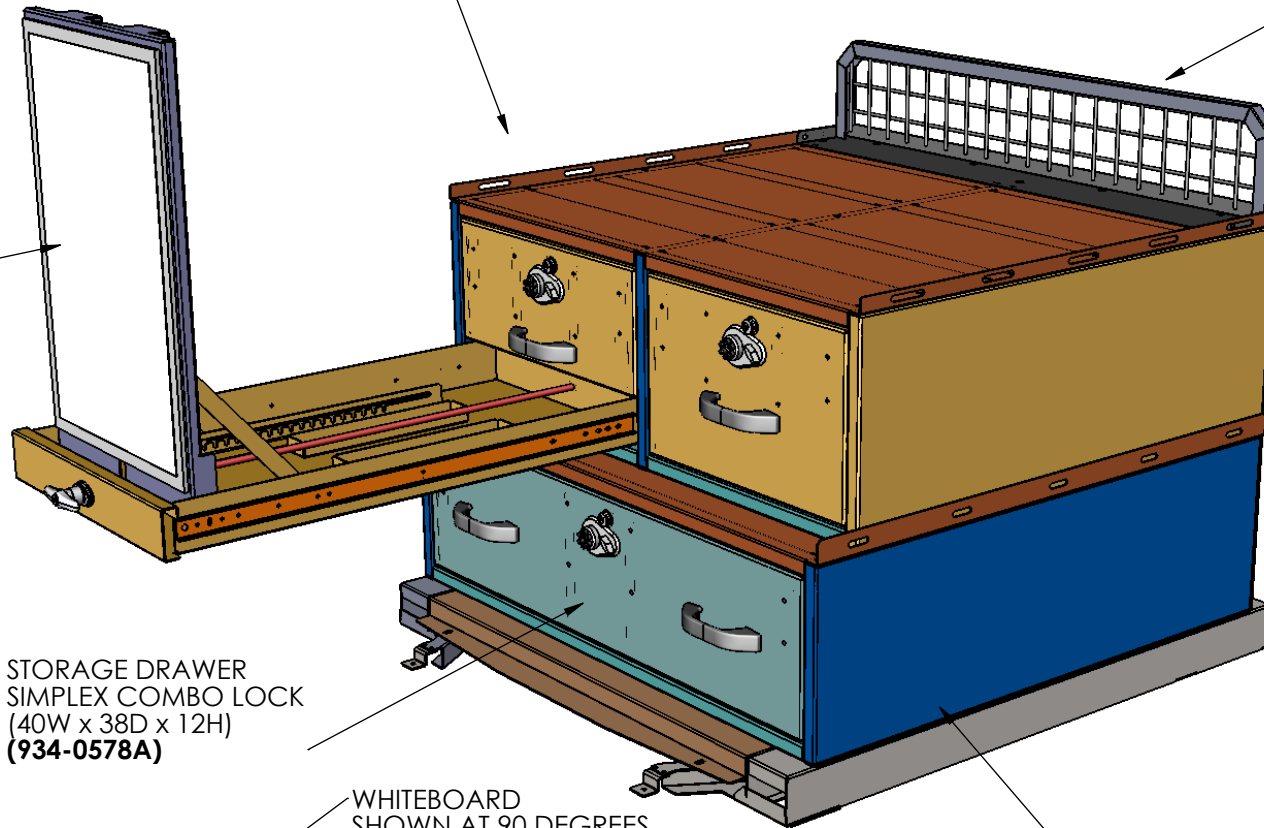


UPPER STORAGE UNIT WITH SIMPLEX COMBO LOCK
C/W DIVIDERS (934-0579A)

REV.	DESCRIPTION	BY	DATE	APPROVED

CARGO PARTITION
(938-0084A)

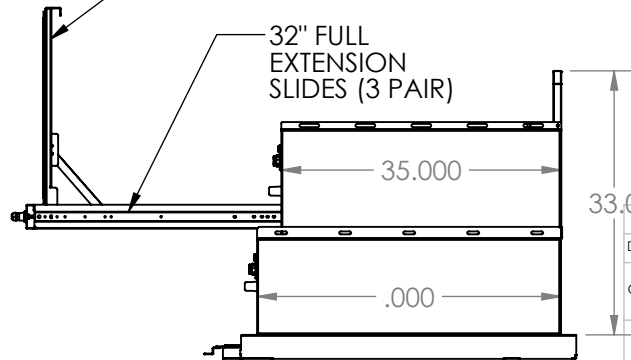
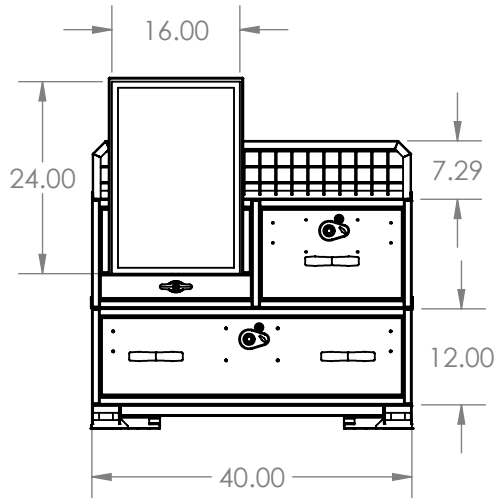
WHITEBOARD
SHOWN
IN OPERATIONAL
POSTIION



STORAGE DRAWER
SIMPLEX COMBO LOCK
(40W x 38D x 12H)
(934-0578A)

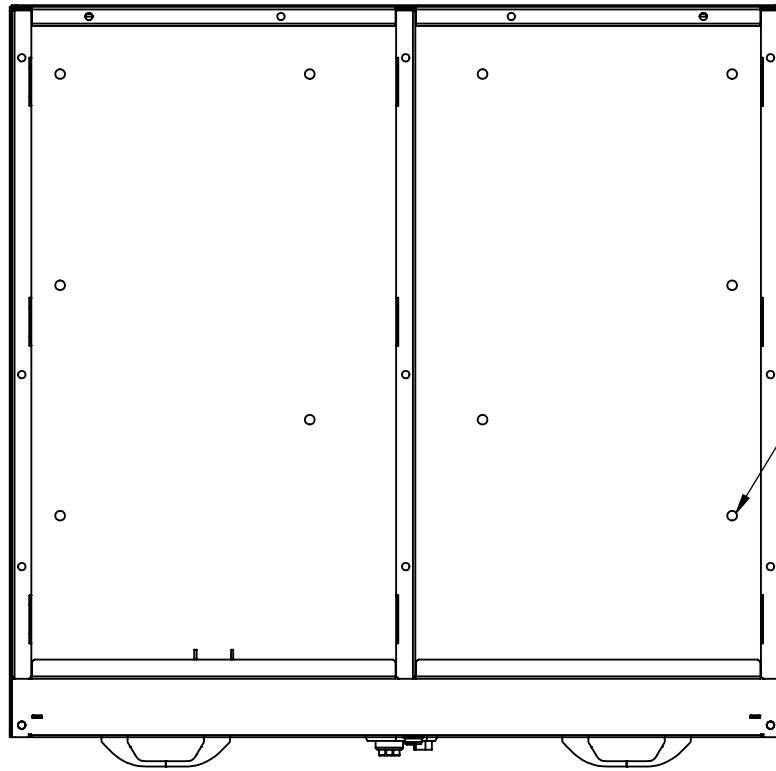
WHITEBOARD
SHOWN AT 90 DEGREES.

2013 FORD INTERCEPTOR UTILITY
FULL SIZE SUB-FRAME (933-0099A)

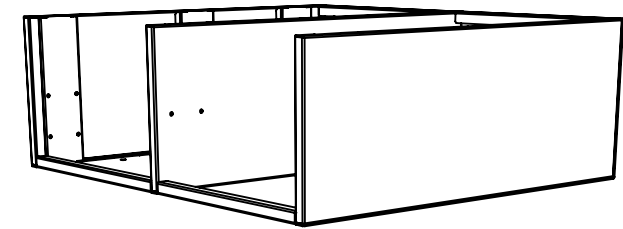


NAME	DATE	DANDR ELECTRONICS CO. LTD.		DANDR-ANSI-A	SIZE
DRAWN JV	21NOV12	DandR		REV2 APRIL 1, 2009	A
CHECKED		Path: \\server-file\data\MECH ENG\MECH_DESIGN\934-0577A\ File: 934-0577A Date: Wednesday, November 21, 2012 1:49:03 PM			
THE INFORMATION CONTAINED WITHIN THIS DRAWING IS PROPRIETARY AND CONFIDENTIAL. AND IS THE SOLE PROPERTY OF DandR ELECTRONICS CO. LTD. IT MAY NOT BE REPRODUCED AT WHOLE OR IN PART WITHOUT THE WRITTEN PERMISSION OF DandR ELECTRONICS CO. LTD.		DESCRIPTION: Storage System Dual Drawer with White Board for 2013 FORD INTERCEPTOR UTILITY			
FINISH MIDNIGHT BLACK WRINKLE		MFG. NO. 934-0577A		CATALOG. NO.	
		USED ON:		SHEET 1 OF 1	
		MATERIAL FORMED SHEET ALUMINUM		REV. 0	

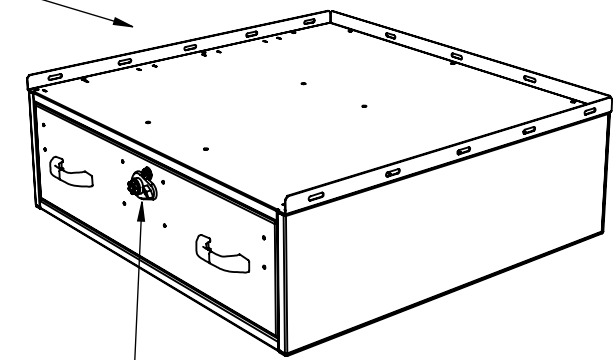
REV.	DESCRIPTION	BY	DATE	APPROVED



Add 3/8-16 Retainer Nut to Lower Cabinet Top
(6 Places)



Add 3/8-16 Retainer Nut to Lower Cabinet Top
(6 Places)



STORAGE DRAWER
WITH SIMPLEX COMBO LOCK
(40W x 38D x 12H)
934-0578A

2013 FORD INTERCEPTOR UTILITY
SUB-FRAME (**933-0099A**)

	NAME	DATE	ELECTRONICS CO.	DANDR-ANSI-A	SIZE
DRAWN	JV	21NOV12		REV2	A
CHECKED			Path: \\server-file\data\MECH ENG\MECH_DESIGN\934-0577A\ File: 934-0577A Date: Wednesday, November 21, 2012 1:49:03 PM		
THE INFORMATION CONTAINED WITHIN THIS DRAWING IS PROPRIETARY AND CONFIDENTIAL. AND IS THE SOLE PROPERTY OF DandR ELECTRONICS CO. LTD. IT MAY NOT BE REPRODUCED AT WHOLE OR IN PART WITHOUT THE WRITTEN PERMISSION OF DandR ELECTRONICS CO. LTD.			DESCRIPTION: Storage System Dual Drawer with White Board for 2013 FORD INTERCEPTOR UTILITY		
FINISH			MFG. NO.	CATALOG. NO.	
MIDNIGHT BLACK WRINKLE			934-0577A		
			USED ON:		SHEET 1 OF 1
			MATERIAL	REV.	
			FORMED SHEET ALUMINUM	0	