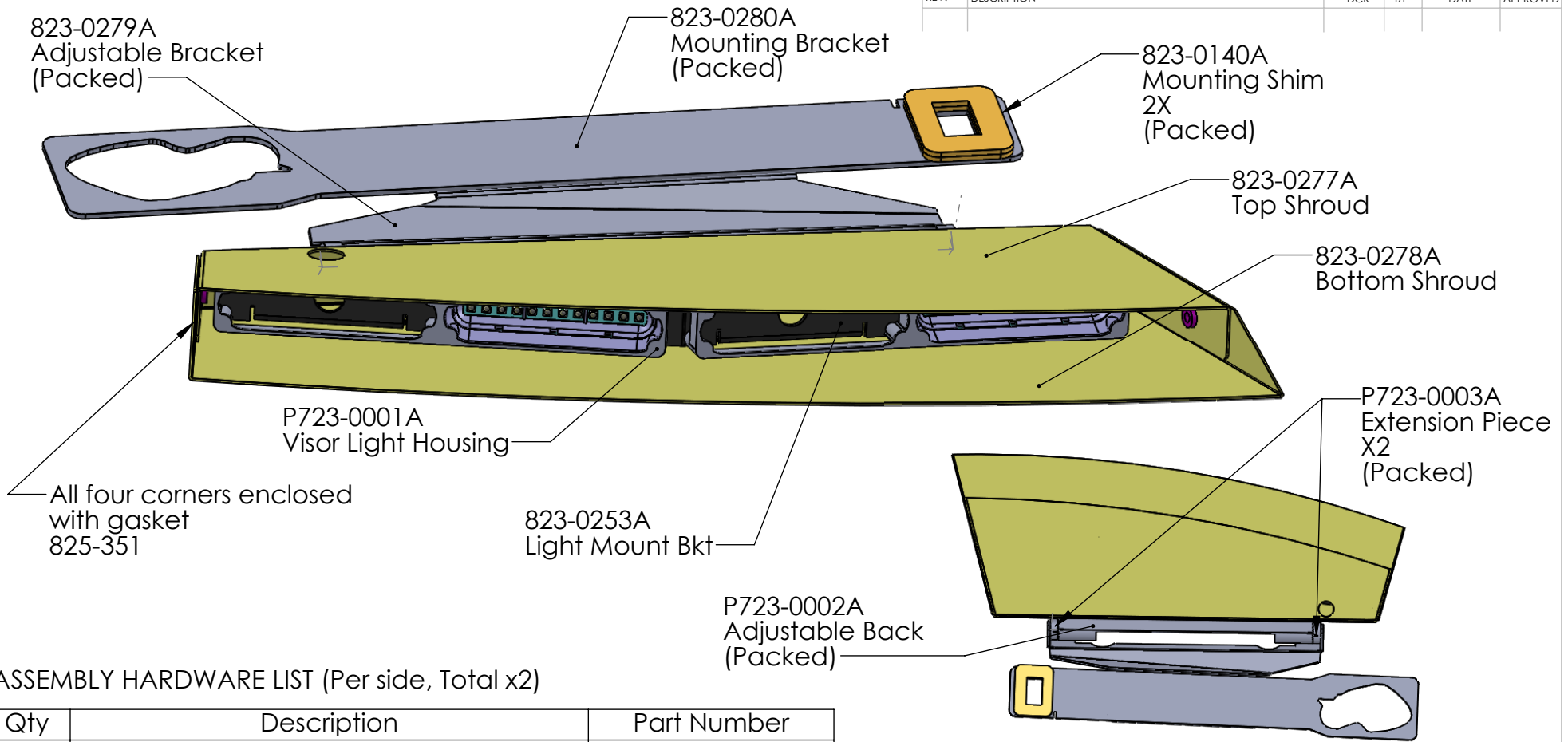


REV.	DESCRIPTION	DCR	BY	DATE	APPROVED
------	-------------	-----	----	------	----------



ASSEMBLY HARDWARE LIST (Per side, Total x2)

Qty	Description	Part Number
2	10-32 Machine Screw 3/8" Zinc	401-0009
2	#10 Lock Washer Zinc	403-0010
2	#10 Flat Washer Zinc	401-0025
4	4-40 Flat Washer Zinc	403-0019
4	4-40 Nyloc Nut	422-0006

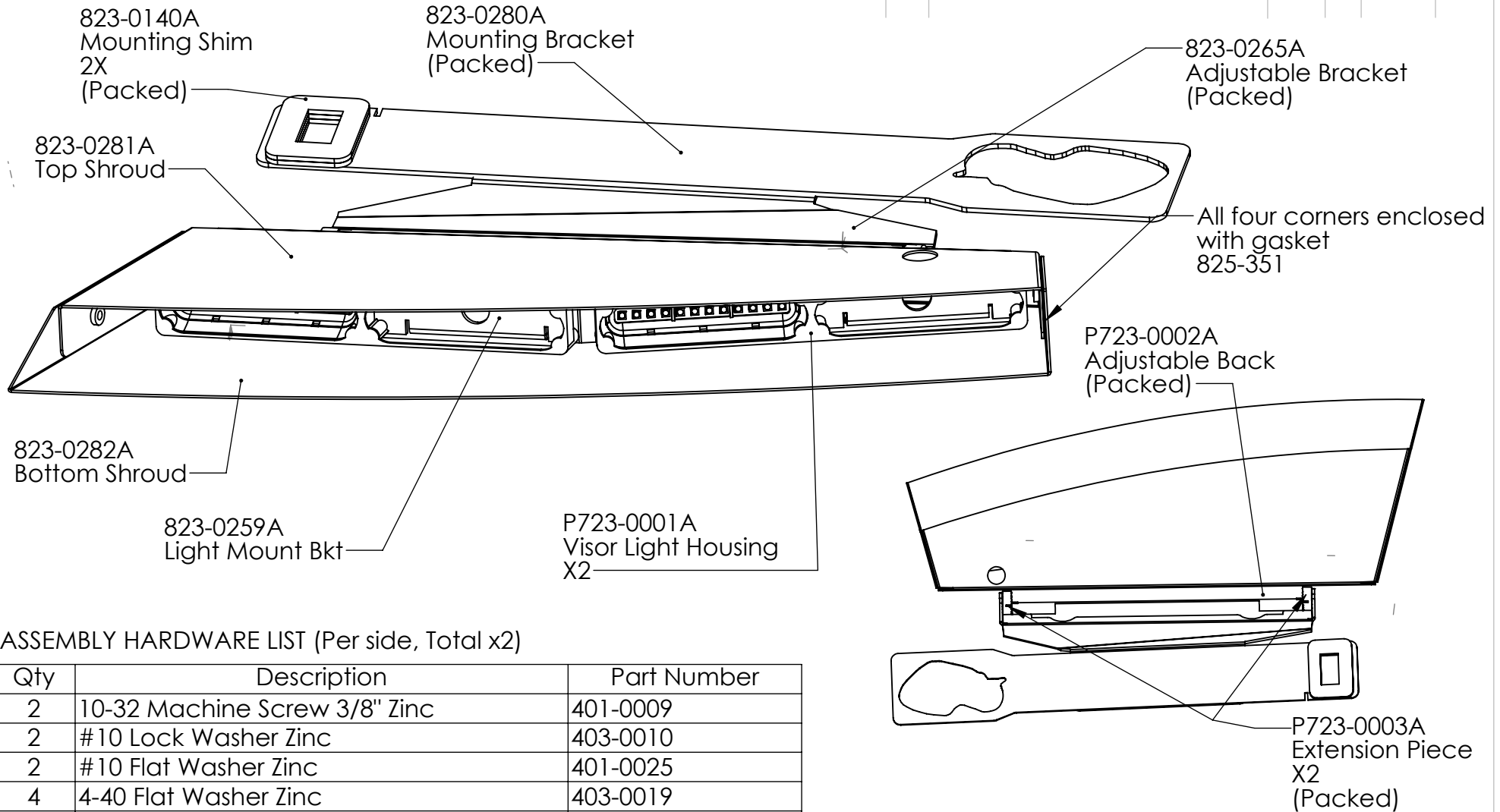
PACKING HARDWARE LIST (Per side, Total x2)

Qty	Description	Part Number
2	10-32 Machine Screw 5/8" Zinc	401-0052
2	#10 Lock Washer Zinc	403-0010
2	1/4-20 Hex Bolt 1" Zinc	401-0025
2	1/4-20 Star Washer Zinc	403-0011
2	10-32 Flat Washer Zinc	403-0007A
2	10-32 Low Profile Nyloc Nut Zinc	402-0031
2	1/4-20 Hex Nut Zinc	402-0005

FORM ONE AS SHOWN FOR PS 923-0108A AND ONE OPP HAND FOR DS 923-0109A SECOND SHEET FOR DS REFERENCE

DRAWN	NAME IM	DATE 31OCT18	 DANDR-ANSI-A REV2 APRIL 1,2009	SIZE A
CHECKED	AD	31OCT18		Path: M:\MECH_DATA\923 LED Lighting\923-0108A - 2018 Chevy Tahoe Visor Light File: 923-0108A Date: April-02-19 3:43:15 PM
THE INFORMATION CONTAINED WITHIN THIS DRAWING IS PROPRIETARY AND CONFIDENTIAL. AND IS THE SOLE PROPERTY OF DANDR ELECTRONICS CO. LTD. IT MAY NOT BE REPRODUCED AT WHOLE OR IN PART WITHOUT THE WRITTEN PERMISSION OF DANDR ELECTRONICS CO. LTD.			DESCRIPTION: 2018 Tahoe Police Issue Visor Lights PS	
FINISH			MFG. NO. 923-0108A	CATALOG. NO. XXX
			USED ON:	SHEET 1 OF 1
			MATERIAL	REV. 0

REV.	DESCRIPTION	DCR	BY	DATE	APPROVED



ASSEMBLY HARDWARE LIST (Per side, Total x2)

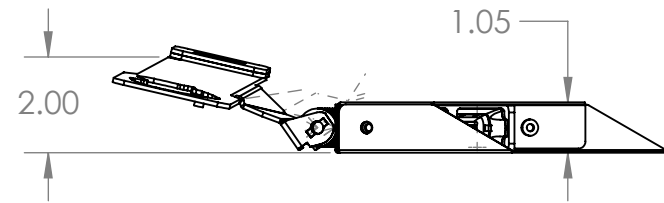
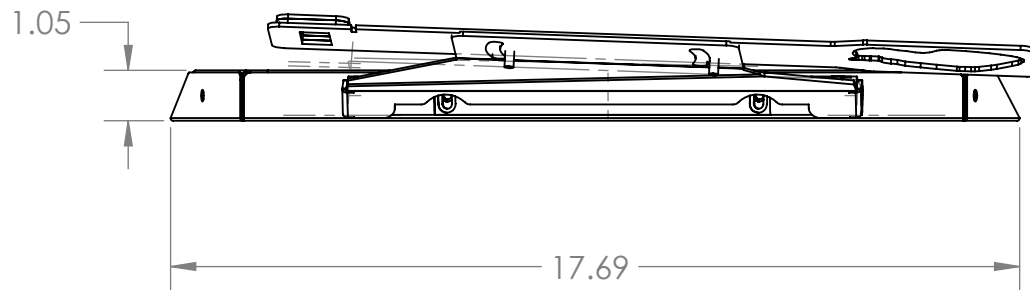
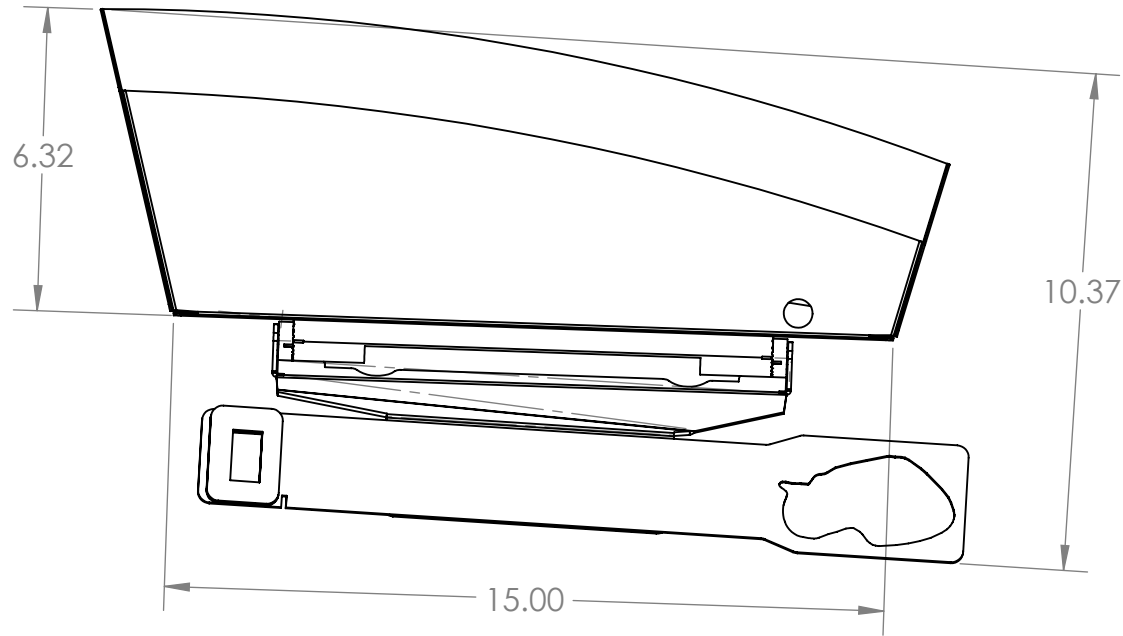
Qty	Description	Part Number
2	10-32 Machine Screw 3/8" Zinc	401-0009
2	#10 Lock Washer Zinc	403-0010
2	#10 Flat Washer Zinc	401-0025
4	4-40 Flat Washer Zinc	403-0019
4	4-40 Nyloc Nut	422-0006

PACKING HARDWARE LIST (Per side, Total x2)

Qty	Description	Part Number
2	10-32 Machine Screw 5/8" Zinc	401-0052
2	#10 Lock Washer Zinc	403-0010
2	1/4-20 Hex Bolt 1" Zinc	401-0025
2	1/4-20 Star Washer Zinc	403-0011
2	10-32 Flat Washer Zinc	403-0007A
2	10-32 Low Profile Nyloc Nut Zinc	402-0031
2	1/4-20 Hex Nut Zinc	402-0005

DRAWN	NAME	DATE	DCR	ELECTRONICS CO., LTD.	DANDR-ANSI-A REV2 APRIL 1, 2009	SIZE A
	IM	31OCT18				
CHECKED	AD	31OCT18	Path: M:\MECH_DATA\923 LED Lighting\923-0108A - 2018 Chevy Tahoe Visor Light File: 923-0108A Date: April-02-19 3:43:15 PM DESCRIPTION: 2018 Tahoe Police Issue Visor Lights DS			
THE INFORMATION CONTAINED WITHIN THIS DRAWING IS PROPRIETARY AND CONFIDENTIAL. AND IS THE SOLE PROPERTY OF DandR ELECTRONICS CO. LTD. IT MAY NOT BE REPRODUCED AT WHOLE OR IN PART WITHOUT THE WRITTEN PERMISSION OF DandR ELECTRONICS CO. LTD.			MFG. NO. 923-0109A	CATALOG. NO. XXX		
FINISH			MATERIAL			REVISION 0
USED ON:						SHEET 1 OF 1

REV.	DESCRIPTION	DCR	BY	DATE	APPROVED



	NAME	DATE	DandR ELECTRONICS CO., LTD.		DANDR-ANSI-A	SIZE
DRAWN	IM	31OCT18	DandR		REV2	A
CHECKED	AD	31OCT18	Path: M:\MECH_DATA\923 LED Lighting\923-0108A - 2018 Chevy Tahoe Visor Light		APRIL 1, 2009	
			File: 923-0108A			
			Date: April-02-19 3:43:15 PM			
			DESCRIPTION:			
			2018 Tahoe Police Issue Visor Lights PS			
			MFG. NO.	CATALOG. NO.		
			923-0108A	XXX		
			USED ON:	SHEET 1 OF 1		
FINISH			MATERIAL		REV.	0

THE INFORMATION CONTAINED WITHIN THIS DRAWING IS PROPRIETARY AND CONFIDENTIAL. AND IS THE SOLE PROPERTY OF DandR ELECTRONICS CO. LTD. IT MAY NOT BE REPRODUCED AT WHOLE OR IN PART WITHOUT THE WRITTEN PERMISSION OF DandR ELECTRONICS CO. LTD.