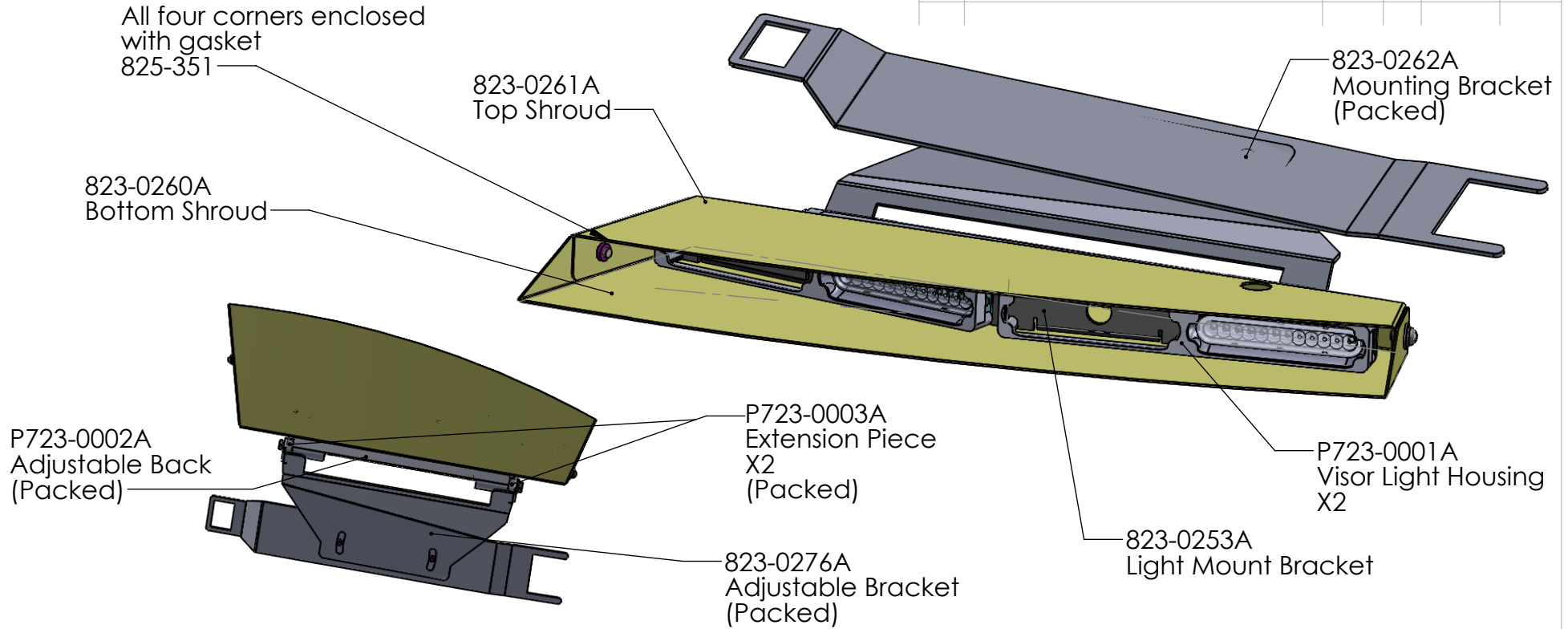


REV.	DESCRIPTION	DCR	BY	DATE	APPROVED
------	-------------	-----	----	------	----------



**ASSEMBLY HARDWARE LIST (Per side, Total x2)**

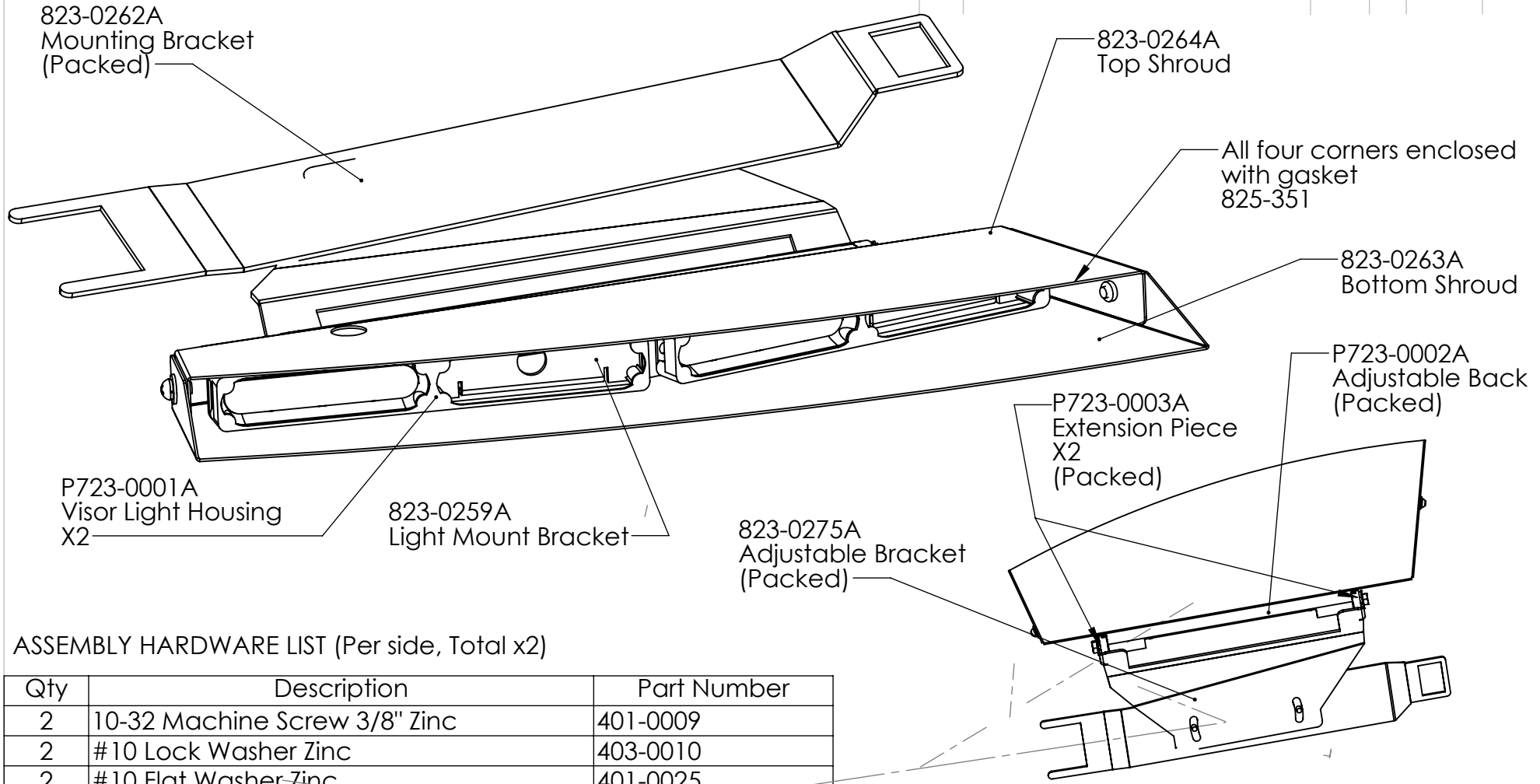
Qty	Description	Part Number
2	10-32 Machine Screw 3/8" Zinc	401-0009
2	#10 Lock Washer Zinc	403-0010
2	#10 Flat Washer Zinc	401-0025
4	4-40 Flat Washer Zinc	403-0019
4	4-40 Nyloc Nut	422-0006

**PACKING HARDWARE LIST (Per side, Total x2)**

Qty	Description	Part Number
2	10-32 Machine Screw 5/8" Zinc	401-0052
2	#10 Lock Washer Zinc	403-0010
2	1/4-20 Hex Bolt 1" Zinc	401-0025
2	1/4-20 Star Washer Zinc	403-0011
2	10-32 Flat Washer Zinc	403-0007A
2	10-32 Low Profile Nyloc Nut Zinc	402-0031
2	1/4-20 Hex Nut Zinc	402-0005

**FORM ONE AS SHOWN FOR DS 923-0104A  
AND ONE OPP HAND FOR PS 923-0105A  
SECOND SHEET FOR PS REFERENCE**

NAME	DATE	DCR	DESCRIPTION	DANDR-ANSI-A	SIZE
XX	XXJAN09		<b>ELECTRONICS CO., LTD.</b>	REV2 APRIL 1, 2009	<b>A</b>
CHECKED			Path: M:\MECH_DATA\923 LED Lighting\923-0104A - 2018 F-150 Visor Light\ File: 923-0104A Date: February 11, 2019 11:46:07 AM		
THE INFORMATION CONTAINED WITHIN THIS DRAWING IS PROPRIETARY AND CONFIDENTIAL. AND IS THE SOLE PROPERTY OF DANDR ELECTRONICS CO. LTD. IT MAY NOT BE REPRODUCED AT WHOLE OR IN PART WITHOUT THE WRITTEN PERMISSION OF DANDR ELECTRONICS CO. LTD.			<b>2018 Ford F-150 Police Issue Visor Lights DS</b>		
FINISH			MFG. NO. <b>923-0104A</b>	CATALOG. NO. XXX	SHEET 1 OF 1
			USED ON:		REV. <b>0</b>



ASSEMBLY HARDWARE LIST (Per side, Total x2)

Qty	Description	Part Number
2	10-32 Machine Screw 3/8" Zinc	401-0009
2	#10 Lock Washer Zinc	403-0010
2	#10 Flat Washer Zinc	401-0025
4	4-40 Flat Washer Zinc	403-0019
4	4-40 Nyloc Nut	422-0006

PACKING HARDWARE LIST (Per side, Total x2)

Qty	Description	Part Number
2	10-32 Machine Screw 5/8" Zinc	401-0052
2	#10 Lock Washer Zinc	403-0010
2	1/4-20 Hex Bolt 1" Zinc	401-0025
2	1/4-20 Star Washer Zinc	403-0011
2	10-32 Flat Washer Zinc	403-0007A
2	10-32 Low Profile Nyloc Nut Zinc	402-0031
2	1/4-20 Hex Nut Zinc	402-0005

NAME	DATE	<b>DANDR ELECTRONICS CO.</b>	DANDR-ANSI-A	SIZE
DRAWN	XX		REV2	<b>A</b>
CHECKED	XXJAN09	Path: M:\MECH_DATA\923 LED Lighting\923-0104A - 2018 F-150 Visor Light\ File: 923-0104A Date: February 11, 2019 11:46:07 AM	APRIL 1, 2009	
THE INFORMATION CONTAINED WITHIN THIS DRAWING IS PROPRIETARY AND CONFIDENTIAL. AND IS THE SOLE PROPERTY OF DANDR ELECTRONICS CO. LTD. IT MAY NOT BE REPRODUCED AT WHOLE OR IN PART WITHOUT THE WRITTEN PERMISSION OF DANDR ELECTRONICS CO. LTD.		<b>DESCRIPTION:</b> <b>2018 Ford F-150 Police Issue Visor Lights PS</b>		
FINISH		MFG. NO.	CATALOG. NO.	
		<b>923-0104A</b>	XXX	
		USED ON:	SHEET 1 OF 1	
		MATERIAL	REV.	<b>0</b>