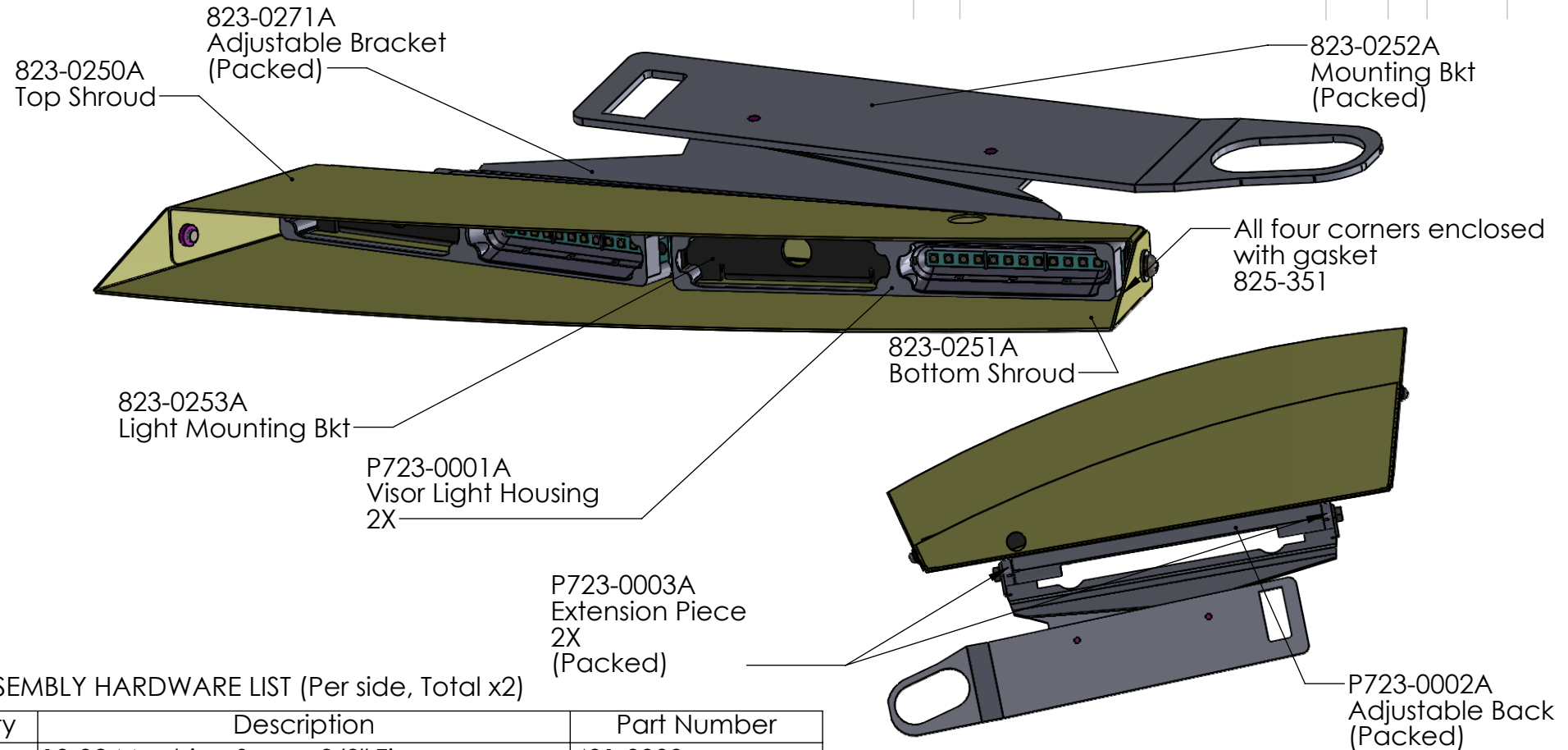


REV.	DESCRIPTION	DCR	BY	DATE	APPROVED
------	-------------	-----	----	------	----------



ASSEMBLY HARDWARE LIST (Per side, Total x2)

Qty	Description	Part Number
2	10-32 Machine Screw 3/8" Zinc	401-0009
2	#10 Lock Washer Zinc	403-0010
2	#10 Flat Washer Zinc	401-0025
4	4-40 Flat Washer Zinc	403-0019
4	4-40 Nyloc Nut	422-0006

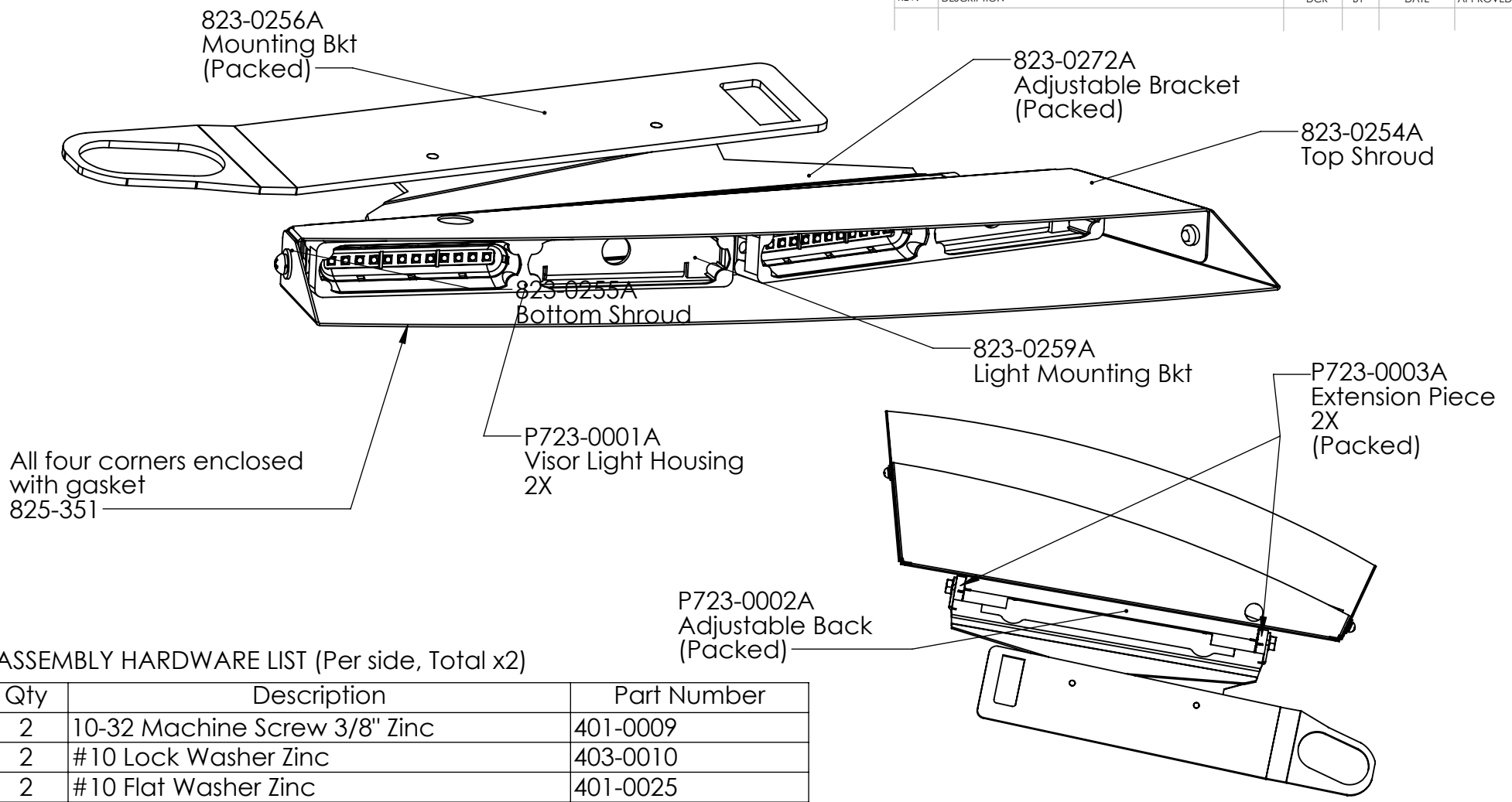
PACKING HARDWARE LIST (Per side, Total x2)

Qty	Description	Part Number
2	10-32 Machine Screw 5/8" Zinc	401-0052
2	#10 Lock Washer Zinc	403-0010
2	1/4-20 Hex Bolt 1" Zinc	401-0025
2	1/4-20 Star Washer Zinc	403-0011
2	10-32 Flat Washer Zinc	403-0007A
2	10-32 Low Profile Nyloc Nut Zinc	402-0031
2	1/4-20 Hex Nut Zinc	402-0005

FORM ONE AS SHOWN FOR DS 923-0102A
AND ONE OPP HAND FOR PS 923-0103A
SECOND SHEET FOR PS REFERENCE

NAME	DATE	DESCRIPTION	DANDR-ANSI-A	SIZE
IM	27SEP18	2018 Dodge Charger Visor Light (DS)	REV2 APRIL 1, 2009	A
AD	27SEP18	Path: M:\MECH_DATA\923 LED Lighting\923-0102A - 2018 Dodge Charger Visor File: 923-0102A Date: February 11, 2019 11:59:02 AM		
FINISH		DESCRIPTION:		
BSG		<p>THE INFORMATION CONTAINED WITHIN THIS DRAWING IS PROPRIETARY AND CONFIDENTIAL. AND IS THE SOLE PROPERTY OF DandR ELECTRONICS CO. LTD. IT MAY NOT BE REPRODUCED AT WHOLE OR IN PART WITHOUT THE WRITTEN PERMISSION OF DandR ELECTRONICS CO. LTD.</p> <p>2018 Dodge Charger Visor Light (DS)</p>		
MATERIAL		MFG. NO.	CATALOG. NO.	
		923-0102A	XXX	
		USED ON:		SHEET 1 OF 1
		9XX-XXXX		
				REV. 0

REV.	DESCRIPTION	DCR	BY	DATE	APPROVED



ASSEMBLY HARDWARE LIST (Per side, Total x2)

Qty	Description	Part Number
2	10-32 Machine Screw 3/8" Zinc	401-0009
2	#10 Lock Washer Zinc	403-0010
2	#10 Flat Washer Zinc	401-0025
4	4-40 Flat Washer Zinc	403-0019
4	4-40 Nyloc Nut	422-0006

PACKING HARDWARE LIST (Per side, Total x2)

Qty	Description	Part Number
2	10-32 Machine Screw 5/8" Zinc	401-0052
2	#10 Lock Washer Zinc	403-0010
2	1/4-20 Hex Bolt 1" Zinc	401-0025
2	1/4-20 Star Washer Zinc	403-0011
2	10-32 Flat Washer Zinc	403-0007A
2	10-32 Low Profile Nyloc Nut Zinc	402-0031
2	1/4-20 Hex Nut Zinc	402-0005

NAME	DATE	DESCRIPTION	DANDR-ANSI-A	SIZE
IM	27SEP18	 Path: M:\MECH_DATA\923 LED Lighting\923-0102A - 2018 Dodge Charger Visor File: 923-0102A Date: February 11, 2019 11:59:02 AM	REV2	A
AD	27SEP18		APRIL 1, 2009	
THE INFORMATION CONTAINED WITHIN THIS DRAWING IS PROPRIETARY AND CONFIDENTIAL. AND IS THE SOLE PROPERTY OF DANDR ELECTRONICS CO. LTD. IT MAY NOT BE REPRODUCED AT WHOLE OR IN PART WITHOUT THE WRITTEN PERMISSION OF DANDR ELECTRONICS CO. LTD.		2018 Dodge Charger Visor Light (PS)		
FINISH		MFG. NO.	CATALOG. NO.	
BSG		923-0102A	XXX	
		USED ON:		SHEET 1 OF 1
		9XX-XXXX		
		MATERIAL		REV.
				0