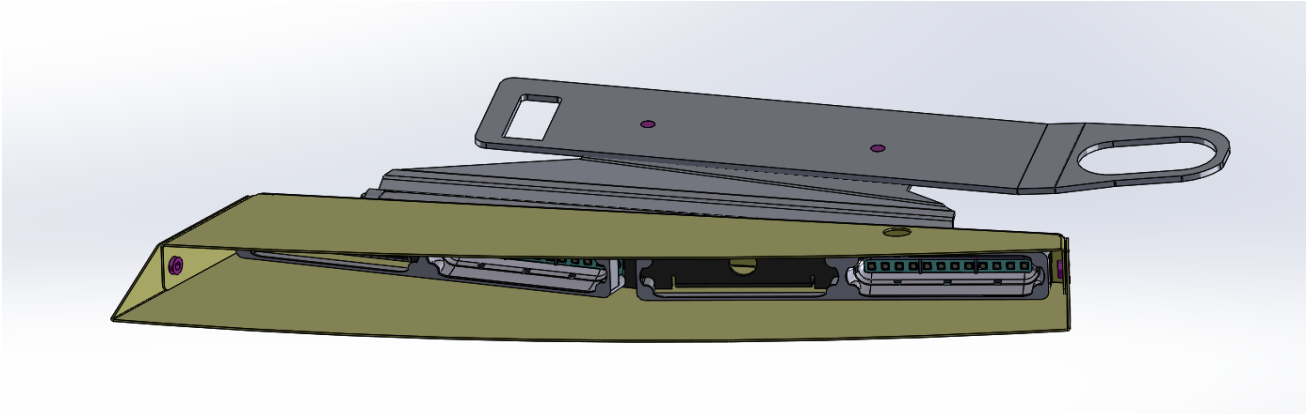




**2018 Dodge Charger Visor Light
923-0102A
For FCV**

INSTALLATION MANUAL



Contents:

Parts List-----1
 Installation Instructions-----2
 Warranty & Product Return Policy-----4

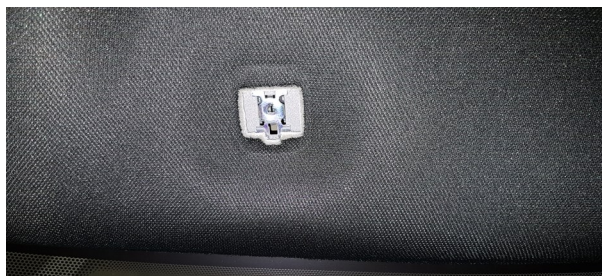
Item #	Part #	Description	Qty
1	923-0102A (923-0103A)	2018 Ford Explorer Utility Visor Light	1
2	823-0252A (823-0256A)	Mounting Bracket	1
3	823-0271A (823-0272A)	Adjustable Bracket	1
4	P723-0002A	Adjustable Back	1
5	P723-0003A	Extension Piece	2
6	401-0052	10-32 Machine Screw 5/8" Zinc	2
7	403-0010	#10 Lock Washer Zinc	2
8	401-0025	1/4-20 Hex Bolt 1" Zinc	2
9	403-0011	1/4-20 Star Washer Zinc	2
10	403-0005A	1/4-20 Flat Washer Zinc	2
11	422-0009	1/4-20 Nyloc Nut Zinc	2
12	402-0005	1/4-20 Hex Nut Zinc	2

INSTALLATION INSTRUCTIONS

Step 1

Vehicle Preparation

1. Remove the factory visor clips leaving the mounting points open



Step 2

Mounting Point Preparation

1. Use the factory hardware to install the mounting bracket to the visor mounting points.



Step 3

Visor Light Preparation

1. Slide the two 1/4-20 Hex nuts into the back of the "Adjustable Back" plastic piece.
2. Place the two small plastic pieces "Extension Piece" into the cutouts of the "Adjustable Bracket".
3. Place the extension pieces over the ends of the adjustable back and make sure to line up the slots. This is used for consistency, but if you are having fitting problems can be adjusted.
4. Use the two 1/4-20 star washer and bolt to secure everything together. As can be seen in the photos.
5. Its recommended to tighten this 1/4-20 bolt rather than leave it loose because in the next step the visor is pressure fit to the glass



6. This entire bracket system can then be mounted onto the visor shrouds using the two 5/8" 10-32 machine screws and lock washers.



Step 4

Visor Light Installation

1. Use the 1/4-20 nyloc nut and washer to secure the visor light to the roof mounting bracket. This again has adjustability and can be moved for best fit. This will be a tight fit to ensure the pressure keeps the visor sealed against the glass.



Step 5

Wire Routing

1. The wires leading out of the visor run into the headliner to keep them from being visible.



Step 6

Adjustments

1. The visor light should fit securely up to the glass with no light leaks in all of the neutral positions. If something is not fitting properly there are many forms of adjustments that can be made to ensure that the correct fit is made. These are the rotational adjustments from the adjustable back and the movement with the mounting bracket.



WARRANTY

D & R Electronics warrants its new products to be free from defects in material and workmanship, under normal use and service, for a period of one year on parts replacement, and one year on labor.

This warranty applies only to original purchasers acquiring the product directly from D&R Electronics, or its authorized dealers. Warranty will not be recognized without proof of purchase or bill of sale. This warranty is not transferable.

The warranty begins on the date of delivery to the first user/purchaser. This warranty shall not apply to products which must be repaired due to normal wear and tear, negligence, improper installation, abuse, misuse, or which have been altered or modified at a facility other than D & R Electronics, or its authorized depot center. Units proved to be defective within the warranty period, based on an examination by D&R Electronics, will be replaced or repaired at D & R Electronics' option. This warranty does not cover travel expenses or labor charges for removal or installation. Lamps, flash tubes, batteries or other items considered consumables are not covered under warranty.

This warranty is in lieu of all other express warranties. D&R Electronics makes no other warranties, expressed or implied, than the express

PRODUCT RETURN POLICY

In order to provide you with faster service, product returns for repair or replacement, must have a **Return Goods Authorization Number (RGA number)**. Please contact our company to obtain a RGA number before you return the product to D & R ELECTRONICS. Write the RGA number clearly on the package. Be sure you use sufficient packing materials to avoid damage to the product being returned while in transit.

D & R ELECTRONICS assumes no responsibility or liability for expenses incurred for the removal and/or the installation of products requiring service and/or repair. Repairing or replacing product is at the discretion of D & R ELECTRONICS.

D&R ELECTRONICS Co. LTD.

CANADA
 8820 George Bolton Pkwy.
 Bolton, Ontario L7E 2Y4
 Tel: (905) 951-9997
 Fax: (905) 951-0019

USA
 2299 Kenmore Avenue
 Building 3, Doors 11-14
 Buffalo, New York 14207
 Toll Free: 1-800-538-7338

www.dandrelectronics.com