

Features and Specifications:

Outputs 1 & 2;

- Will deliver + Battery output to power lamps with 10A MAX per OUTPUT.
- Each individual outputs are short circuit current protected
- Connections are via a screw terminal block

Input Power and Control;

- Power is applied to the +12V BATT. Terminal screw, via a 20 A inline fuse.
- Ground is applied to the GROUND terminal
- SWITCH - +12Vdc at this input enables the flasher
- STEADY BURN - Applying +12Vdc to this input will override the Flashing and keep the Lamps ON

Mounting the FS2100-SS Flasher Module

The *FS2100-S* may be mounted anywhere inside the vehicle, or any convenient location that is determined by proper planning and installation techniques.

Proceed as Follows:

- Determine an appropriate mounting location
- Confirm there is adequate access and clearance for the wiring and its connections.
- Secure the *FS2100-S* with 2 self tapping mounting screws (not supplied).

NOTE: FLASHING MODE SETTING

FLASHING MODE	JP1	JP2
SINGLE		
DOUBLE		
MULTIPLE		
33% DUTY		

NOTE: - CLOSED JUMPER
 - OPEN JUMPER

The switches as shown will activate the flashing of the lamps or set them to Steady burn.

If the flasher is used for Headlamp flashing SW 2 can be replaced by the High Beam Control wire from the vehicle, when the high beam is turned on the module will set the lights to steady burn.

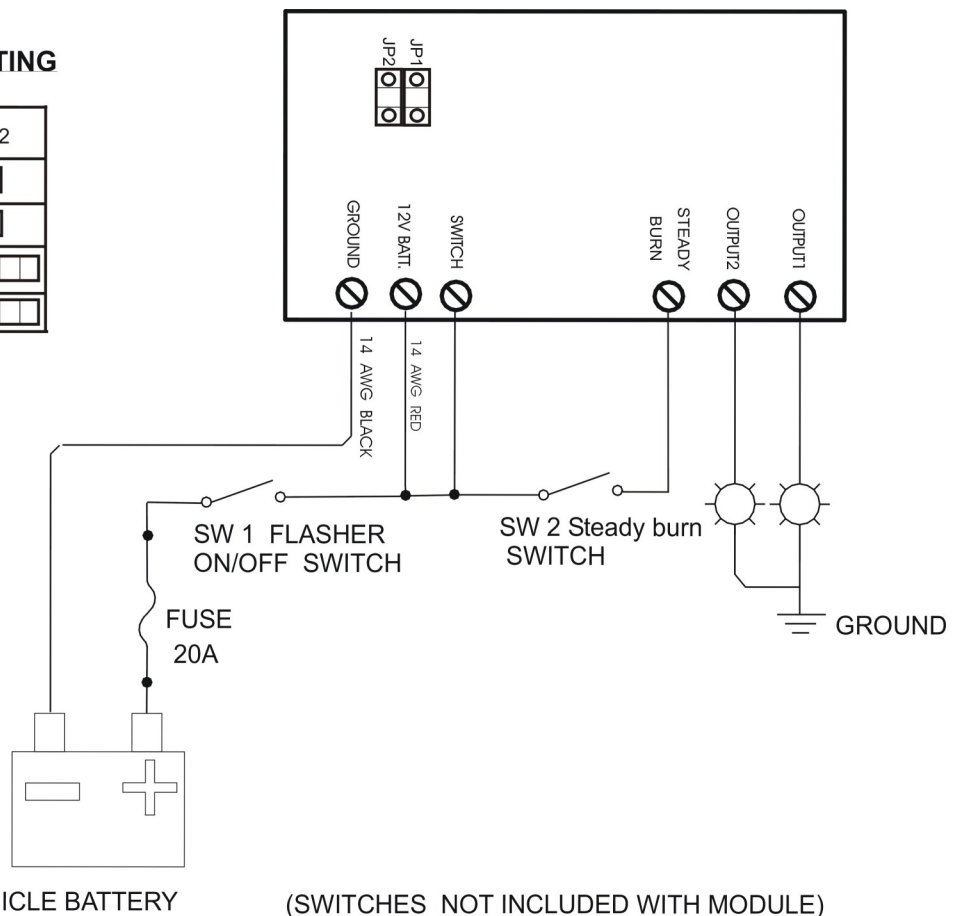


Figure 1 typical FS2100-S wiring diagram

Troubleshooting

PROBLEM	POSSIBLE CAUSE	SOLUTION
No power at the Lamp outputs	<p>Bad connection to <u>"12V & GND INPUT"</u></p> <p>Faulty/Incorrect Ignition connection to LED modules</p> <p>Faulty ground</p> <p>Faulty Unit</p>	<p>Check 12V & GND INPUT connections for loose or missing wires.</p> <p>Check installed fuse, if this is faulty replace it.</p> <p>Check if Ignition wire has constant +12V output when vehicle is running.</p> <p>Check Vehicle Chassis "Ground" connection</p> <p>Return Unit for replacement</p>
<p>Input power OK- No output to connected Lamps</p> <p>Lamps not on "STEADY BURN"</p>	<p>Faulty connection from Flasher module (FS2100-S) terminal block to Lamps.</p> <p>Faulty connection to STEADY BURN input terminal on Flasher module.</p> <p>Faulty Unit</p>	<p>Ensure that these wires are firmly secured with the terminal screw and does not pull out when tugged.</p> <p>Verify that all Input and Output wires are properly connected and firmly secured by the terminal screw.</p> <p>Return Unit for replacement</p>
Partial output from Flasher module; connections check out, connected Lamps check out, one or more outputs dead.	Faulty Unit	Return for replacement

WARRANTY

D & R Electronics warrants its new products to be free from defects in material and workmanship, under normal use and service for a period of one year on parts replacement.

This warranty applies only to original purchasers acquiring the product directly from D&R Electronics, or its authorized dealers. Warranty will not be recognized without proof of purchase or bill of sale.

This warranty is not transferable.

The warranty begins on the date of delivery to the first user/purchaser.

This warranty shall not apply to products which must be repaired due to normal wear and tear, negligence, improper installation, abuse, misuse, or which have been altered or modified at a facility other than D & R Electronics, or its authorized depot centers.

Units proved to be defective within the warranty period, based on an examination by D&R Electronics, will be replaced or repaired at D & R Electronics' option. This warranty does not cover travel expenses or labor charges for removal or installation.

Lamps, flash tubes, batteries or other items considered consumables are not covered under warranty.

This warranty is in lieu of all other express warranties. D&R Electronics makes no warranties, expressed or implied, other than the express warranties contained herein.

PRODUCT RETURN POLICY

In order to provide you with faster service, product returns for repair or replacement, must have a **Return Goods Authorization Number (RGA number)**. Please contact our company to obtain a RGA number before you return the product to D & R ELECTRONICS. Write the RGA number clearly on the package. Be sure you use sufficient packing materials to avoid damage to the product being returned while in transit.

D & R ELECTRONICS assumes no responsibility or liability for expenses incurred for the removal and/or the installation of products requiring service and/or repair. Repairing or replacing product is at the discretion of D & R ELECTRONICS.

D&R ELECTRONICS Co. LTD.

CANADA

8820 George Bolton Pkwy.
Bolton, Ontario L7E 2Y4
Tel: (905) 951-9997
Fax: (905) 951-0019

USA

2299 Kenmore Avenue
Building 3, Doors 11-14
Buffalo, New York 14207
Toll Free: 1-800-538-7338

www.dandrelectronics.com