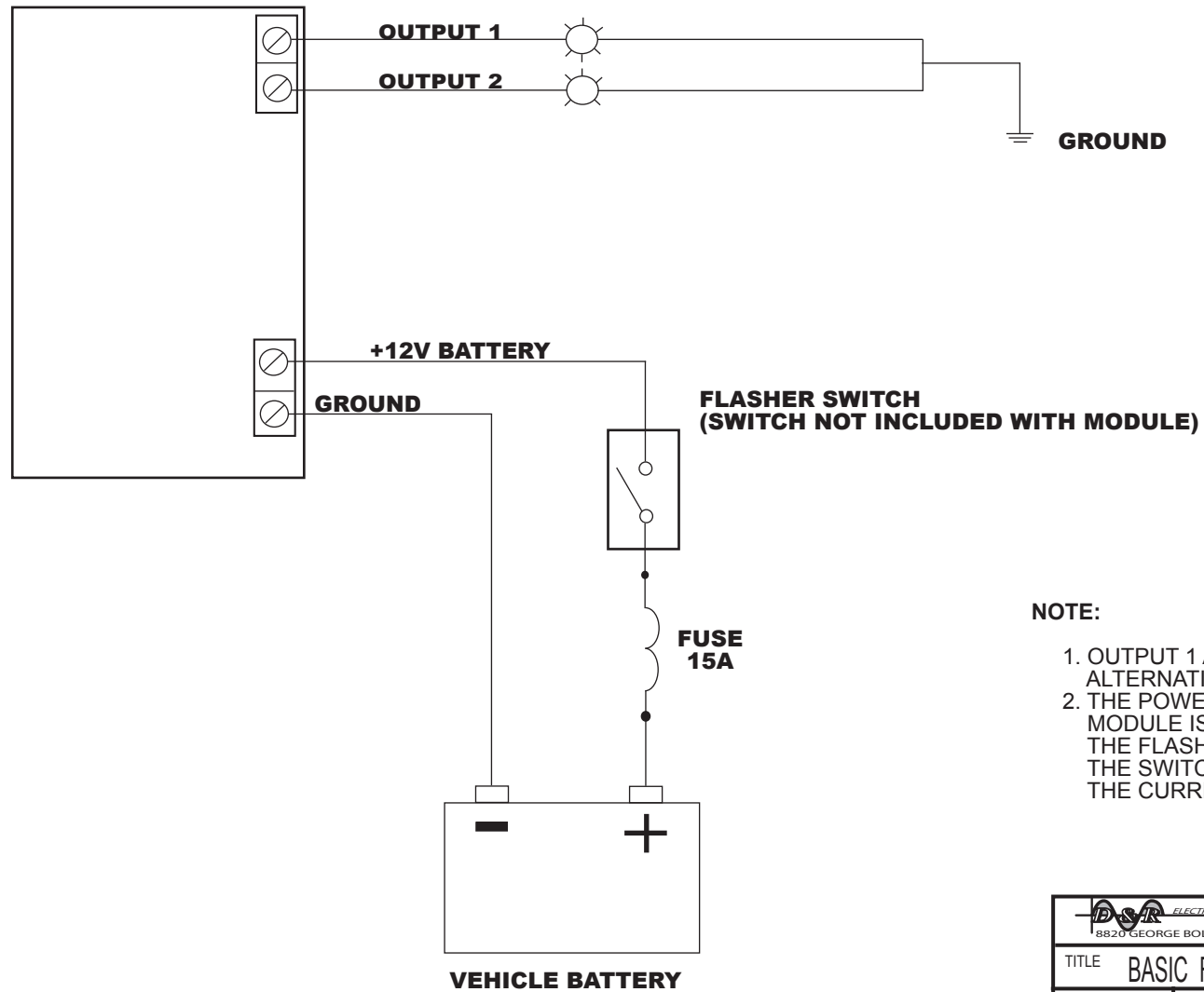



# BASIC FLASHER MODULE (MODEL: FS2000S)



**NOTE:**

1. OUTPUT 1 AND OUTPUT 2 ARE ALTERNATING.
2. THE POWER FOR THE FLASHER MODULE IS SUPPLIED THROUGH THE FLASHER SWITCH. THE SWITCH HAS TO WITHSTAND THE CURRENT IN LOAD.

 <b>DSR</b> ELECTRONICS CO. <small>INC.</small>		<small>TEL.: (905) 951 9997</small>
<small>8820 GEORGE BOLTON PKWY, BOLTON, ONTARIO L7E 2Y4, CANADA</small>		
<b>TITLE BASIC FLASHER MODULE SOLID STATE</b>		
<small>SIZE</small> <b>A3</b>	<small>NUMBER</small> <b>FS2000S</b>	<small>REV</small>
<small>DATE</small> <b>MAY 05, 2016</b>		<small>DRAWN BY</small> <b>CRISTIAN</b>
<small>FILENAME</small> <b>FS2000S</b>		<small>SHEET</small> <b>1 OF 1</b>