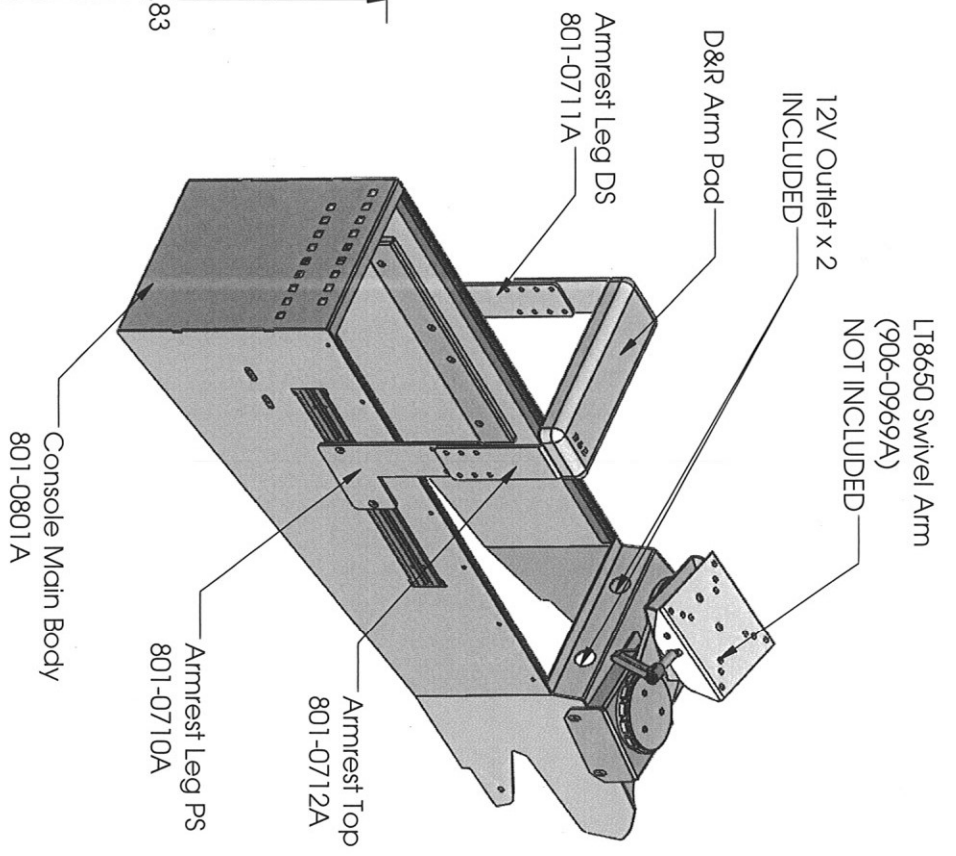
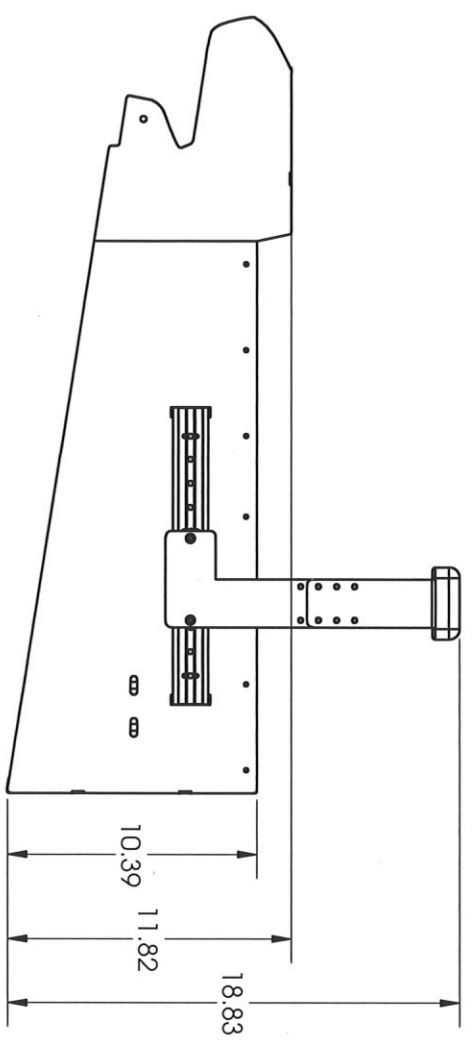
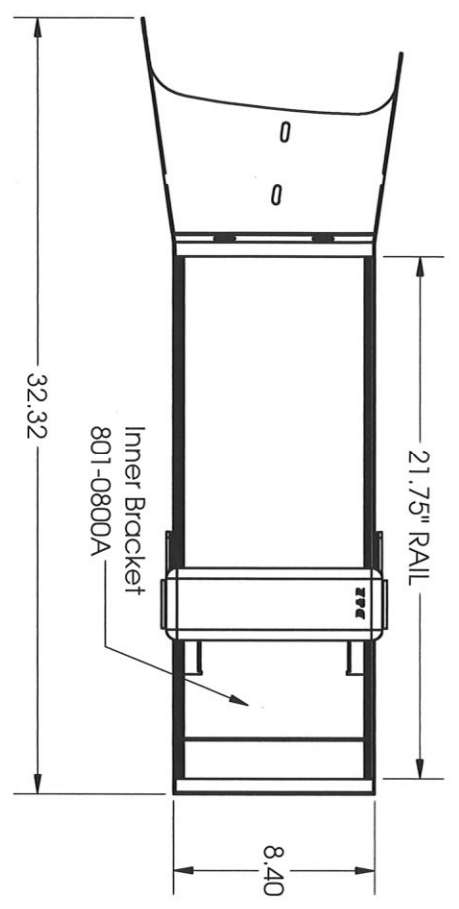


REV.	DESCRIPTION	DCR	BY	DATE	APPROVED



Hardware List

Item NO.	Description	Part Number	Qty
1	1/4-20 x 3/4" Carriage Bolt	401-0043	4
2	1/4 Flat Washer	403-0005A	4
3	1/4-20 Nyloc Nut	422-0009	4

FINISH	MATERIAL	REV.
Black Midnight Wrinkle	XXGg CRS	0

NAME	DATE	SIZE
EB	16SEP21	A

CHECKED	DATE	DESCRIPTION
AD	16SEP21	2021 Dodge Durango Center Console with Sliding Armrest

FILE	DATE	DESCRIPTION
901-0179A	September 17, 2021 3:51:45 PM	2021 Dodge Durango Center Console with Sliding Armrest

MFG. NO.	CATALOG. NO.
901-0179A	XXX

THE INFORMATION CONTAINED WITHIN THIS DRAWING IS PROPRIETARY AND CONFIDENTIAL AND IS THE SOLE PROPERTY OF DANDR ELECTRONICS CO., LTD. IT MAY NOT BE REPRODUCED AT WHOLE OR IN PART WITHOUT THE WRITTEN PERMISSION OF DANDR ELECTRONICS CO., LTD.

DANDR-ANSI-A
REV2
APRIL 1, 2009

Part: M:\MECH-DATA\901 Consolas\901-0179A Dodge Durango Console with Sliding Armrest

File: 901-0179A
Date: September 17, 2021 3:51:45 PM

DESCRIPTION:
2021 Dodge Durango Center Console with Sliding Armrest

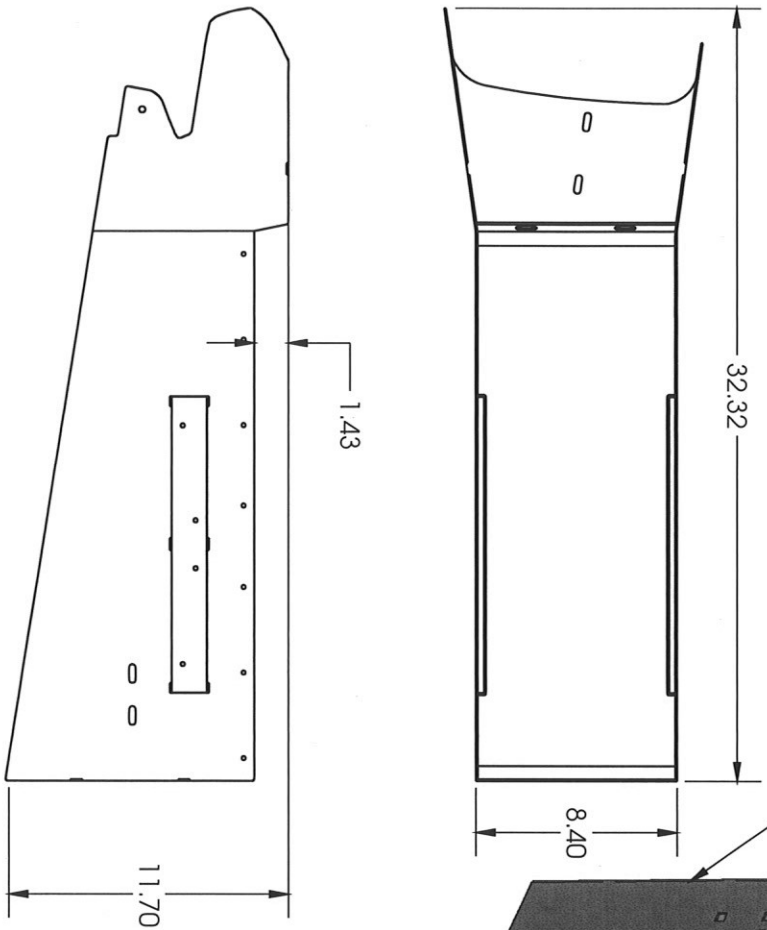
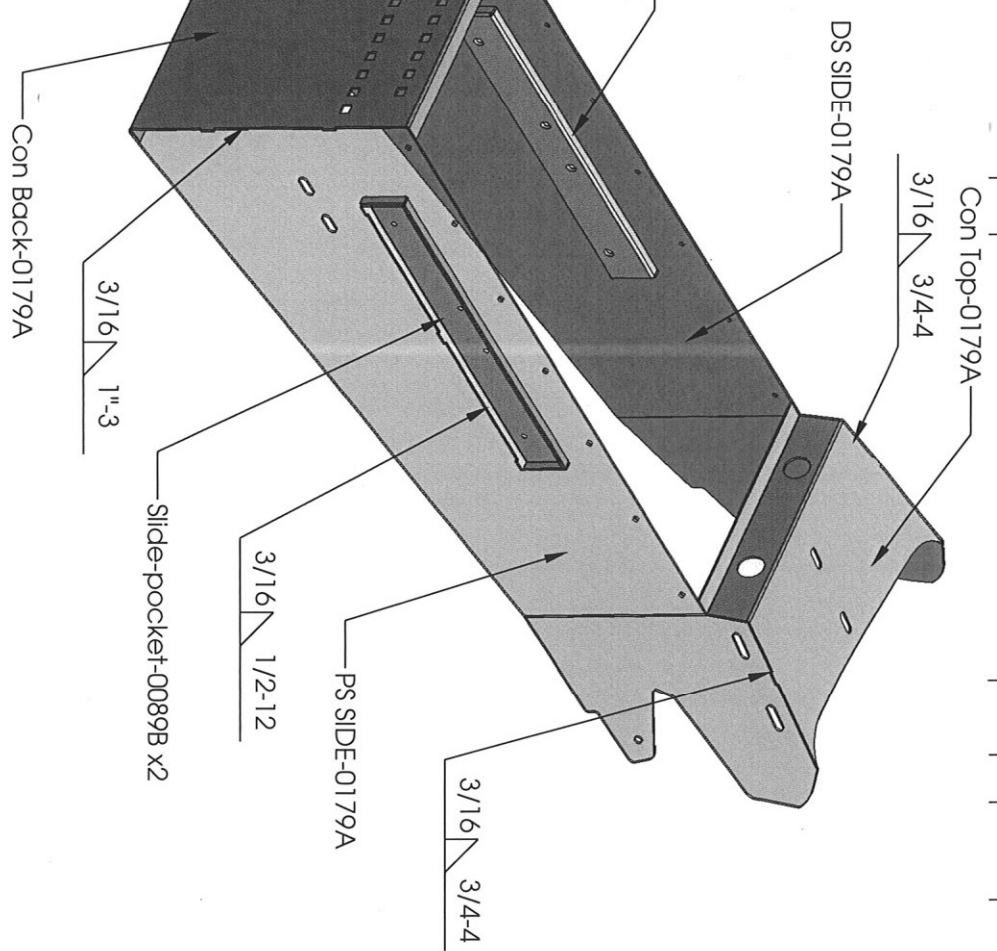
MFG. NO.
901-0179A

CATALOG. NO.
XXX

SHEET 1 OF 1

REV. 0

REV.	DESCRIPTION	DCR	BY	DATE	APPROVED



NAME	DATE	SIZE
EB	17SEPT21	DANR-ANSI-A REV2 APRIL 1, 2009 A
AD	17SEPT21	

Part: M:\MECH DESIGN\Ermo Design\901-0179A Dodge Durango Console with Slider
 File: 801-0801A
 Date: September 17, 2021 12:30:47 PM

DESCRIPTION:
 2021 Dodge Durango Console Welding Assembly

INFO. NO.: 801-0801A
USED ON: 901-0179A
CATALOG. NO.: XXX

FINISH: Black Midnight Winkle
MATERIAL: 0.075" CRS
REV.: 0

THE INFORMATION CONTAINED WITHIN THIS DRAWING IS PROPRIETARY AND CONFIDENTIAL. AND IS THE SOLE PROPERTY OF DANDR ELECTRONICS CO. LTD. IT MAY NOT BE REPRODUCED AT WHOLE OR IN PART WITHOUT THE WRITTEN PERMISSION OF DANDR ELECTRONICS CO. LTD.

SHEET 1 OF 1