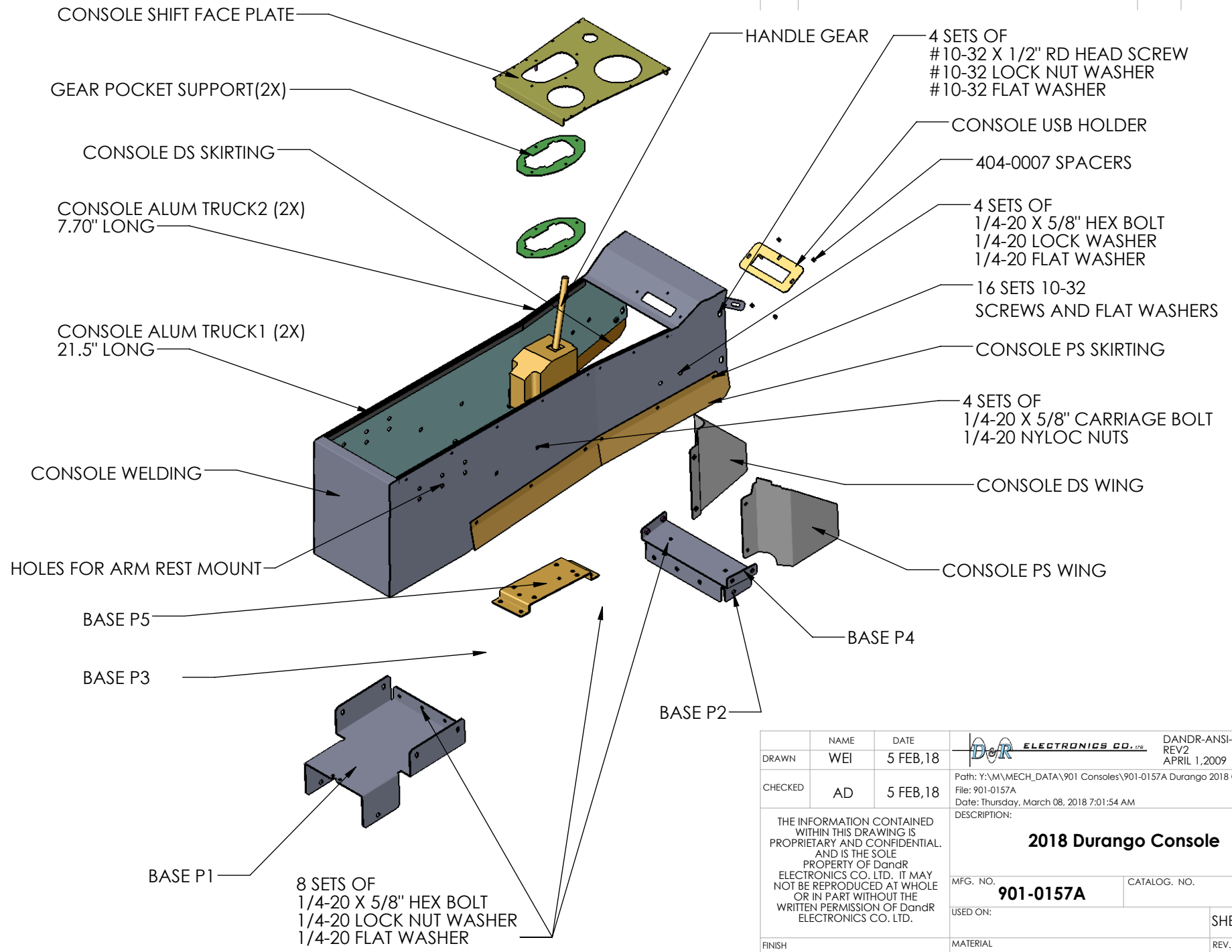
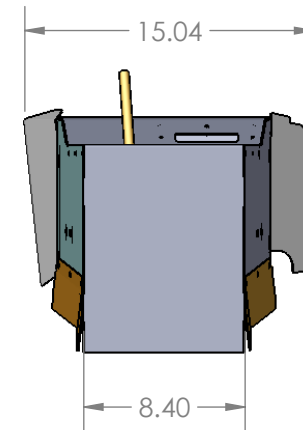
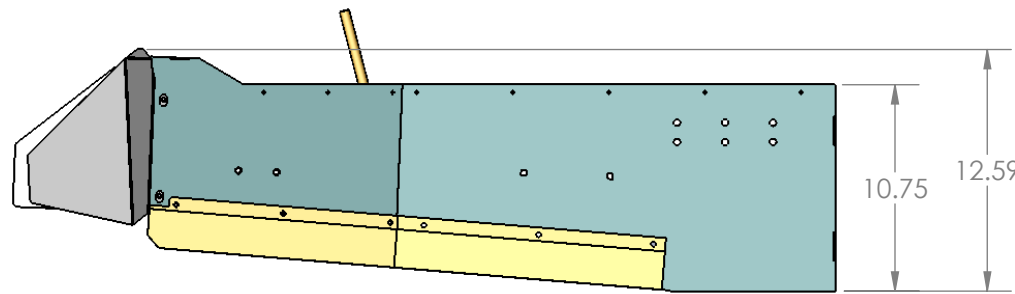
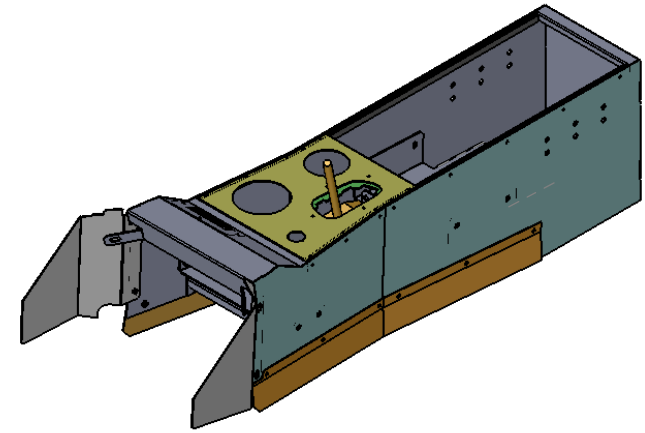
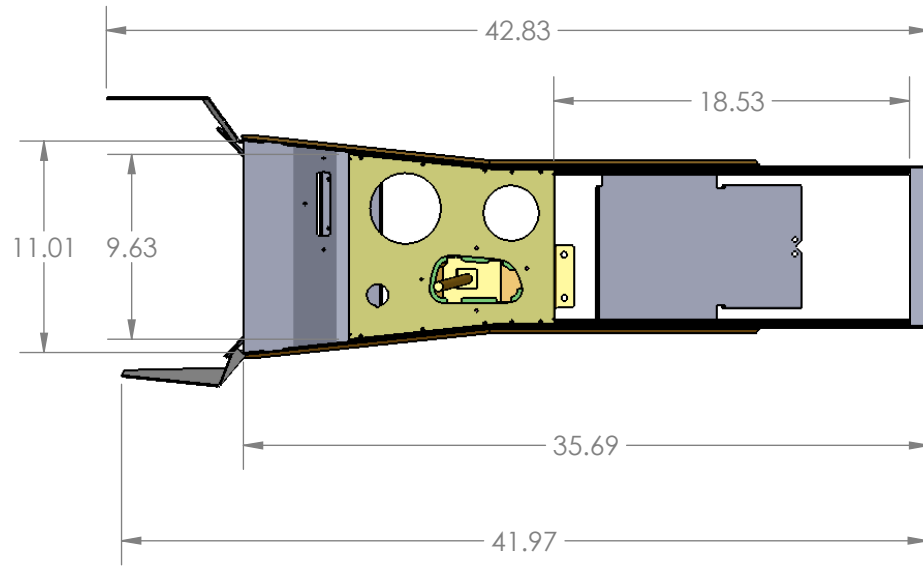


REV.	DESCRIPTION	BY	DATE	APPROVED



	NAME	DATE	<b>DANDR ELECTRONICS CO., LTD.</b> DANDR-ANSI-A REV2 APRIL 1, 2009	SIZE
DRAWN	WEI	5 FEB, 18		<b>A</b>
CHECKED	AD	5 FEB, 18	Path: Y:\M\MECH_DATA\901 Consoles\901-0157A Durango 2018 Console\ File: 901-0157A Date: Thursday, March 08, 2018 7:01:54 AM DESCRIPTION:	
THE INFORMATION CONTAINED WITHIN THIS DRAWING IS PROPRIETARY AND CONFIDENTIAL. AND IS THE SOLE PROPERTY OF DandR ELECTRONICS CO. LTD. IT MAY NOT BE REPRODUCED AT WHOLE OR IN PART WITHOUT THE WRITTEN PERMISSION OF DandR ELECTRONICS CO. LTD.			<b>2018 Durango Console</b>	
			MFG. NO.	CATALOG. NO.
			<b>901-0157A</b>	
			USED ON:	SHEET 1 OF 2
FINISH	MATERIAL		REV.	
BLACK MIDNIGHT WRINKLE	12GA/14GA CRS		0	

REV.	DESCRIPTION	BY	DATE	APPROVED



HARDWARE

	Part Number	Quantity	Description
1		4	1/4-20 x 1 1/4" Rd Head Bolt
2		12	1/4-20 x 5/8" Rd Head Bolt
3		12	1/4 Lock Washer
4		12	1/4 Flat Washer
5		4	#10-32 x 5/8" Rd Head Bolt
6		4	#10 Flat Washer
7		11	#6-32 Lock Nut
8		11	#6 Lock Nut Washer
9	404-0007	8	Spacer

NAME	DATE	DANDR ELECTRONICS CO., LTD.		DANDR-ANSI-A	SIZE
WEI	5 FEB, 18	DandR		REV2	A
CHECKED	AD	Date: Thursday, March 08, 2018 7:01:54 AM		APRIL 1, 2009	
DESCRIPTION:		2018 Durango Console			
MFG. NO.		901-0157A		CATALOG. NO.	
USED ON:				SHEET 2 OF 2	
FINISH	MATERIAL	12GA/14GA CRS		REV.	0
BLACK MIDNIGHT WRINKLE					

Path: Y:\M\MECH\_DATA\901 Consoles\901-0157A Durango 2018 Console\  
 File: 901-0157A  
 Date: Thursday, March 08, 2018 7:01:54 AM

THE INFORMATION CONTAINED  
 WITHIN THIS DRAWING IS  
 PROPRIETARY AND CONFIDENTIAL.  
 AND IS THE SOLE  
 PROPERTY OF DandR  
 ELECTRONICS CO. LTD. IT MAY  
 NOT BE REPRODUCED AT WHOLE  
 OR IN PART WITHOUT THE  
 WRITTEN PERMISSION OF DandR  
 ELECTRONICS CO. LTD.