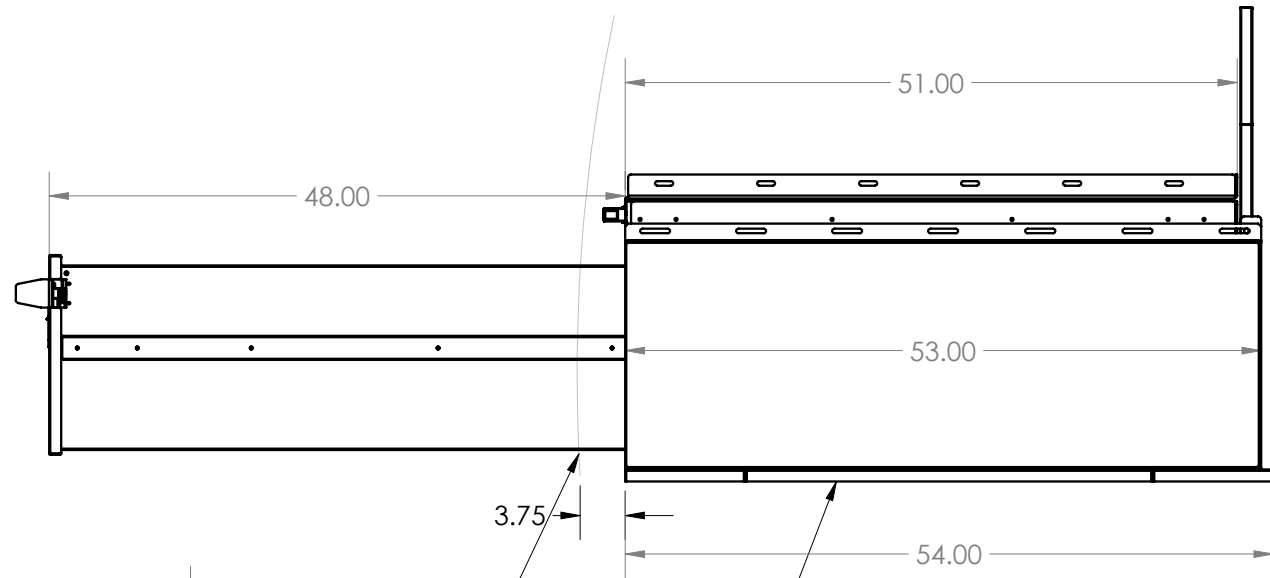


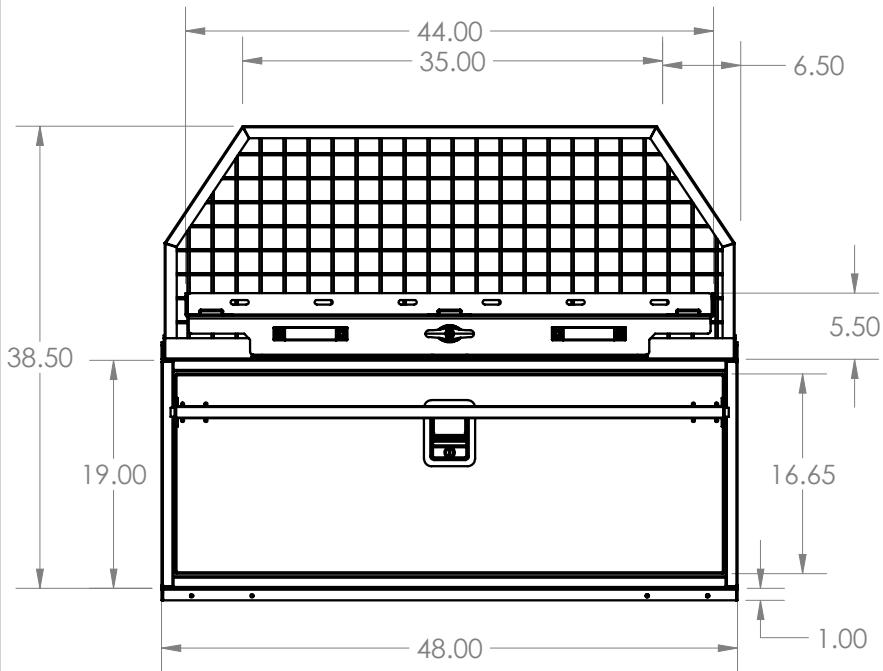
REV.	DESCRIPTION	REV.	DESCRIPTION	BY	DATE	APPROVED



Subframe
933-0104A (OPTIONAL)

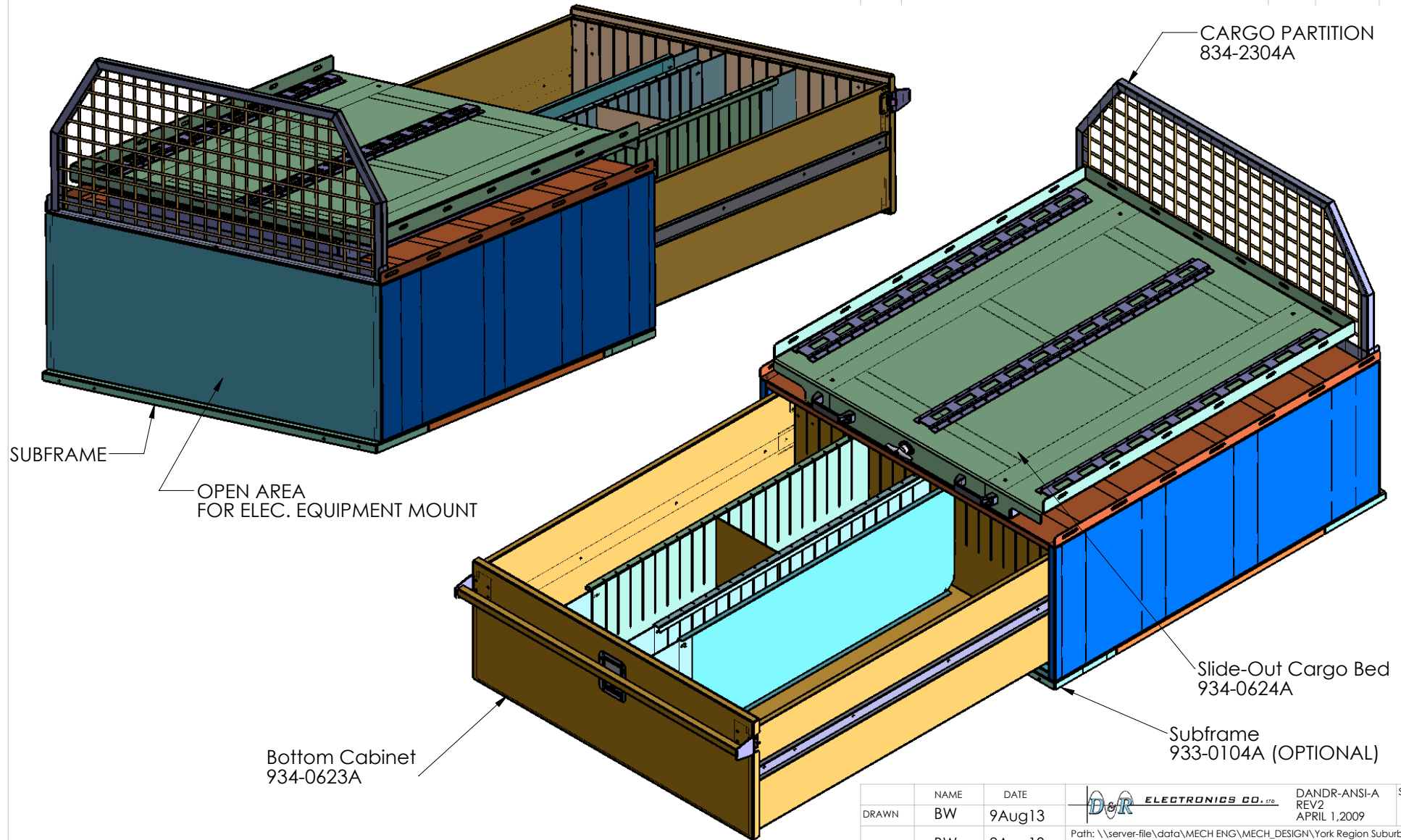
2 Pair of 48" Slide (C3320-48)

3D VIEW SEE NEXT SHEET



	NAME	DATE	ELECTRONICS CO., LTD. DANDR-ANSI-A REV2 APRIL 1, 2009	SIZE
DRAWN	BW	9Aug13		A
CHECKED	AD	9Aug13	Path: \\server-file\data\MECH ENG\MECH_DESIGN\York Region Suburban\ File: 934-0622A Date: Tuesday, August 13, 2013 8:53:39 AM	
THE INFORMATION CONTAINED WITHIN THIS DRAWING IS PROPRIETARY AND CONFIDENTIAL AND IS THE SOLE PROPERTY OF DANDR ELECTRONICS CO., LTD. IT MAY NOT BE REPRODUCED AT WHOLE OR IN PART WITHOUT THE WRITTEN PERMISSION OF DANDR ELECTRONICS CO., LTD.			DESCRIPTION: TS-01 with Upper Slide Out 2013 Suburban	
FINISH			MFG. NO.	CATALOG. NO.
Midnight Black Winkle			934-0622A	XXX
			USED ON:	SHEET 1 OF 2
			9XX-XXXX	
			MATERIAL	REV.
			Aluminum	0

REV.	DESCRIPTION	BY	DATE	APPROVED



	NAME	DATE	ELECTRONICS CO., LTD. DANDR-ANSI-A REV2 APRIL 1, 2009	SIZE
DRAWN	BW	9Aug13		A
CHECKED	BW	9Aug13	Path: \\server-file\data\MECH ENG\MECH_DESIGN\York Region Suburban\ File: 934-0622A Date: Tuesday, August 13, 2013 8:53:39 AM	
THE INFORMATION CONTAINED WITHIN THIS DRAWING IS PROPRIETARY AND CONFIDENTIAL. AND IS THE SOLE PROPERTY OF DandR ELECTRONICS CO. LTD. IT MAY NOT BE REPRODUCED AT WHOLE OR IN PART WITHOUT THE WRITTEN PERMISSION OF DandR ELECTRONICS CO. LTD.			DESCRIPTION: TS-01 with Upper Slide Out 2013 Suburban	
			MFG. NO.	CATALOG. NO.
			934-0622A	XXX
			USED ON:	SHEET 2 OF 2
			9XX-XXXX	
FINISH	MATERIAL	REV.		
Midnight Black Wrinkle	Aluminum	0		