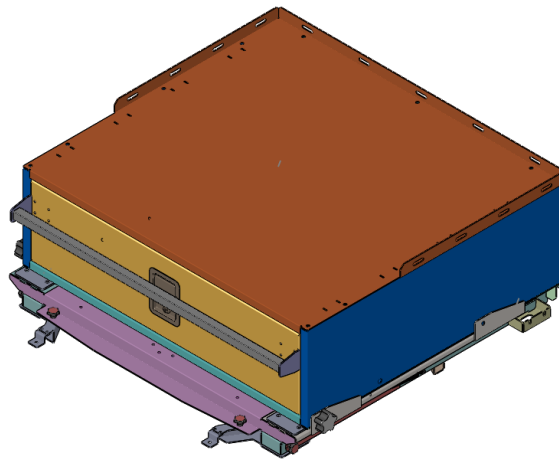




934-0756A Ford Explorer Custom Cabinet

Installation Manual



Contents

Parts List-----1
 Description-----2
 Installation Instructions-----2
 Warranty & Product Return Policy-----6

Parts List

Quantity:	Part #:	Description:
1	934-0756A	Cabinet
1	933-0113A	Liftable Subframe
2	833-1493A	Cabinet Holding Brkt

DESCRIPTION

This storage drawer is made for a Ford Explorer

INSTALLATION INSTRUCTIONS

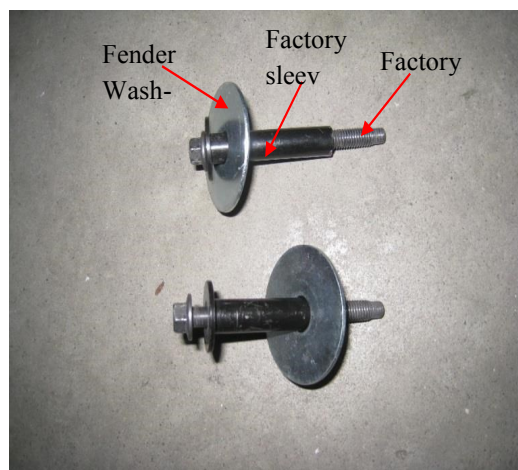
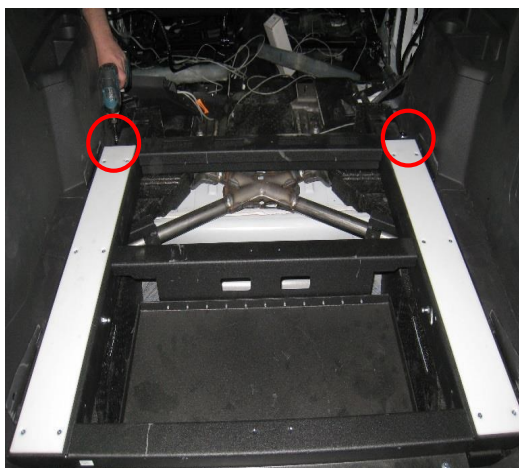
Step 1

-Remove Factory Bolt and Sleeve



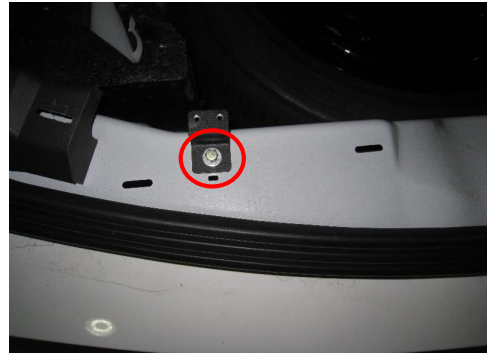
Step 2

Install the 933-0113A Lifiable subframe and secure using factory bolt and sleeve removed in step 1. Install fender washer on to the sleeve.



Step 3

Make sure the plastic sill at the rear hatch is installed before installing the bracket on to the sill. Use M6 x 1/2" bolt with a washer to secure the bracket to the rear hatch sill of the vehicle



Step 4

Use two #10 screws with a washer to secure the bracket on the sill to the bracket on the liftable subframe



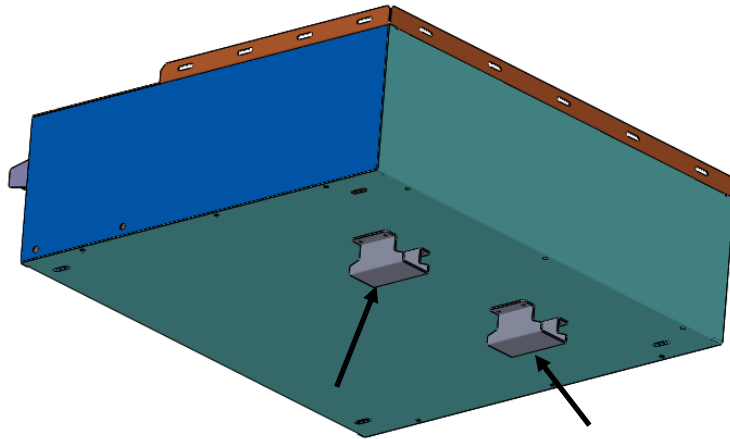
Step 5

Install the two *brackets* to the *reinforcement brace* and line up the holes. Use four 1/4" X 20 X 3/4" length *bolts* with a *washer* to secure the *bracket* to the 933-0113A *liftable subframe*. Two *bolts* and two *washers* per side.



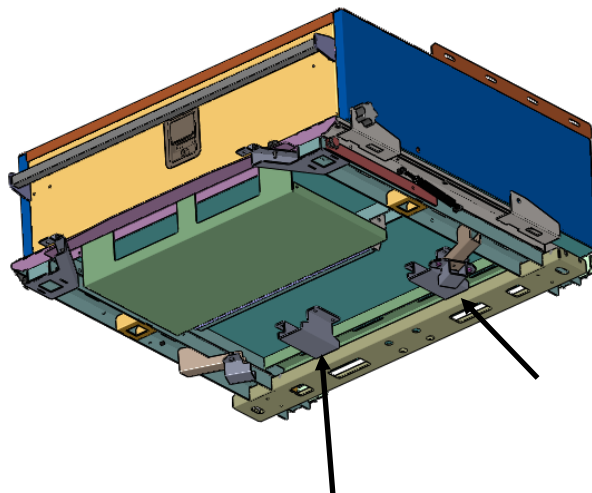
Step 6

Secure the Cabinet holding brackets to the cabinet base.



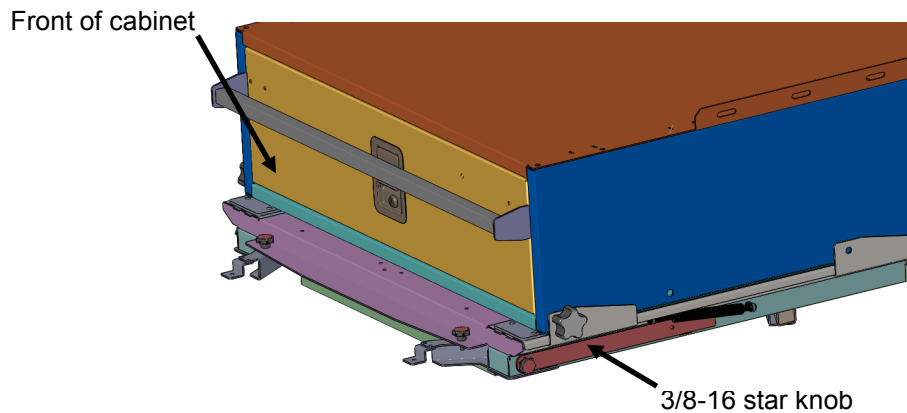
Step 7

Slide in the cabinet and locate the rear holding brackets against the channel on the subframe.



Step 8

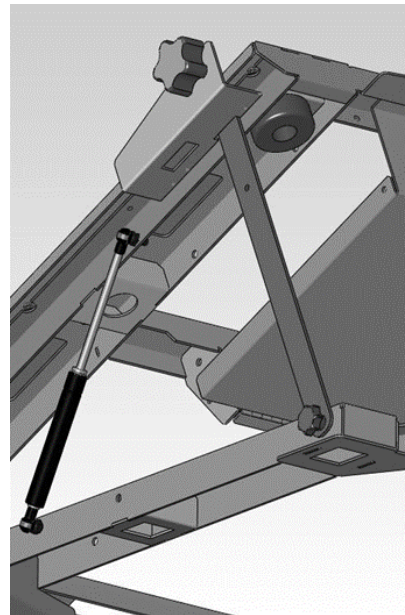
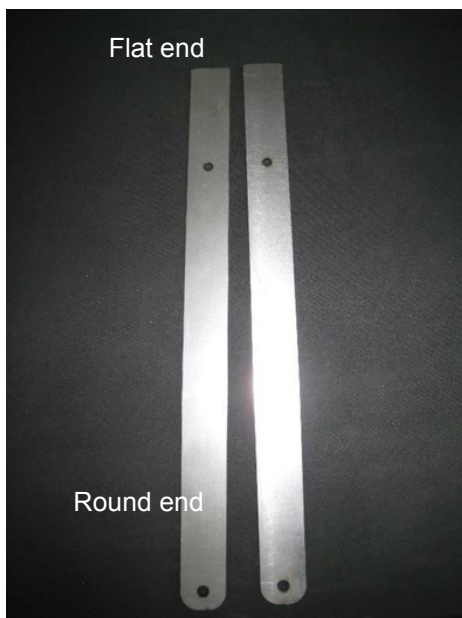
Secure the cabinet in place using 3/8-16 star knobs.



Install knob on the other side in the same way.

Step 9

Lift the 934-0756A cabinet and install the support bar one at a time and secure using a 1/4" X 20 star knob. Slide the flat end of the support bar into the slot. The rounded end will match up with the hole on the 933-0113A liftable subframe.



WARNING: Always secure the cabinet when lifting. Serious injury or death may occur if not secured.

WARRANTY

D & R Electronics warrants its new products to be free from defects in material and workmanship, under normal use and service for a period of one year on parts replacement and one year on labor.

This warranty applies only to original purchasers acquiring the product directly from D&R Electronics, or its authorized dealers. Warranty will not be recognized without proof of purchase or bill of sale.

This warranty is not transferable.

The warranty begins on the date of delivery to the first user/purchaser.

This warranty shall not apply to products which must be repaired due to normal wear and tear, negligence, improper installation, abuse, misuse, or which have been altered or modified at a facility other than D & R Electronics, or its authorized depot centers.

Units proved to be defective within the warranty period, based on an examination by D&R Electronics, will be replaced or repaired at D & R Electronics' option. This warranty does not cover travel expenses or labor charges for removal or installation.

Lamps, flash tubes, batteries or other items considered consumables are not covered under warranty.

PRODUCT RETURN POLICY

In order to provide you with faster service, product returns for repair or replacement, must have a **Return Goods Authorization Number (RGA number)**. Please contact our company to obtain a RGA number before you return the product to D & R ELECTRONICS. Write the RGA number clearly on the package. Be sure you use sufficient packing materials to avoid damage to the product being returned while in transit.

D & R ELECTRONICS assumes no responsibility or liability for expenses incurred for the removal and/or the installation of products requiring service and/or repair.

D&R ELECTRONICS Co. LTD.

CANADA

8820 George Bolton Pkwy.

Bolton, Ontario L7E 2Y4

Tel.: (905)951-999

Fax: (905)951-0019

USA

2321 Kenmore Ave

Buffalo, NY, 14207

Toll Free 1-800-538-7338

www.dandrelectronics.com