

## Installation Manual-933-0104A



### 2009-2014 CHEVY SUBURBAN / GMC YUKON SUBFRAME INSTALLATION

**Part Number: 933-0104A**

Note:

Images shown herein belong to a Tahoe.  
Suburban / Yukon are extended versions of the Tahoe.

## Parts List:

Item	Part Number	Part Description	Quantity
1	933-0104A	Sub-Frame for 2009-2014 Yukon/Suburban	1
2	407-0015	NUT RETAINER, 3/8-16 UNC	4
3	401-0023	BOLT, 1/4-20x3/4"L, HEX, ZINC	8
4	403-0004	1/4" LOCK WASHER	8
5	401-2063	CAP SCREW, M12x55mm L, HEX DRIVE	2
6	401-2062	HEX BOLT, M10X55mm L	2
8	401-0042	BOLT, 3/8-16x1", HEX ZINC	4
9	403-0008	FLAT WASHER, 3/8" ZINC	4
10	403-0012	LOCK WASHER, 3/8" ZINC	4

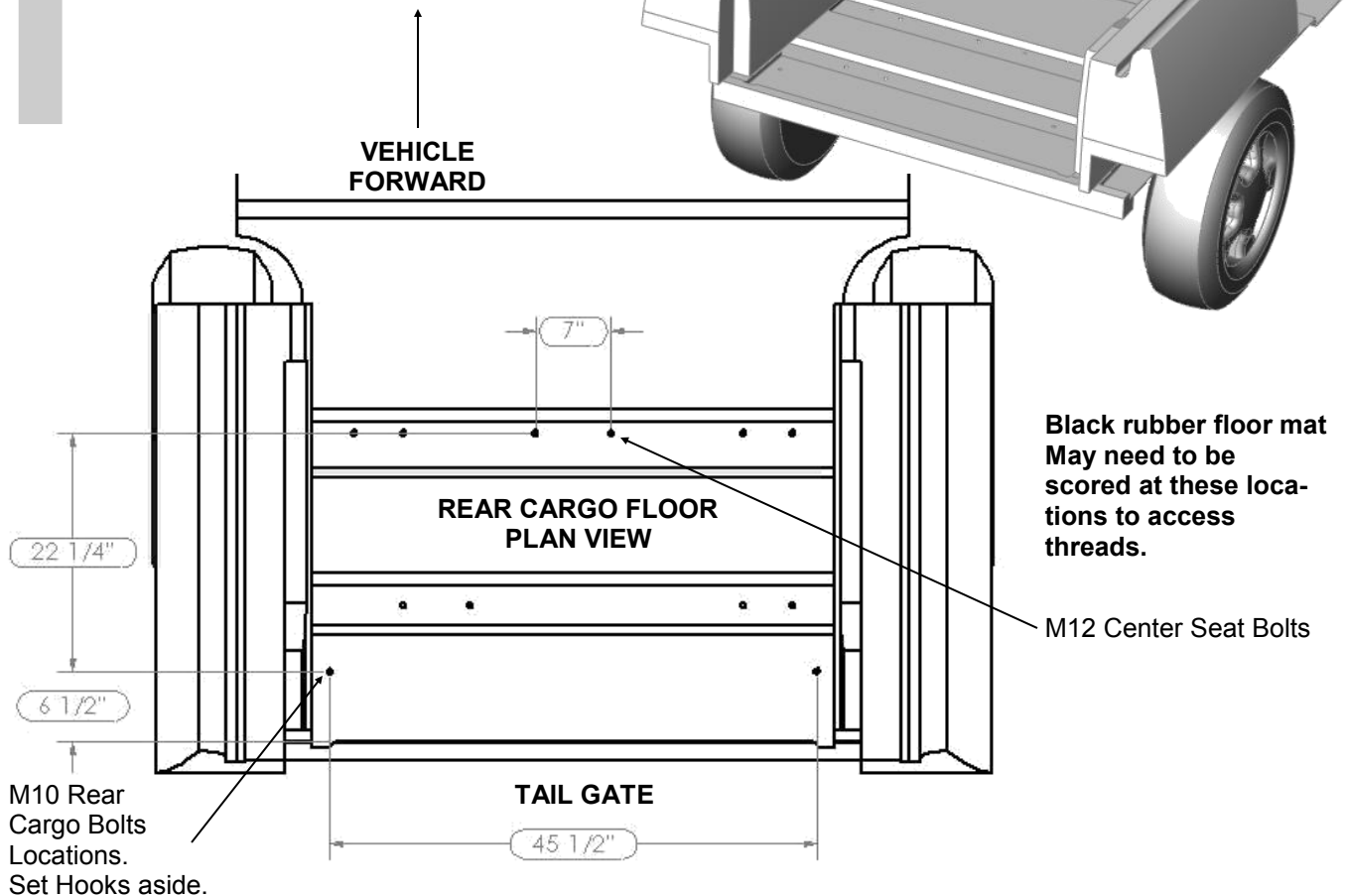
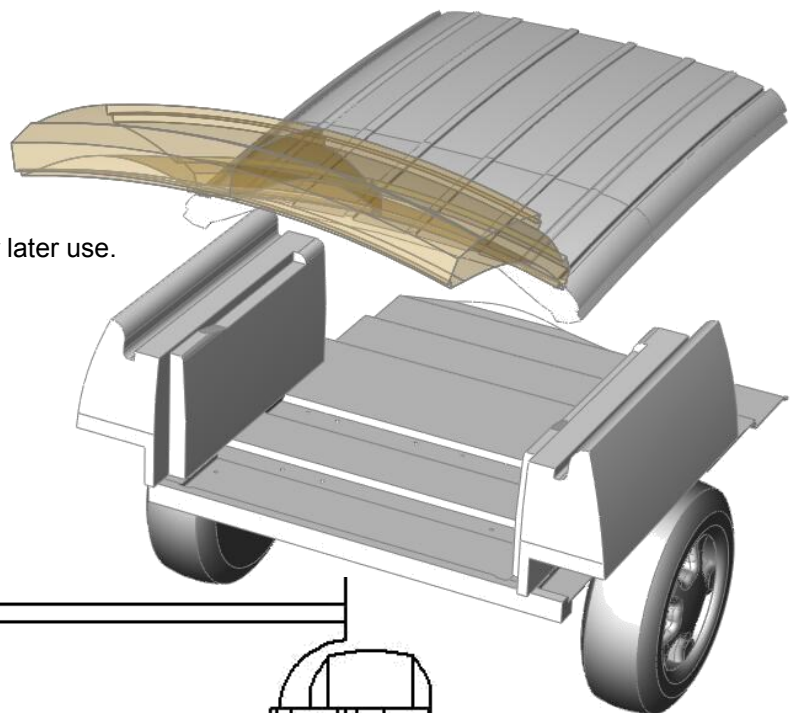
## Installation Instructions:

### Step 1

Remove loose trunk contents, spare tire and back seat assembly.  
Set aside all attachment hardware for later use.

# 1

Locate cargo area floor bolt locations.

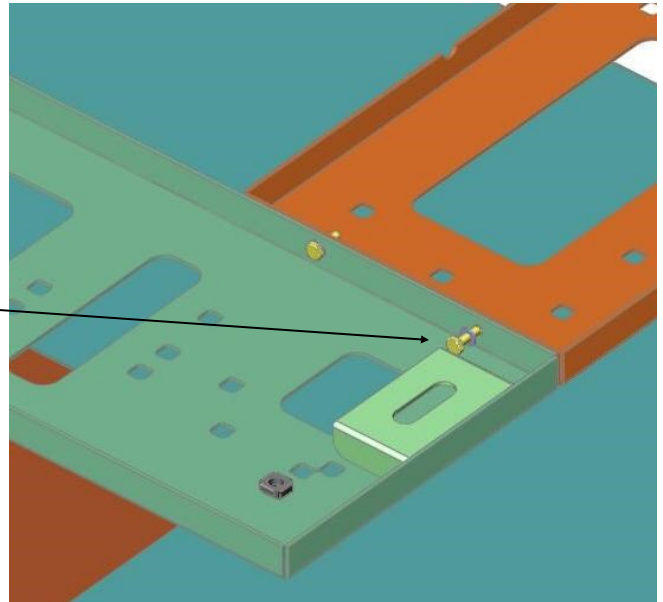


# 2

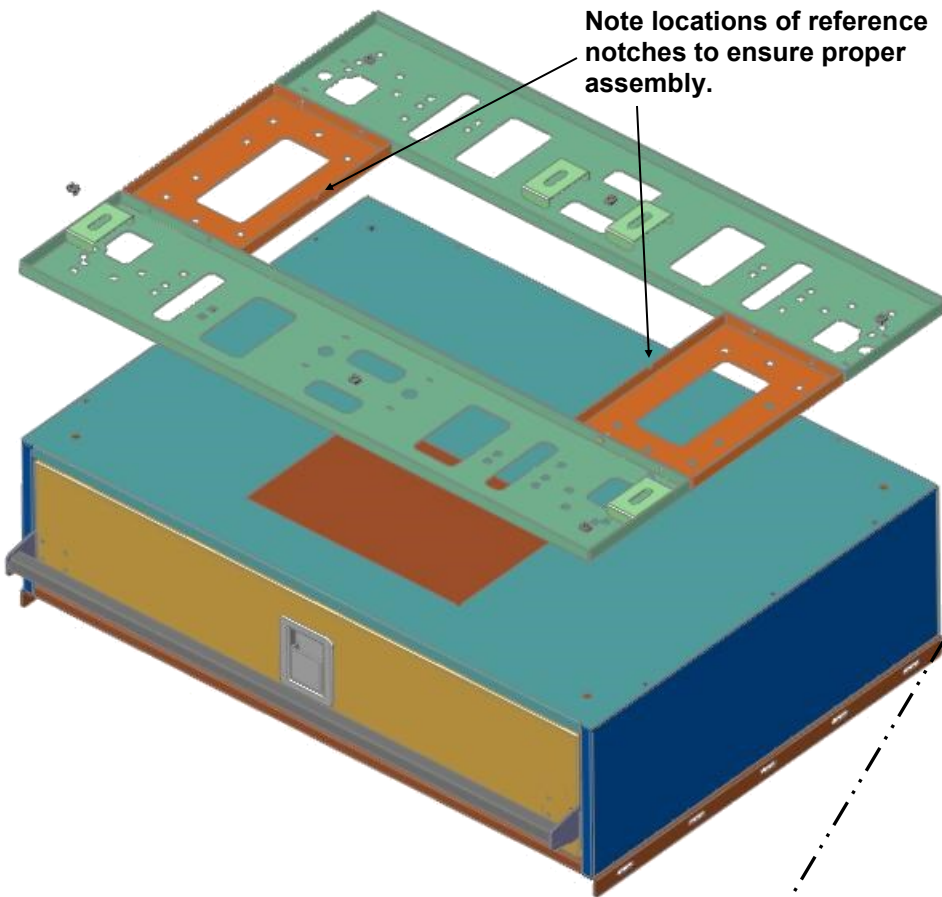
## Step 2

Turn mating storage unit upside down on a protected work area.  
Pre-assemble Sub frame on bottom face of overturned storage unit as shown.

Assemble all four pieces of sub frame utilizing the supplied 1/4-20 hex bolts and 1/4" lock washers.

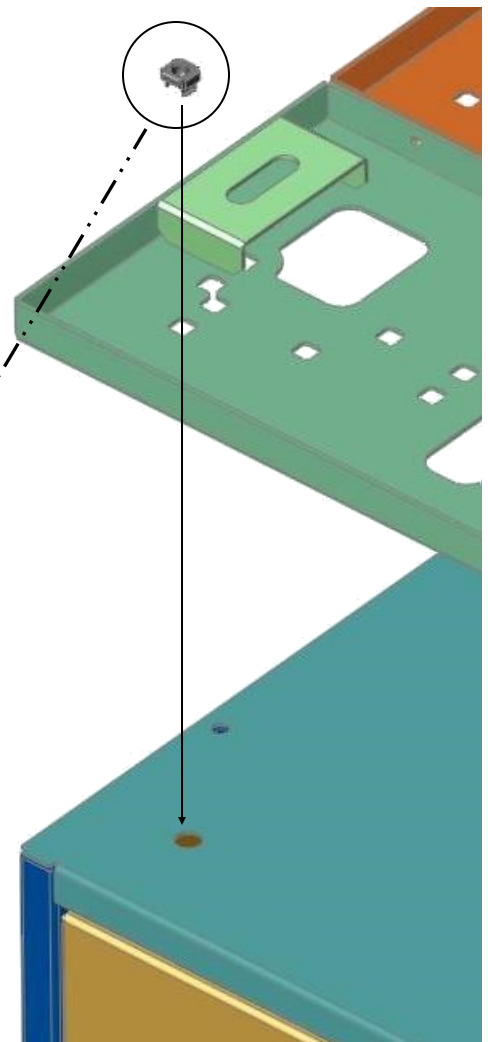
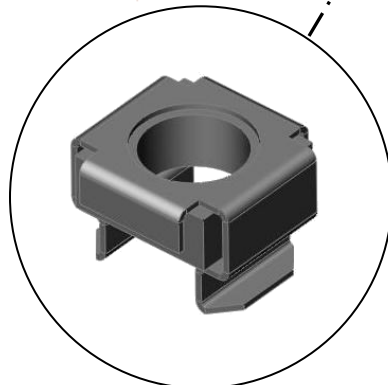


Note locations of reference notches to ensure proper assembly.



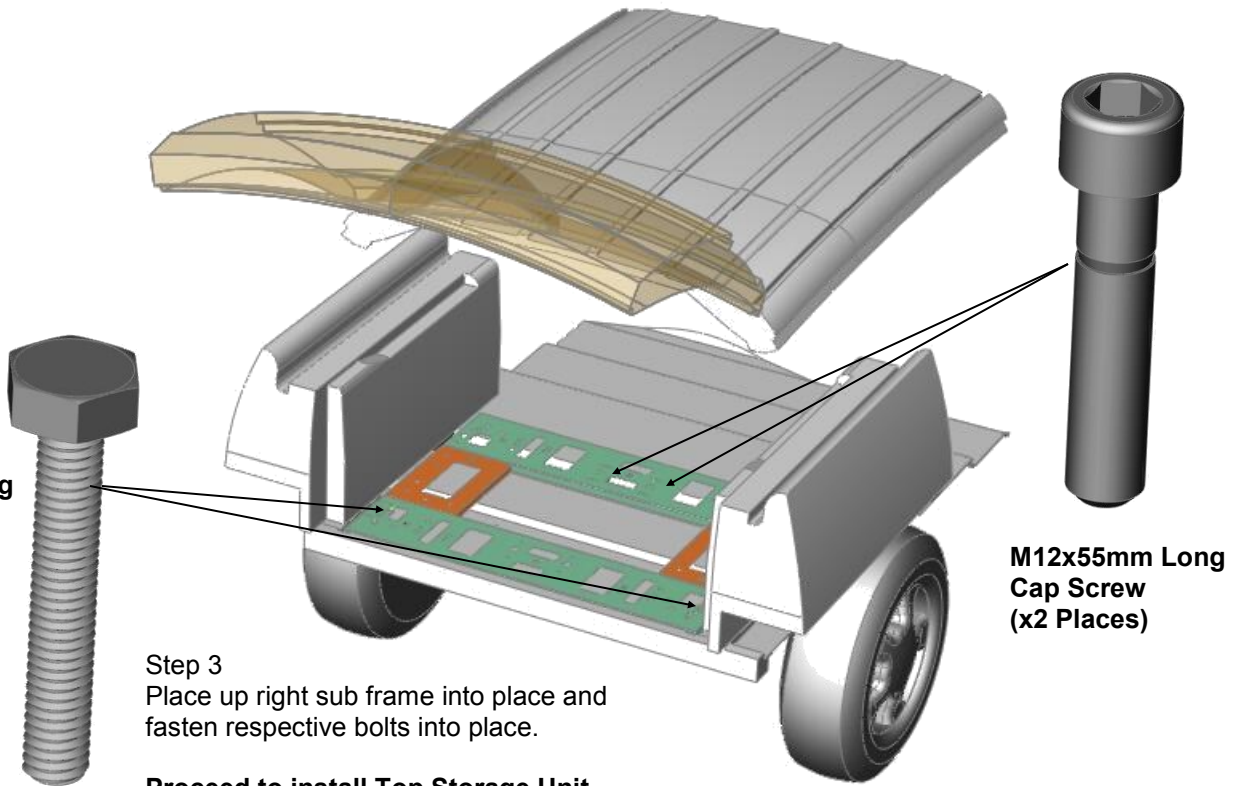
Align 3/8-16 retainer nuts with hole locations in bottom face of storage unit.

Snap retainer nuts into aligning location in sub frame.



# 3

**M10x55mm Long  
Hex Bolt and  
Washer  
(x2 Places)**



**M12x55mm Long  
Cap Screw  
(x2 Places)**

**Step 3**  
Place up right sub frame into place and  
fasten respective bolts into place.

**Proceed to install Top Storage Unit.**

---

D & R Electronics warrants its new products to be free from defects in material and workmanship, under normal use and service for a period of one year on parts replacement and one year on labor. This warranty applies only to original purchasers acquiring the product directly from D&R Electronics, or its authorized dealers. Warranty will not be recognized without proof of purchase or bill of sale. This warranty is not transferable.

The warranty begins on the date of delivery to the first user/purchaser.

This warranty shall not apply to products which must be repaired due to normal wear and tear, negligence, improper installation, abuse, misuse, or which have been altered or modified at a facility other than D & R Electronics, or its authorized depot centers.

Units proved to be defective within the warranty period, based on an examination by D&R Electronics, will be replaced or repaired at D & R Electronics' option. This warranty does not cover travel expenses or labor charges for removal or installation.

Lamps, flash tubes, batteries or other items considered consumables are not covered under warranty. This warranty is in lieu of all other express warranties. D&R Electronics makes no warranties, expressed or implied, other than the express warranties contained herein.

---

---

In order to provide you with faster service, product returns for repair or replacement, must have a **Return Goods Authorization Number (RGA number)**. Please contact our company to obtain a RGA number before you return the product to D & R ELECTRONICS. Write the RGA number clearly on the package. Be sure you use sufficient packing materials to avoid damage to the product being returned while in transit.

---

D & R ELECTRONICS assumes no responsibility or liability for expenses incurred for the removal and/or the installation of products requiring service and/or repair. Repairing or replacing product is at the discretion of D & R ELECTRONICS.

8820 George Bolton Parkway  
CANADA  
Bolton, Ontario, Canada, L7E 2Y4  
Phone (905) 951-9997  
Fax (905) 951-0019  
1-800-538-7338  
[www.dandrelectronics.com](http://www.dandrelectronics.com)

USA  
2321 Kenmore Ave.  
Buffalo, NY 14207