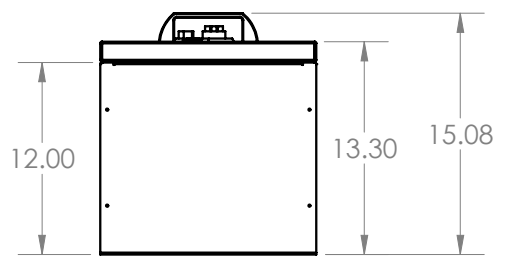
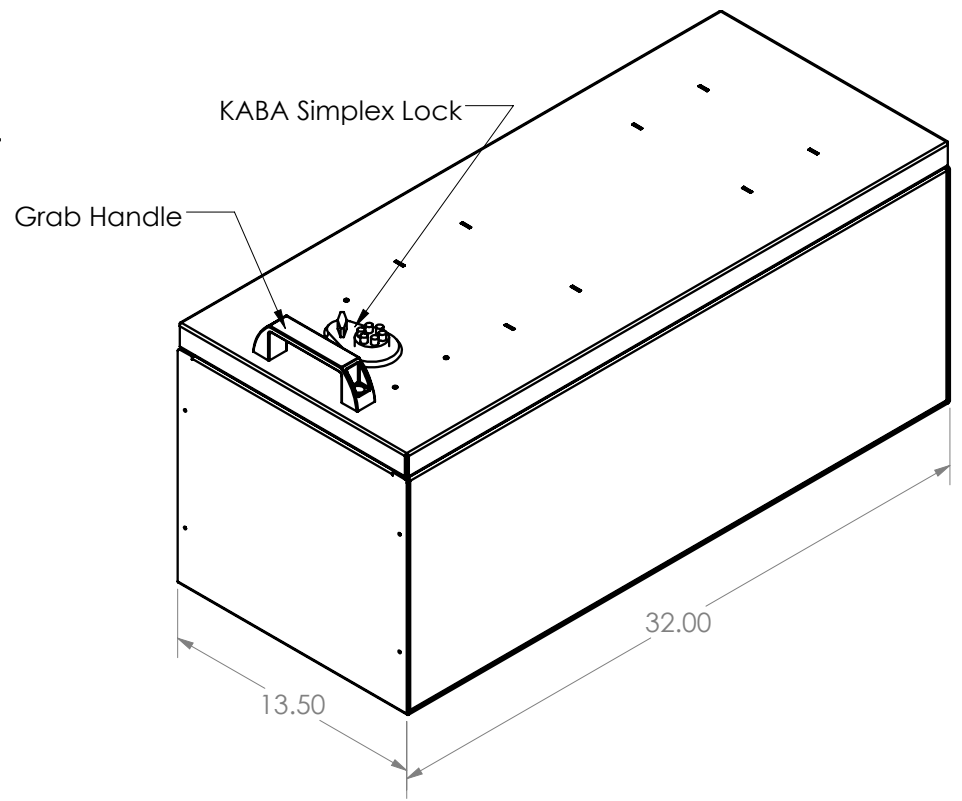
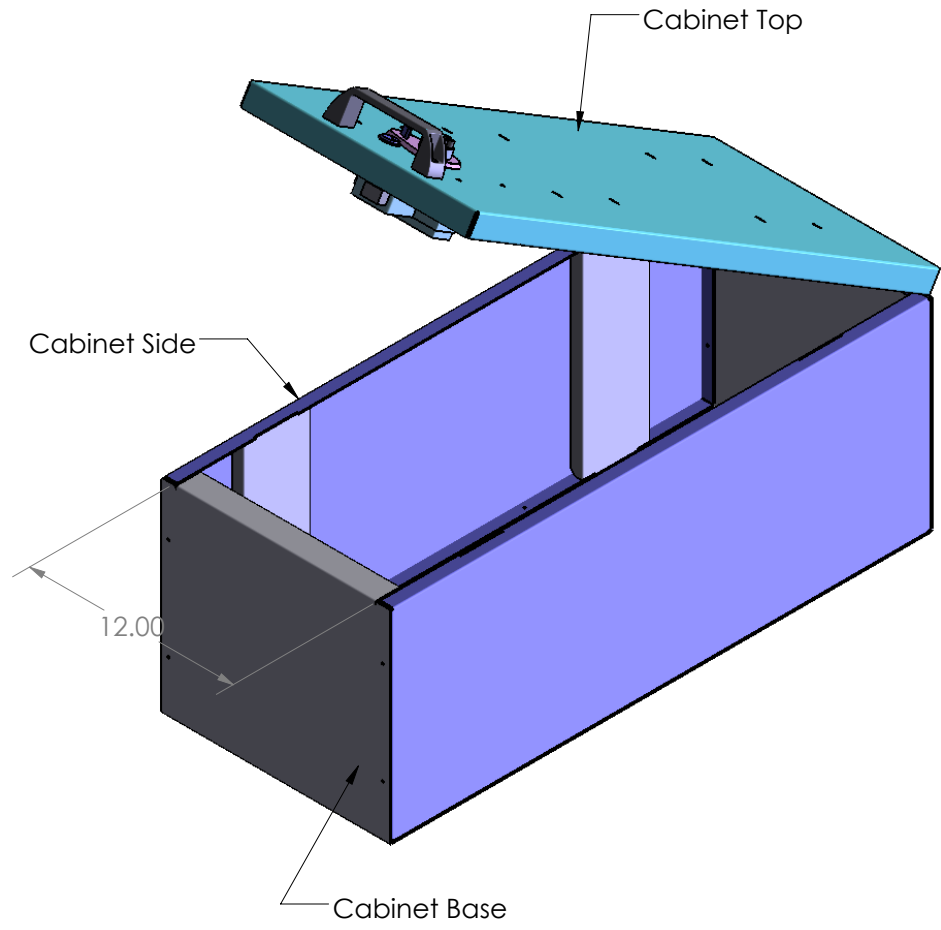


REV.	DESCRIPTION	BY	DATE	APPROVED



DRAWN	NAME AT	DATE 5JAN15	<b>ELECTRONICS CO., LTD.</b>		DANDR-ANSI-A REV2 APRIL 1, 2009	SIZE <b>A</b>
CHECKED	AD	5JAN15	File: 934-0740A Date: Tuesday, January 26, 2016 8:21:22 AM DESCRIPTION: <b>Custom Weapons Cabinet</b>			
THE INFORMATION CONTAINED WITHIN THIS DRAWING IS PROPRIETARY AND CONFIDENTIAL. AND IS THE SOLE PROPERTY OF DandR ELECTRONICS CO. LTD. IT MAY NOT BE REPRODUCED AT WHOLE OR IN PART WITHOUT THE WRITTEN PERMISSION OF DandR ELECTRONICS CO. LTD.			MFG. NO. <b>934-0740A</b>	CATALOG. NO. <b>XXX</b>		
FINISH Midnight Black Wrinkle			USED ON: <b>9XX-XXXX</b>	MATERIAL .090 AL		SHEET 1 OF 1 REV. <b>0</b>