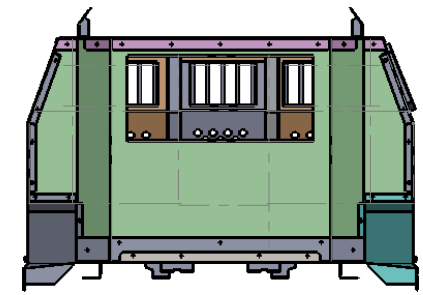
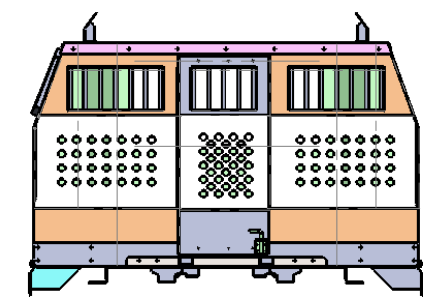
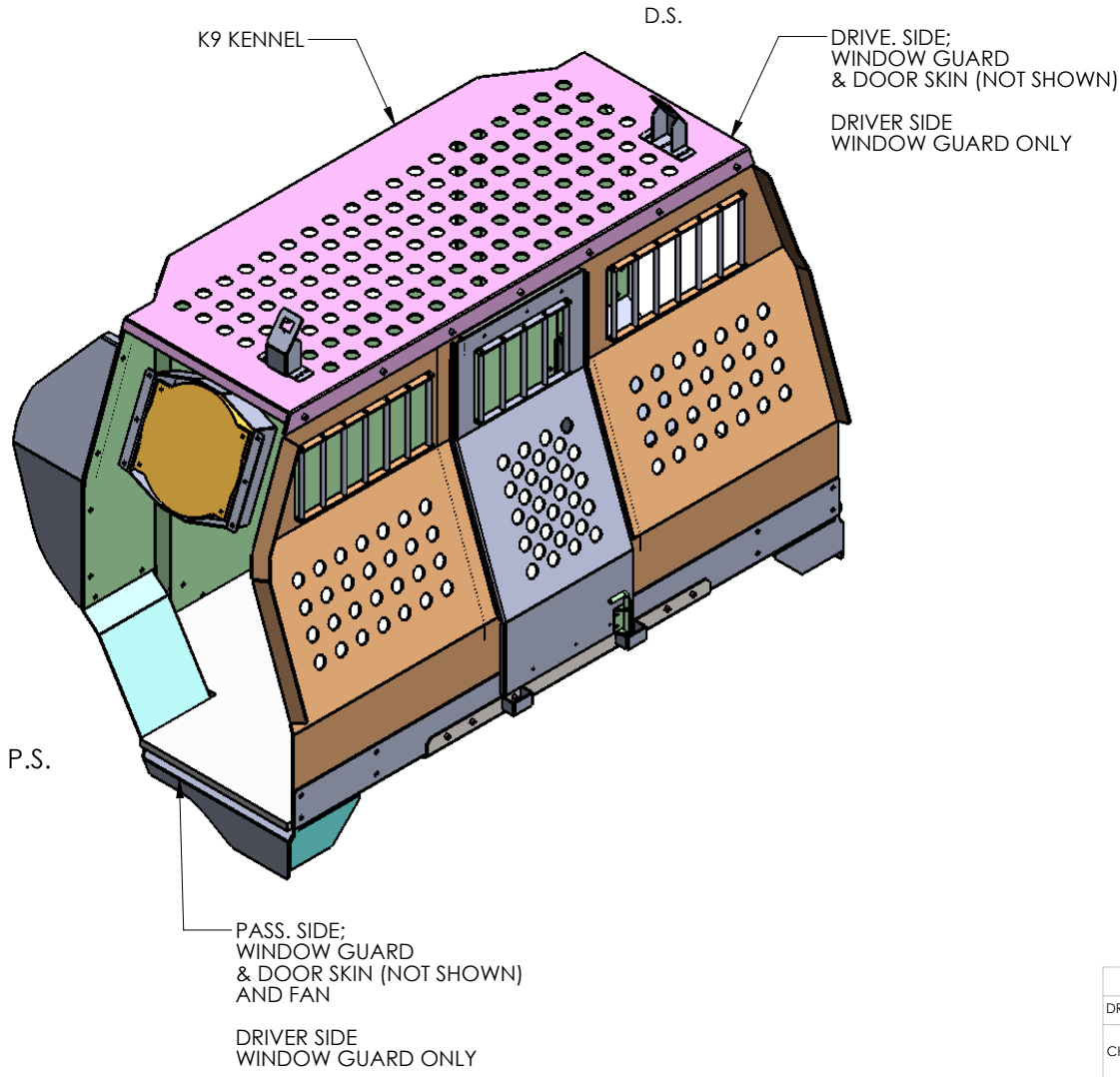


REV.	DESCRIPTION	BY	DATE	APPROVED



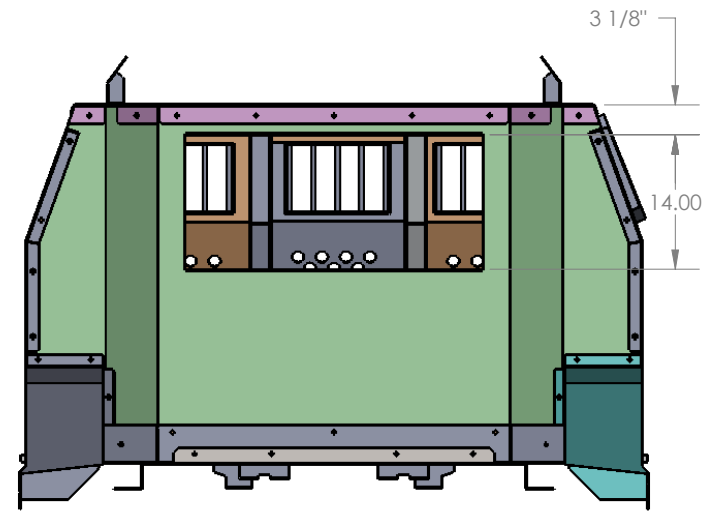
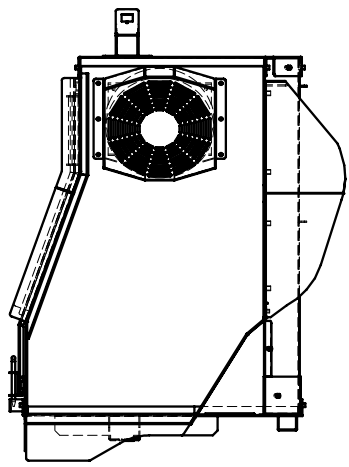
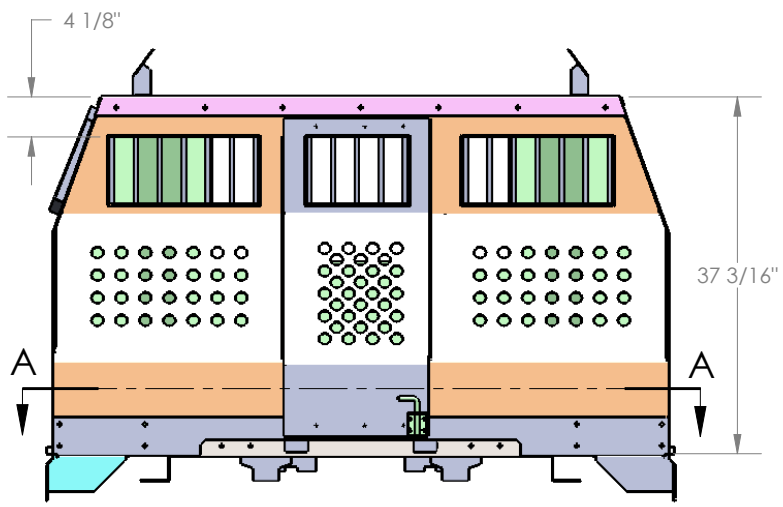
NOTE: 1 pair 14in Light Duty Slides

SEE Sheet 2 for Dimensions

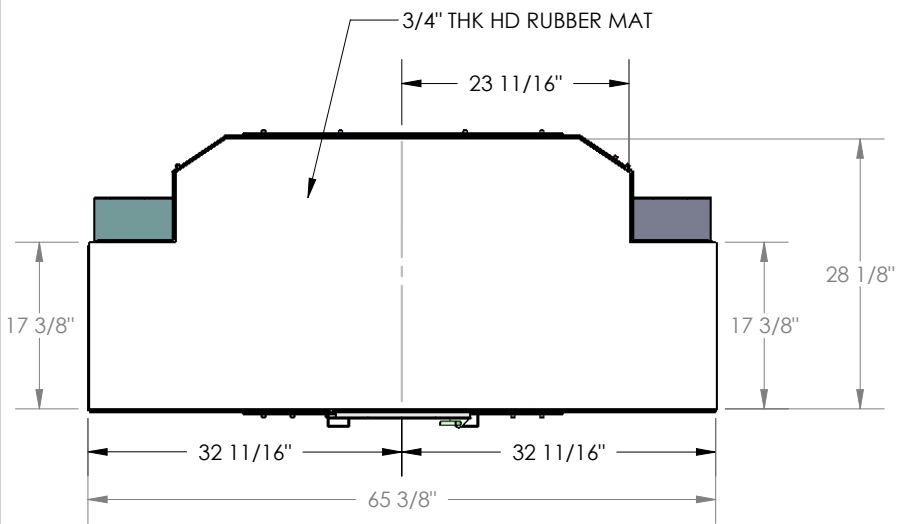
DRAWING APPROVED
NAME: _____
DATE: _____
SIGNATURE: _____

DRAWN	NAME VM	DATE 24/05/16	 ELECTRONICS CO.	DANDR-ANSI-A REV2 APRIL 1,2009	SIZE A
CHECKED	AD	24/05/16		<small>Path: File: Mfg. Data - Enforcement K9 Partner Transport Module Date: May-26-16 2:29:03 PM</small>	DESCRIPTION: Enforcement K9 Partner Transport Module
<small>THE INFORMATION CONTAINED WITHIN THIS DRAWING IS PROPRIETARY AND CONFIDENTIAL. AND IS THE SOLE PROPERTY OF DandR ELECTRONICS CO. LTD. IT MAY NOT BE REPRODUCED AT WHOLE OR IN PART WITHOUT THE WRITTEN PERMISSION OF DandR ELECTRONICS CO. LTD.</small>			MFG. NO. 934-0760A	CATALOG. NO. XXX	SHEET 1 OF 2
FINISH	MATERIAL Alum/ CRS		REV. 0		

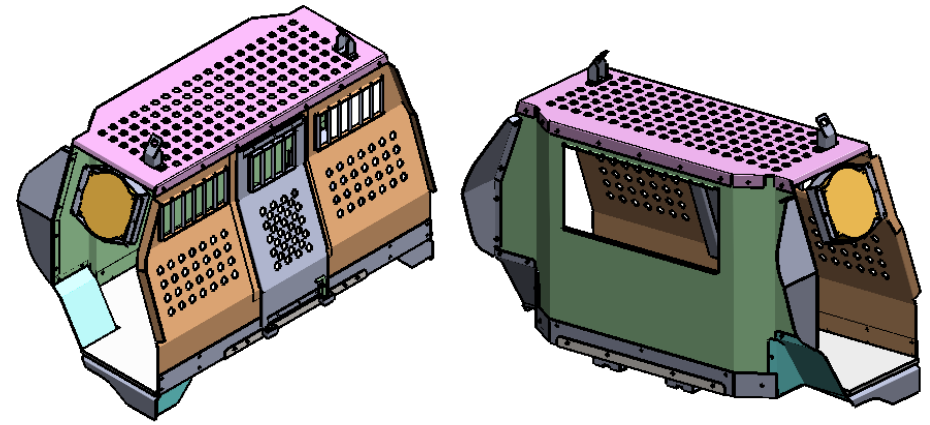
REV.	DESCRIPTION	BY	DATE	APPROVED



K9 Kennel Only



SECTION A-A
SCALE 1 : 20



NAME	DATE	 <small>Path: \\msb\p\dtd\24-Feb-16\934-0760A-K9-Enforce-transport Date: 24-Feb-16 2:29:03 PM</small>	DANDR-ANSI-A REV2 APRIL 1, 2009	SIZE A
DRAWN VM	24/05/16		DESCRIPTION: Enforcement K9 Partner Transport Module	MFG. NO. 934-0760A
CHECKED AD	24/05/16	THE INFORMATION CONTAINED WITHIN THIS DRAWING IS PROPRIETARY AND CONFIDENTIAL. AND IS THE SOLE PROPERTY OF DandR ELECTRONICS CO. LTD. IT MAY NOT BE REPRODUCED AT WHOLE OR IN PART WITHOUT THE WRITTEN PERMISSION OF DandR ELECTRONICS CO. LTD.	USED ON:	SHEET 2 OF 2
FINISH White Powder Coated	MATERIAL Alum/ CRS		REV. 0	