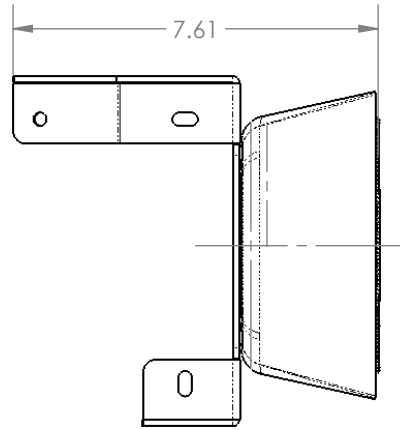
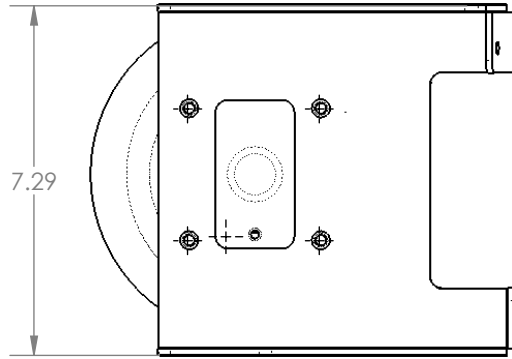
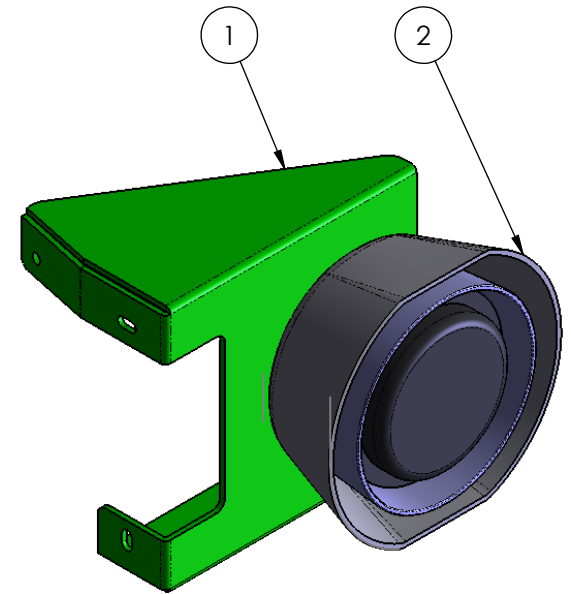
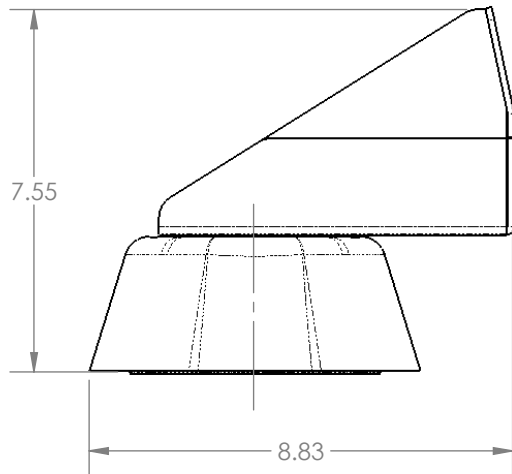


REV.	DESCRIPTION	NCR	DCR	BY	DATE	APPROVED
	Added hardware list	197			MS 7APR17	AD



ITEM NO.	DESCRIPTION	PartNo	QTY.
1	Dodge Promaster Speaker Holder	835-0037A	1
2	DRCS110 Speaker		1



HARDWARE LIST

	Description	Part Number	Quantity
1	1/4-20 x 3/4" Carriage Bolt S.S	411-0012	2
2	1/4-20 x 3/4" Hex Bolt S.S	411-0027	1
3	1/4-20 Flat Washer S.S	413-0018	3
4	1/4-20 Nyloc Nut S.S	432-0002	3

NAME	DATE	DANDR ELECTRONICS CO., LTD.		DANDR-ANSI-A	SIZE
DRAWN VM	08/15/16	DandR		REV2	A
CHECKED AD	08/15/16	Path: Y:\M\MECH_DATA\935 Speaker Brackets\Dodge Promaster DRCS110 Speaker			
		File: 935-0085A			
		Date: April-07-17 9:47:53 AM			
		DESCRIPTION:			
		Dodge Promaster Speaker Holder Assembly			
		MFG. NO.	935-0085A		CATALOG. NO.
		USED ON:	-		SHEET 1 OF 1
FINISH	Black Semi Gloss	MATERIAL	SEE TABLE		REV. 0

THE INFORMATION CONTAINED WITHIN THIS DRAWING IS PROPRIETARY AND CONFIDENTIAL AND IS THE SOLE PROPERTY OF DANDR ELECTRONICS CO., LTD. IT MAY NOT BE REPRODUCED AT WHOLE OR IN PART WITHOUT THE WRITTEN PERMISSION OF DANDR ELECTRONICS CO., LTD.