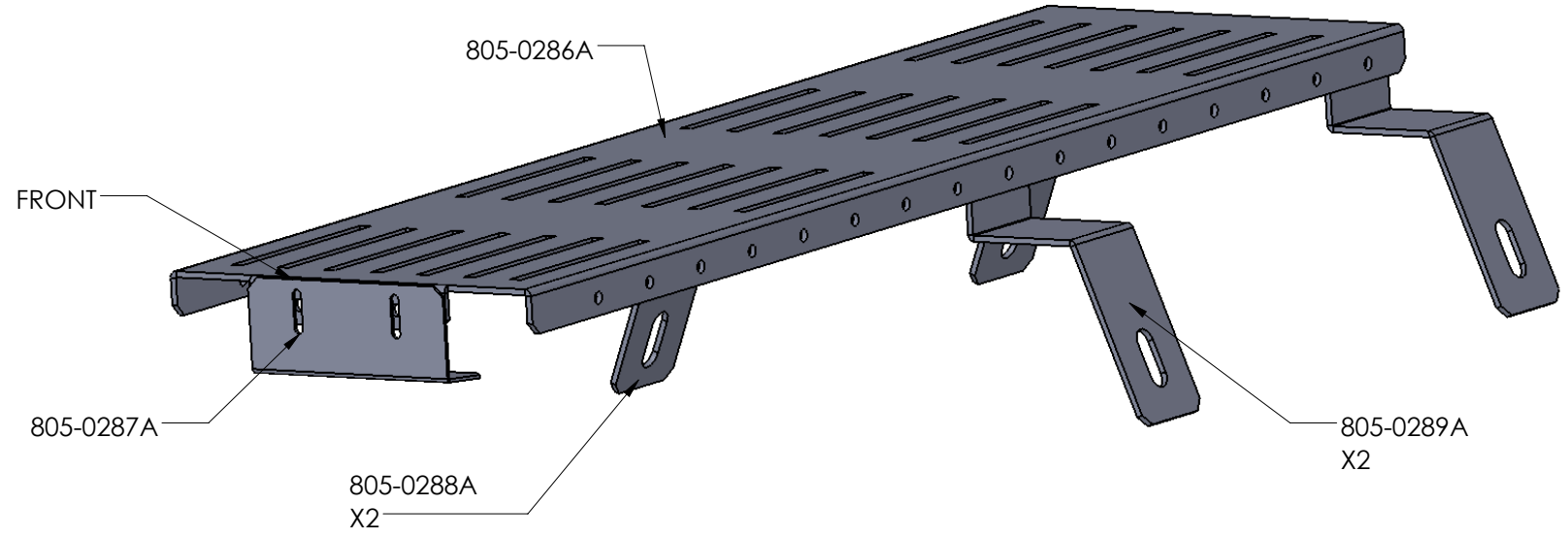
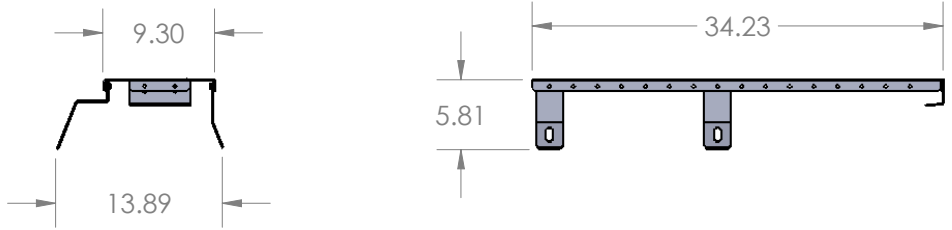


REV.	DESCRIPTION	DCR	BY	DATE	APPROVED



HARDWARE

	Description	Part Number	Quantity
1	1/4-20 x 1/2" Round Head Bolt	411-0109	4
2	1/4-20 Flat Washer	403-0005A	4
3	1/4-20 Lock Washer	403-0004	4
4	10-32 x 1/2" Round Head Bolt	401-0053	2
5	#10 Lock Washer	403-0010	2
6	#10 Flat Washer	403-0007A	2
7	M10 x 1.25	401-0226	4

DRAWN	NAME MS	DATE 26MAR18	 DANDR-ANSI-A REV2 APRIL 1, 2009	SIZE A
CHECKED	AD	26MAR18		Path: Y:\M\MECH_DATA\905 Floor Mounts\905-0145A - 2018 Silverado Floor Plate.rvt File: 905-0145A Date: March-26-18 3:58:12 PM
THE INFORMATION CONTAINED WITHIN THIS DRAWING IS PROPRIETARY AND CONFIDENTIAL. AND IS THE SOLE PROPERTY OF DandR ELECTRONICS CO. LTD. IT MAY NOT BE REPRODUCED AT WHOLE OR IN PART WITHOUT THE WRITTEN PERMISSION OF DandR ELECTRONICS CO. LTD.			DESCRIPTION: <h3 style="text-align: center;">2018 Silverado Floor Plate</h3>	
FINISH MIDNIGHT BLACK WRINKLE			MFG. NO. 905-0145A	CATALOG. NO. XXX
			USED ON: 9XX-XXXX	SHEET 1 OF 1
			MATERIAL XXga CRS	REV. 0