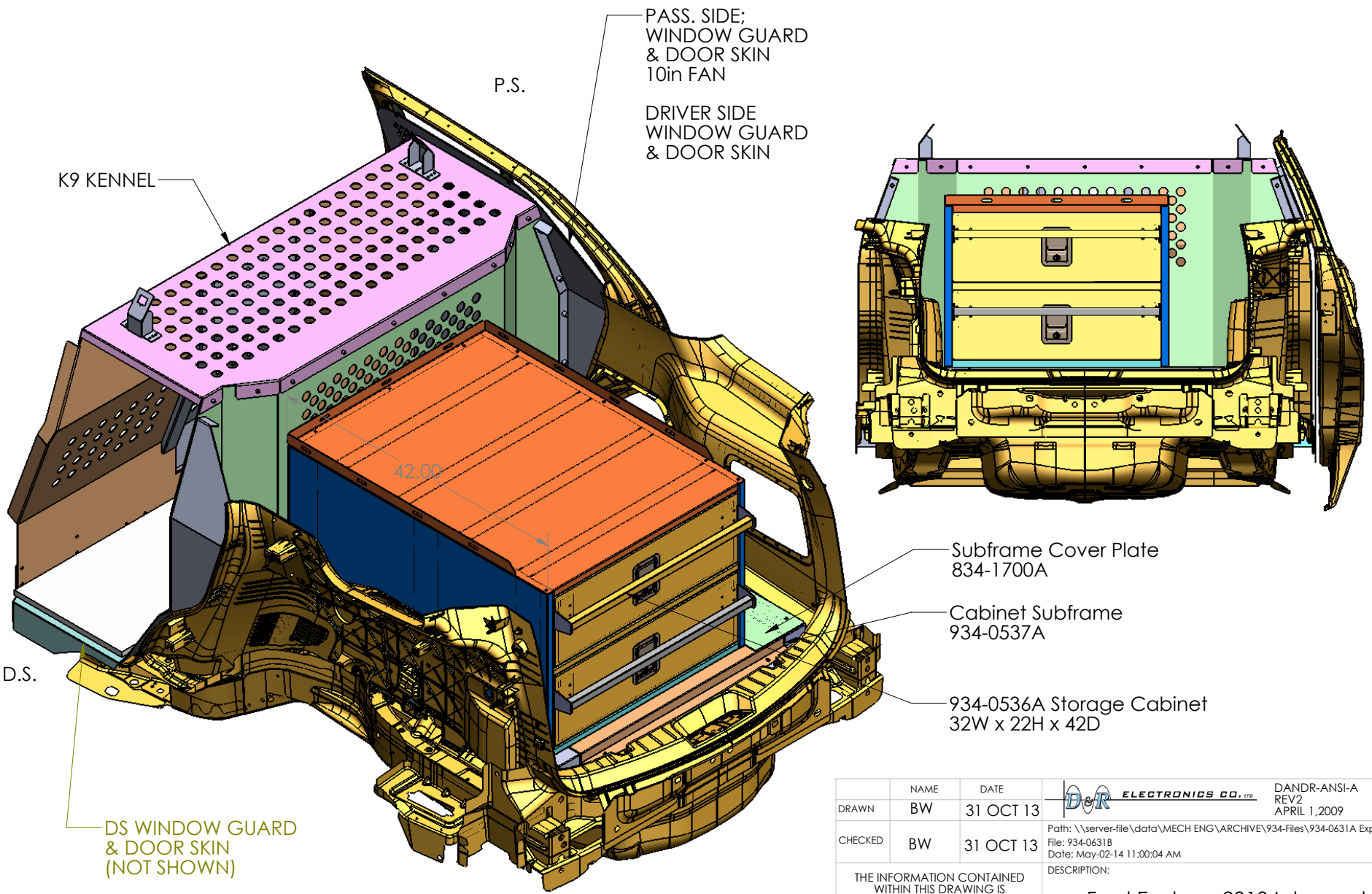
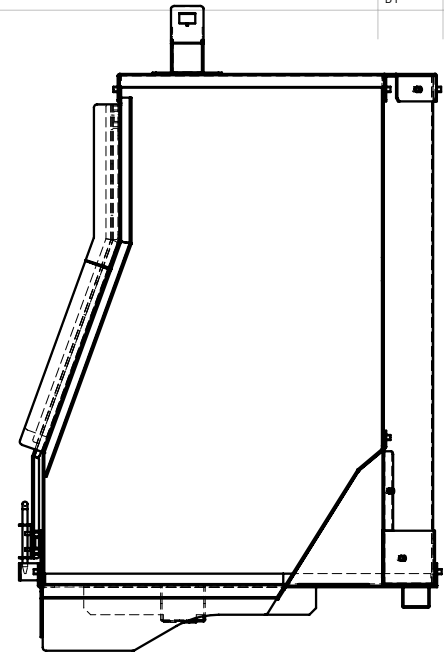
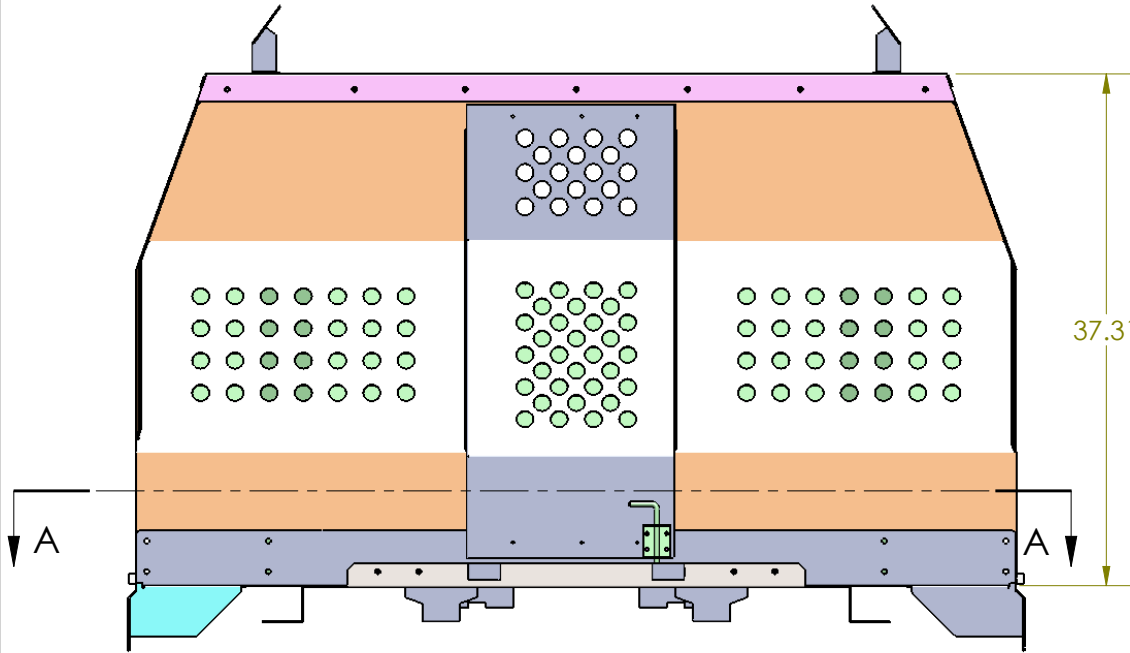


REV.	DESCRIPTION	BY	DATE	APPROVED

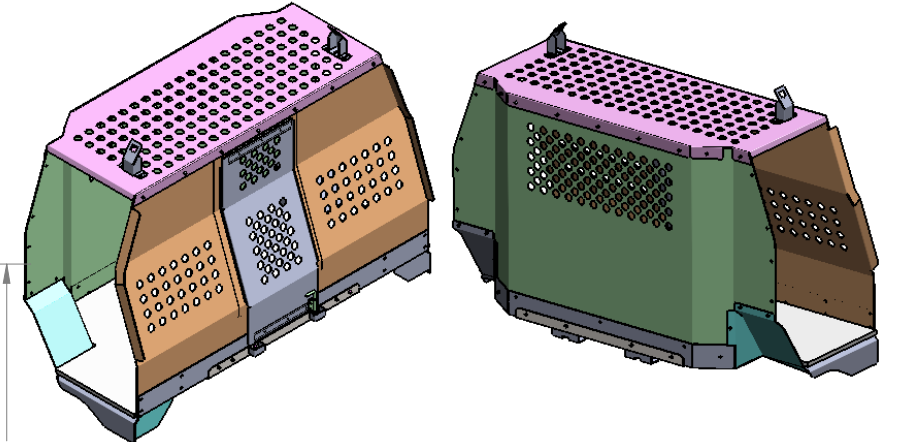
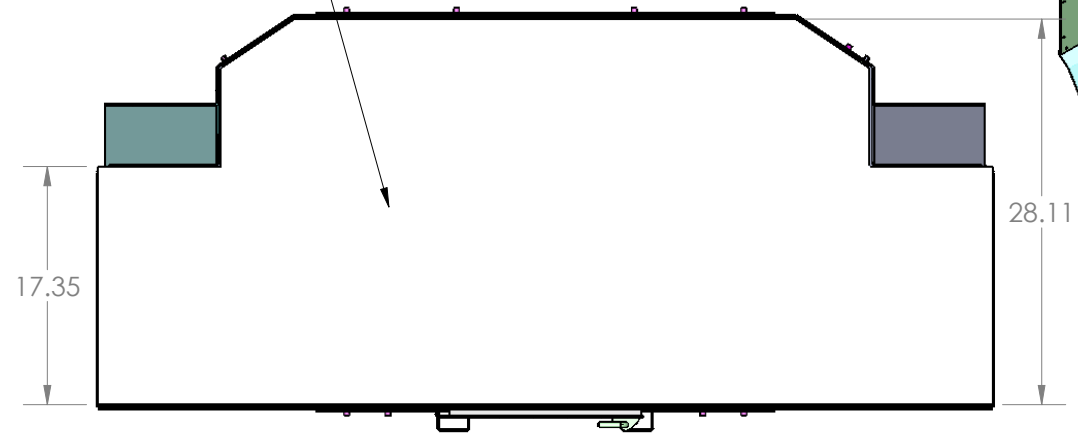


DRAWN	NAME BW	DATE 31 OCT 13	ELECTRONICS CO., LTD.	DANDR-ANSI-A REV2 APRIL 1, 2009	SIZE A
CHECKED	BW	31 OCT 13	Path: \\server-file\data\MECH ENG\ARCHIVE\934-Files\934-0631A Explorer2013 K9 Kennel\ File: 934-0631B Date: May-02-14 11:00:04 AM		
THE INFORMATION CONTAINED WITHIN THIS DRAWING IS PROPRIETARY AND CONFIDENTIAL. AND IS THE SOLE PROPERTY OF DandR ELECTRONICS CO. LTD. IT MAY NOT BE REPRODUCED AT WHOLE OR IN PART WITHOUT THE WRITTEN PERMISSION OF DandR ELECTRONICS CO. LTD.			DESCRIPTION: Ford Explorer 2013 Interceptor Custom K9 Kennel with Storage Sys		
FINISH			MFG. NO. 934-0631B	CATALOG. NO. XXX	SHEET 1 OF 1
MATERIAL Alum/ CRS			USED ON:	REV. 0	

REV.	DESCRIPTION	BY	DATE	APPROVED

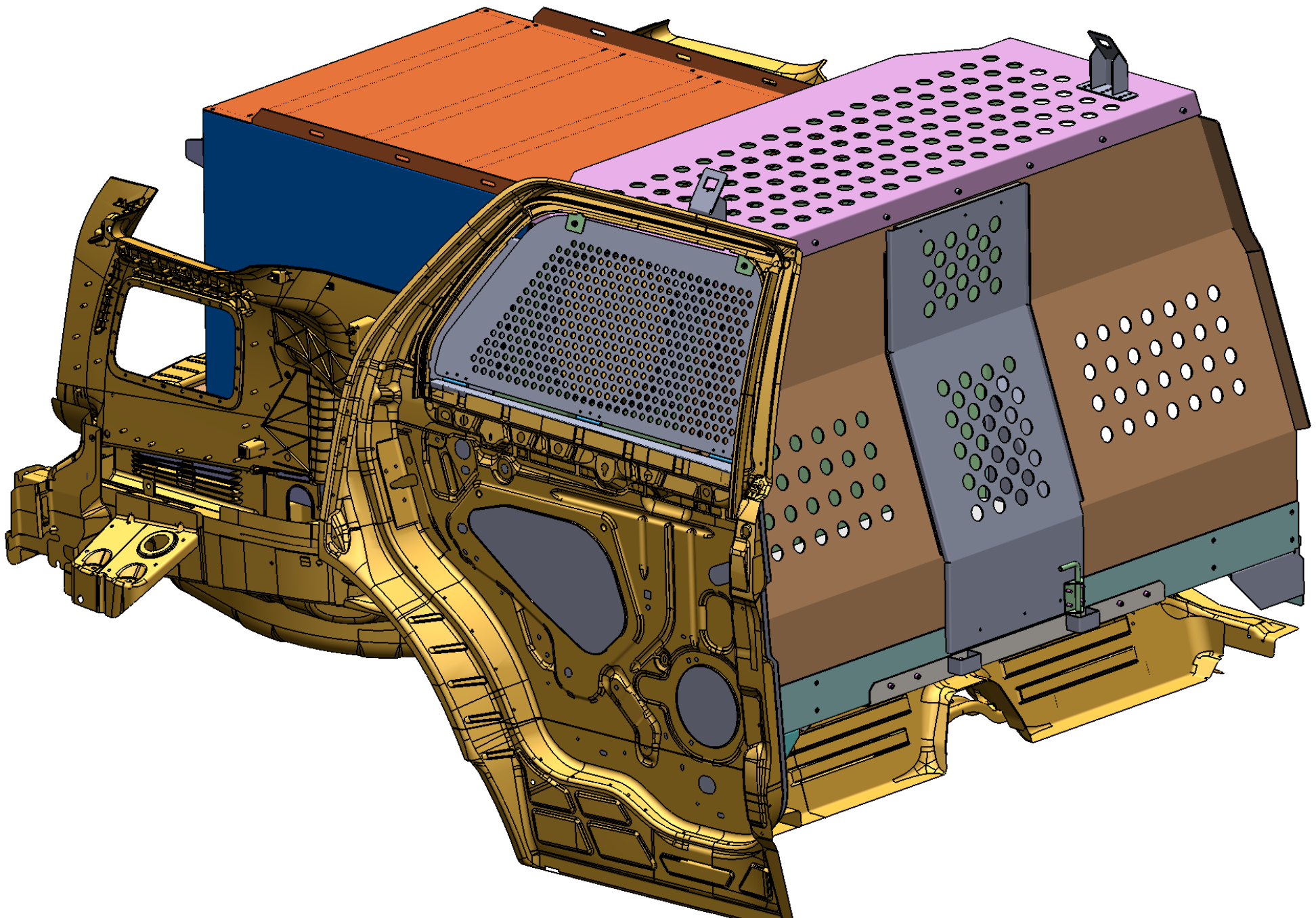


3/4" THK RUBBER MAT

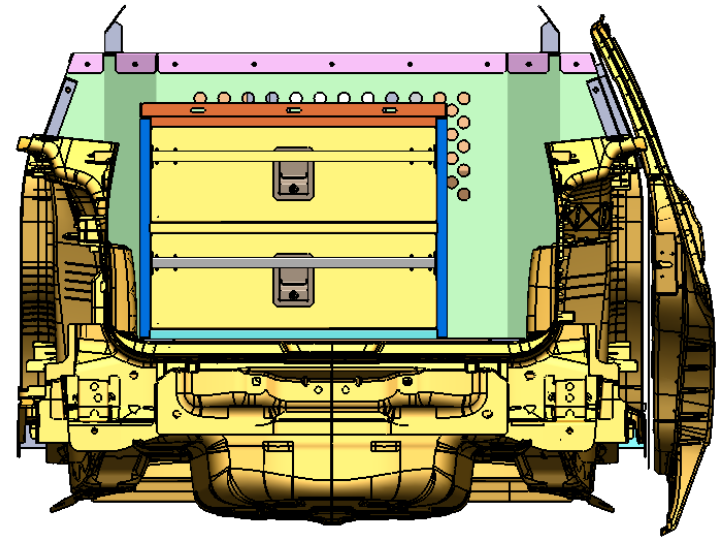
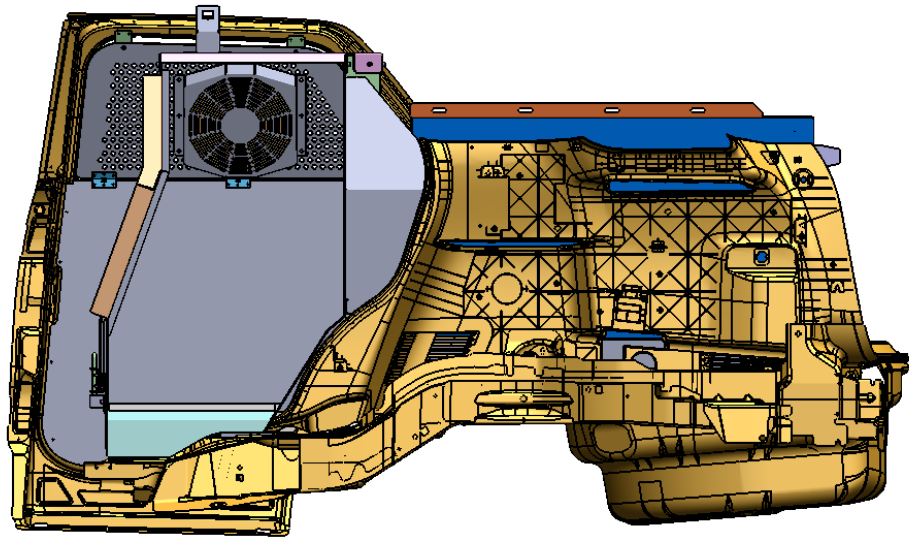
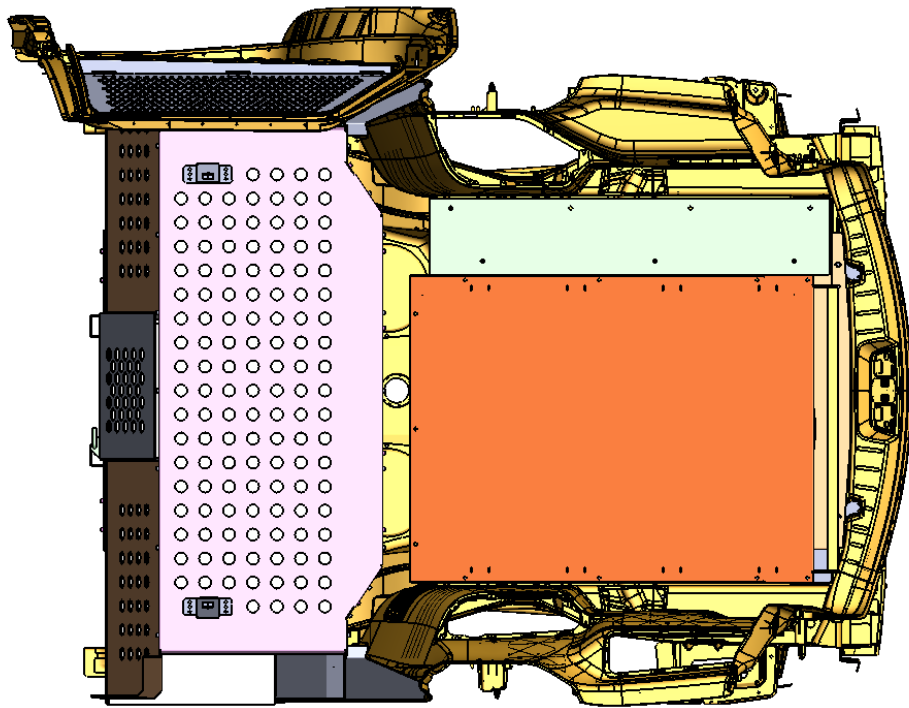


SECTION A-A
SCALE 1 : 14

NAME	DATE	ELECTRONICS CO., LTD. DANDR-ANSI-A REV2 APRIL 1, 2009	SIZE
DRAWN	BW 31 OCT 13		A
CHECKED	AD 31 OCT 13	Path: \\server-file\data\MECH ENG\ARCHIVE\934-Files\934-0631A Explorer2013 K9 Kennel\ File: 934-0631B Date: May-02-14 11:00:04 AM	
THE INFORMATION CONTAINED WITHIN THIS DRAWING IS PROPRIETARY AND CONFIDENTIAL. AND IS THE SOLE PROPERTY OF DANDR ELECTRONICS CO. LTD. IT MAY NOT BE REPRODUCED AT WHOLE OR IN PART WITHOUT THE WRITTEN PERMISSION OF DANDR ELECTRONICS CO. LTD.		DESCRIPTION:	
		Ford Explorer 2013 Interceptor Custom K9 Kennel	
		MFG. NO. 934-0631B	CATALOG. NO. XXX
		USED ON:	SHEET 1 OF 1
FINISH	MATERIAL Alum/ CRS		REV. 0



Window guard & door skin removed



Window guard & door skin removed