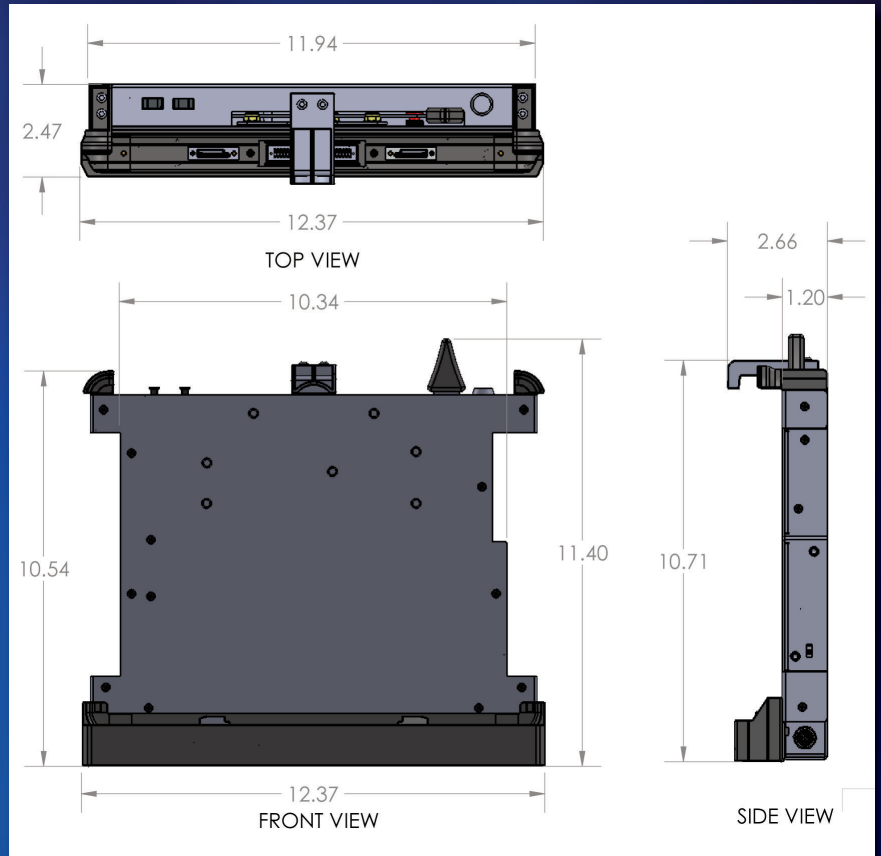


CF33 DOCKING STATION MOUNT

SHOWN IN FORD UTILITY INTERCEPTOR
ON DASH DOCK



Panasonic Toughbook 33 tablet Ultra-thin rugged lightweight docking solution.
Design to ensure safety in accidents and during airbag deployment, in addition to daily use and operation of docking station.

Connectivity:

- USB: fully-powered USB 2.0 (4),
- USB 3.0 (2),
- Ethernet: RJ45 Ethernet (2),
- Serial: DB9 (9-Pin) connection (1),
- Video: HDMI (1), VGA (1),
- Input power: 15.6 v dc,
- Antenna: dual pass-through (TNC connectors)(optional)

Spring loaded lock and key supplied for peace of mind theft deterrence

Weight: 3.0 lbs

Certifications (pending):

Panasonic Toughbook Certified, Vibration Testing: MIL-STD 810G 514.5, crash test: SAE J1455 30mph Crash

Testing, cycle test: latch handle & docking connectors' mechanism 30,000 cycles, Pull test 20kg, environmental testing: Hot/Cold MIL STD 810G, 501.5, 502.5, 503.5

