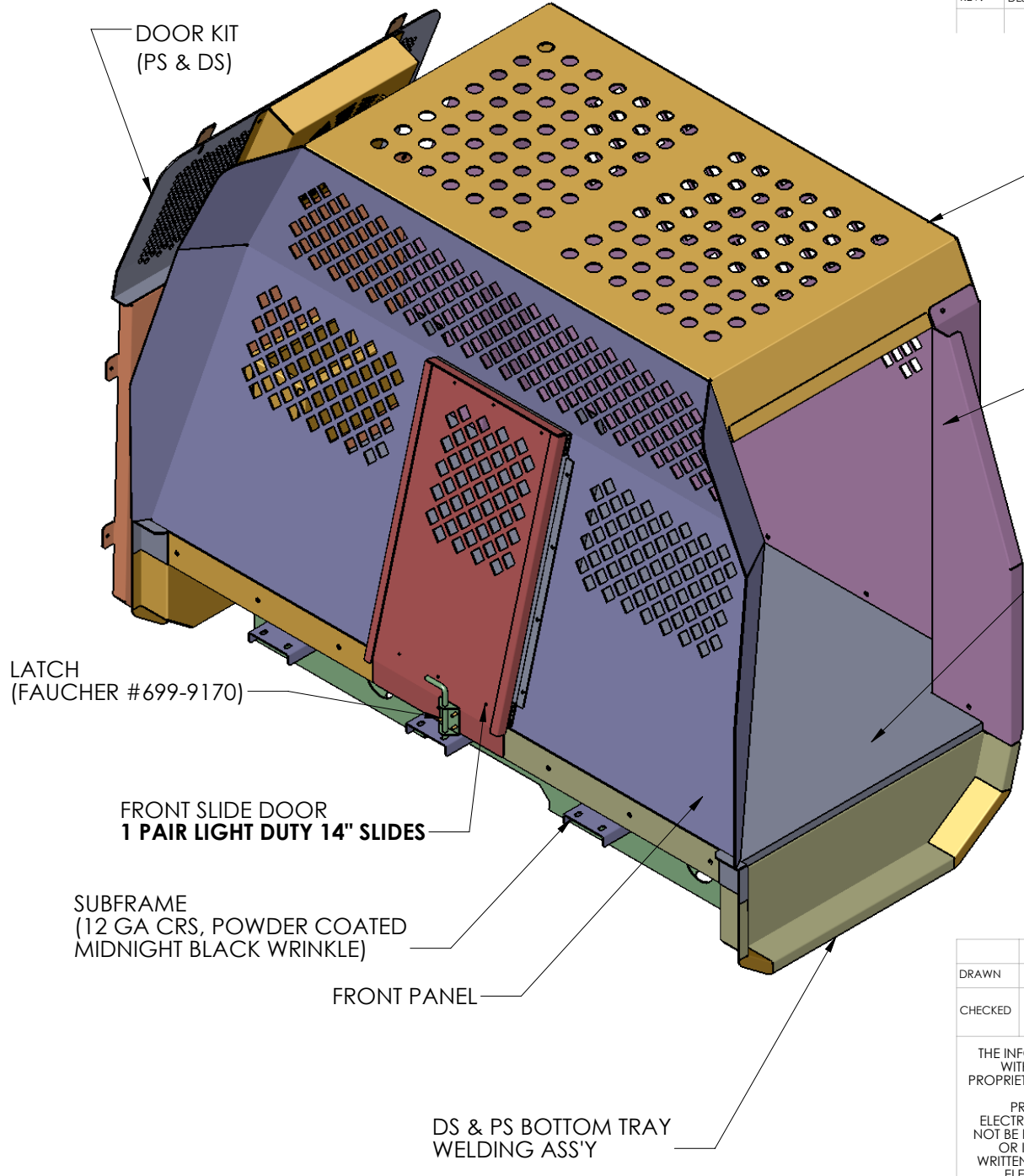


REV.	DESCRIPTION	BY	DATE	APPROVED



TOP COVER

REAR PANEL

3/4" RUBBER FLOOR MAT  
(61" x 32 1/8" SHAPED)

NOTE:  
THE PACKAGE SHOULD INCLUDE DOOR KIT:  
1. DS&PS DOOR COVERS WITH WATER BOWLS.  
2. DS&PS WINDOW GUARDS  
3. FAN COVERS FOR DS&PS.

LATCH  
(FAUCHER #699-9170)

FRONT SLIDE DOOR  
1 PAIR LIGHT DUTY 14" SLIDES

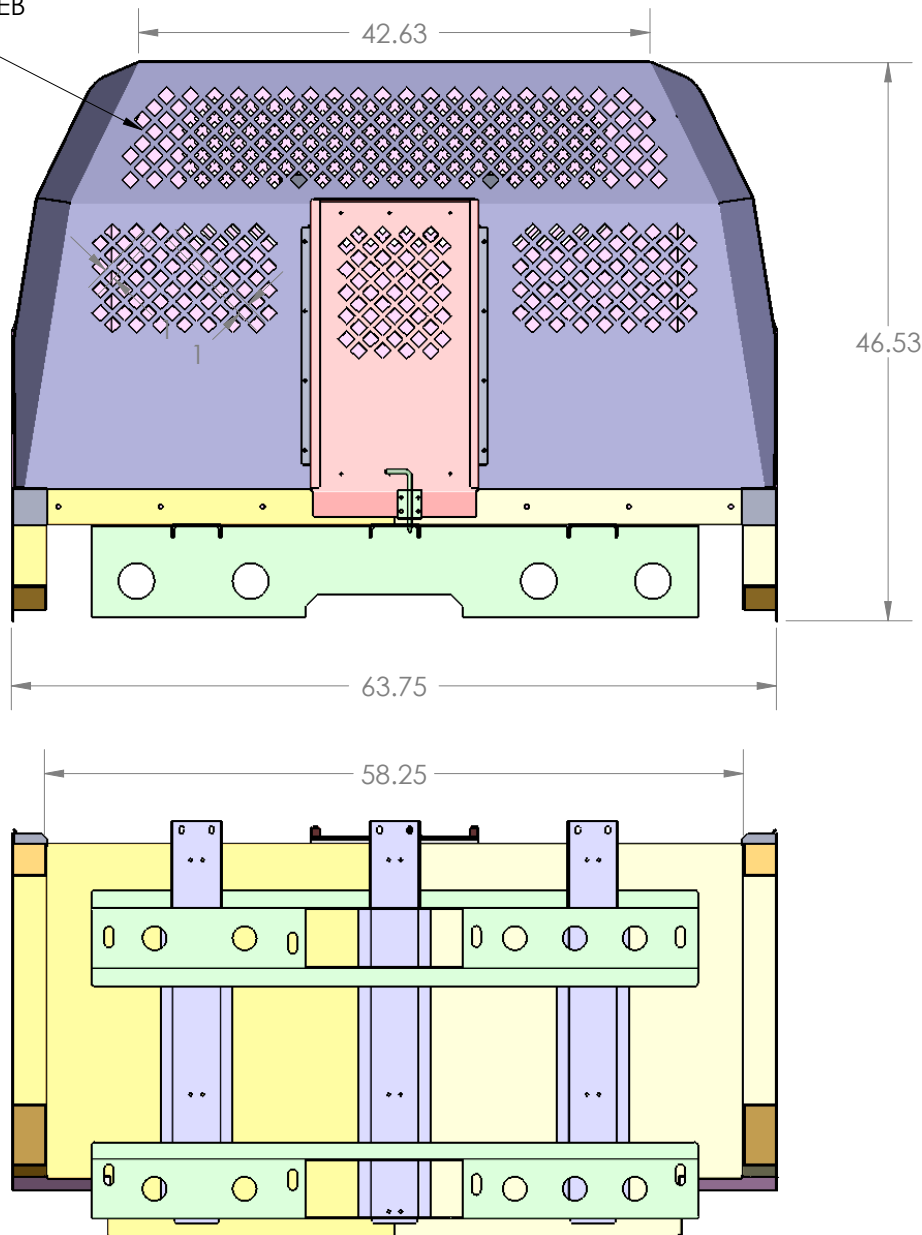
SUBFRAME  
(12 GA CRS, POWDER COATED  
MIDNIGHT BLACK WRINKLE)

FRONT PANEL

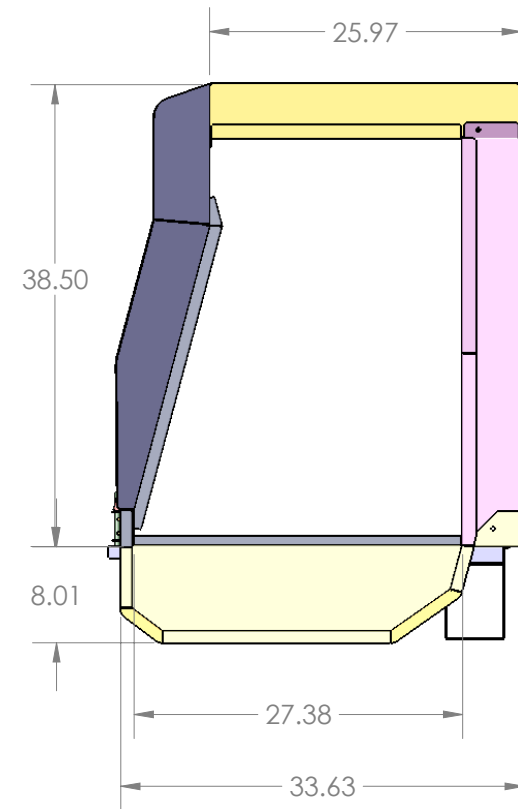
DS & PS BOTTOM TRAY  
WELDING ASS'Y

	NAME	DATE	 DANDR-ANSI-A REV2 APRIL 1, 2009	SIZE
DRAWN	YC	23MAR16		A
CHECKED	AD	23MAR16	Path: \\server-file\data\M\MECH_DESIGN\934-0746A.k9 Kennel RCMP 2015 Suburban File: 934-0746A Date: Tuesday, April 12, 2016 12:58:20 PM	
THE INFORMATION CONTAINED WITHIN THIS DRAWING IS PROPRIETARY AND CONFIDENTIAL. AND IS THE SOLE PROPERTY OF DandR ELECTRONICS CO. LTD. IT MAY NOT BE REPRODUCED AT WHOLE OR IN PART WITHOUT THE WRITTEN PERMISSION OF DandR ELECTRONICS CO. LTD.			<b>DESCRIPTION:</b> <b>Suburban 2015 K9 Kennel For Single Dog</b>	
FINISH			MFG. NO.	CATALOG. NO.
BMW			934-0746A	XXX
			USED ON:	SHEET 1 OF 3
			MATERIAL	REV.
			0.125" ALUM / 12 GA CRS	0

1"X1" SQ  
WITH 0.4" WEB  
TYP.



REV.	DESCRIPTION	BY	DATE	APPROVED



NAME	DATE	ELECTRONICS CO., LTD.		DANDR-ANSI-A	SIZE
DRAWN YC	23MAR16	DandR		REV2	A
CHECKED		Path: \\server-file\data\M\MECH_DESIGN\934-0746A k9 Kennel RCMP 2015 Suburban File: 934-0746A Date: Tuesday, April 12, 2016 12:58:20 PM			
THE INFORMATION CONTAINED WITHIN THIS DRAWING IS PROPRIETARY AND CONFIDENTIAL. AND IS THE SOLE PROPERTY OF DandR ELECTRONICS CO. LTD. IT MAY NOT BE REPRODUCED AT WHOLE OR IN PART WITHOUT THE WRITTEN PERMISSION OF DandR ELECTRONICS CO. LTD.		<b>DESCRIPTION:</b> <b>Suburban 2015 K9 Kennel            For Single Dog</b>			
MFG. NO.		CATALOG. NO.		XXX	
934-0746A		XXX		SHEET 2 OF 3	
USED ON:		MATERIAL		REV.	
		0.125" ALUM / 12 GA CRS		0	