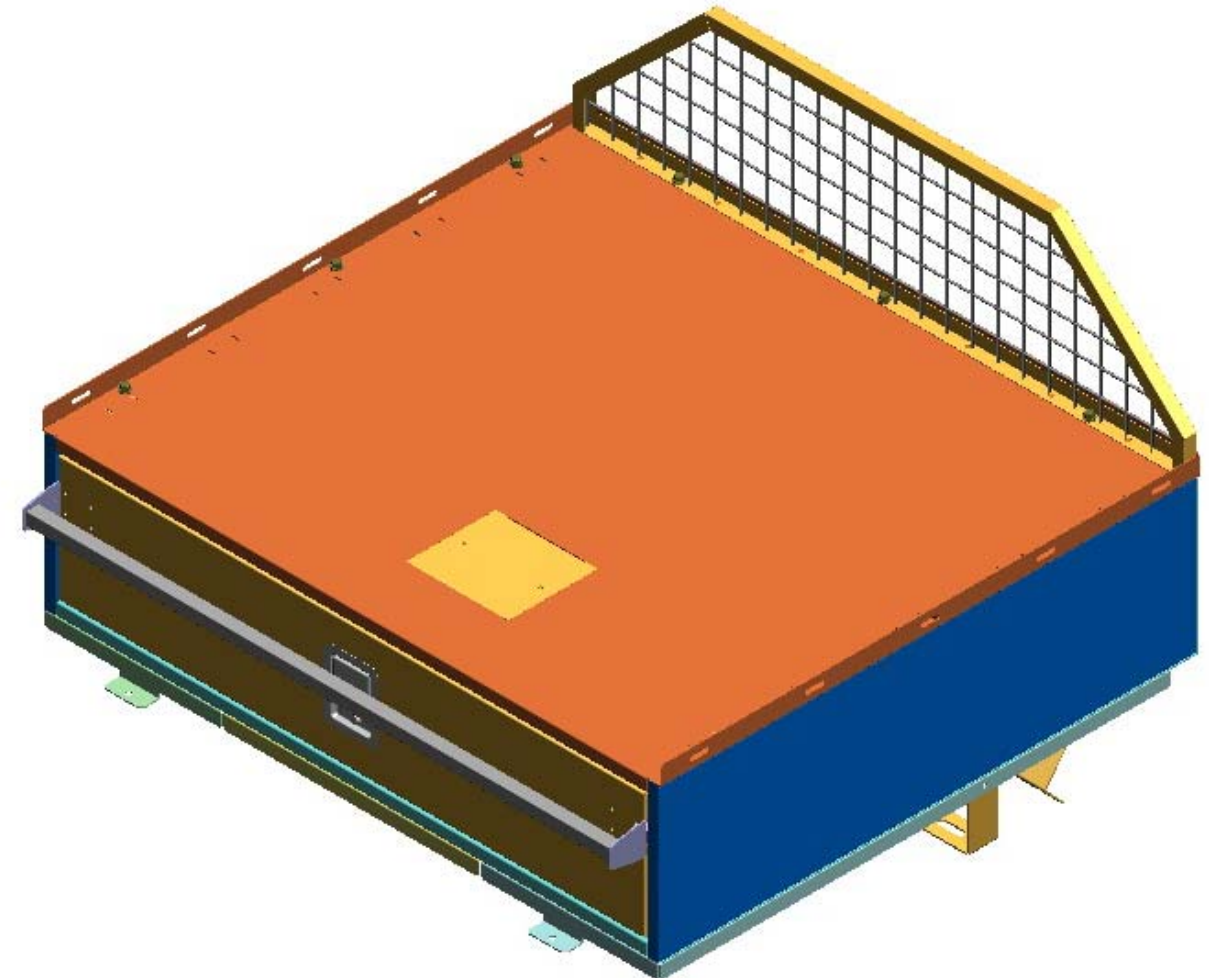


Generic Truck Storage

INSTALLATION MANUAL



CONTENTS

Unpacking	—	2
Installation	—	2
Warranty	—	7
Return Policy	—	7

UNPACKING

Before beginning any installation, unpack the equipment received. After unpacking, examine **ALL** components received for any damage that may have occurred while in transit. If any damage has occurred, file a claim **IMMEDIATELY** with the courier stating the extent of damage. Check **ALL** envelopes, packing slips, shipping labels and tags

before removing or destroying them.

To ensure your satisfaction, open all cartons and report any shortages **within 48 hours of receipt.**

HARDWARE PARTS LIST

Quantity	Description
4-8	3/8 x 1" Hex Bolt
4-8	3/8, Lock Washer
4-8	3/8, WASHER

VEHICLE PREPARATION

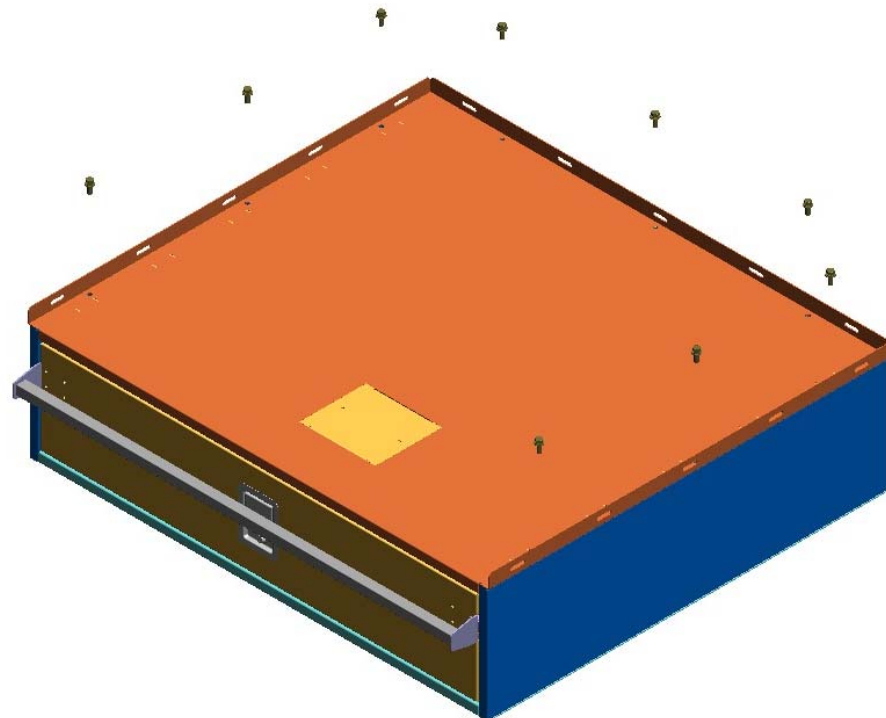
Install the Vehicle Specific Sub frame in the vehicle. Refer to the Sub frame Installation instructions for installing the Sub frame.

INSTALLATION OF STORAGE UNIT

Step 1

Remove Cabinet Top

Remove all the Bolts located on the top of the cabinet and carefully lift the cabinet top and place aside.



WARRANTY

D & R Electronics warrants its new products to be free from defects in material and workmanship, under normal use and service for a period of one year on parts replacement and one year on labor.

This warranty applies only to original purchasers acquiring the product directly from D&R Electronics, or its authorized dealers. Warranty will not be recognized without proof of purchase or bill of sale.

This warranty is not transferable.

The warranty begins on the date of delivery to the first user/purchaser.

This warranty shall not apply to products which must be repaired due to normal wear and tear, negligence, improper installation, abuse, misuse, or which have been altered or modified at a facility other than D & R Electronics, or its authorized depot centers.

Units proved to be defective within the warranty period, based on an examination by D&R Electronics, will be replaced or repaired at D & R Electronics' option. This warranty does not cover travel expenses or labor charges for removal or installation.

Lamps, flash tubes, batteries or other items considered consumables are not covered under warranty.

This warranty is in lieu of all other express warranties. D&R Electronics makes no warranties, expressed or implied, other than the express warranties contained herein.

PRODUCT RETURN POLICY

In order to provide you with faster service, product returns for repair or replacement, must have a **Return Goods Authorization Number (RGA number)**. Please contact our company to obtain a RGA number before you return the product to D & R ELECTRONICS. Write the RGA number clearly on the package. Be sure you use sufficient packing materials to avoid damage to the product being returned while in transit.

D & R ELECTRONICS assumes no responsibility or liability for expenses incurred for the removal and/or the installation of products requiring service and/or repair.

Repairing or replacing product is at the discretion of D & R ELECTRONICS.

D&R ELECTRONICS Co. LTD.

CANADA

8820 George Bolton Pkwy.
Bolton, Ontario L7E 2Y4

Tel.: (905)951-9997
Fax: (905)951-0019

www.dandrelectronics.com

USA

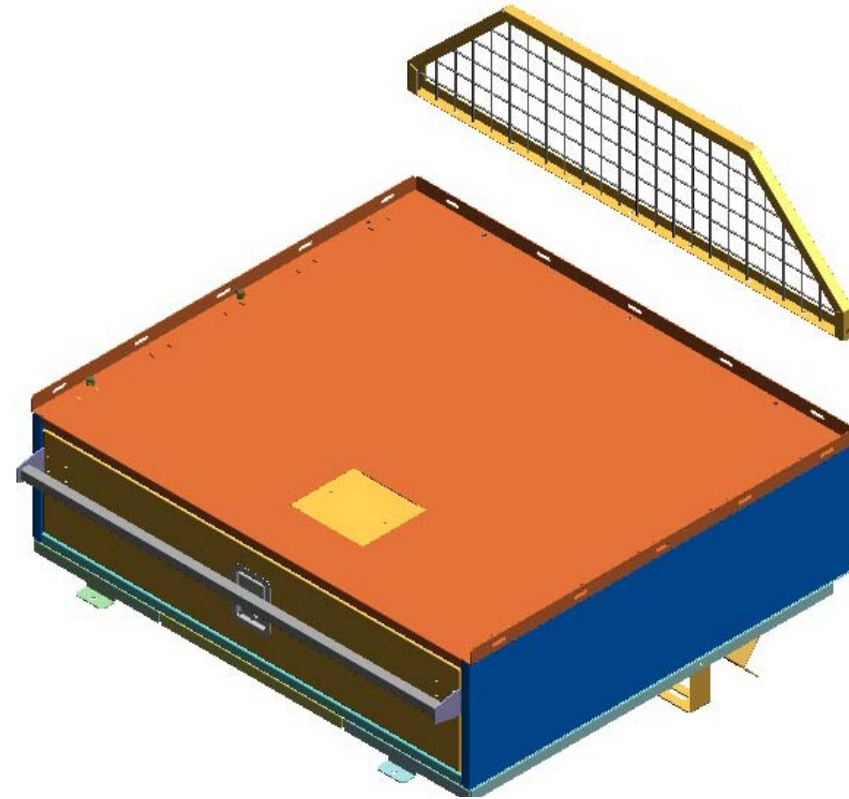
40 Sonwil Drive
Cheektowaga, NY, 14225

Toll Free 1-800-538-7338

Step 8 (OPTIONAL)

Insert Partition

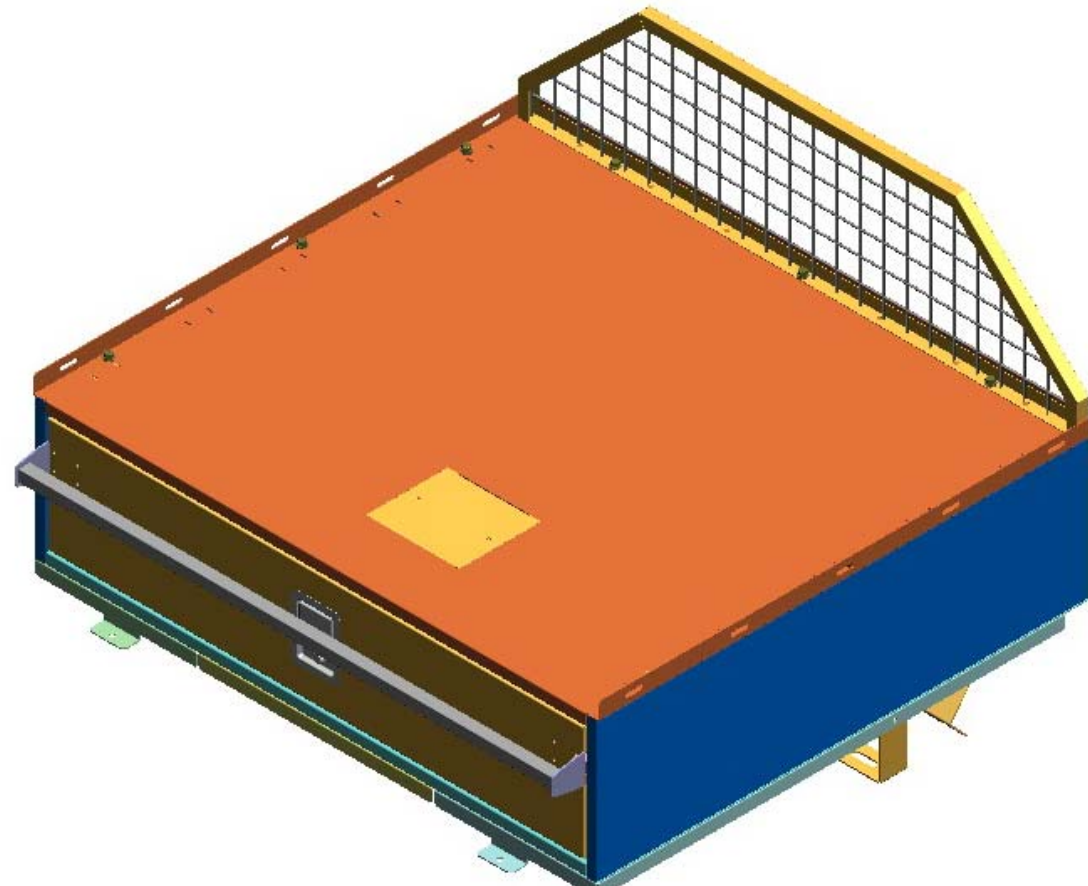
Insert Cabinet and Vehicle Specific Cargo partition.



Step 9

Secure Partition

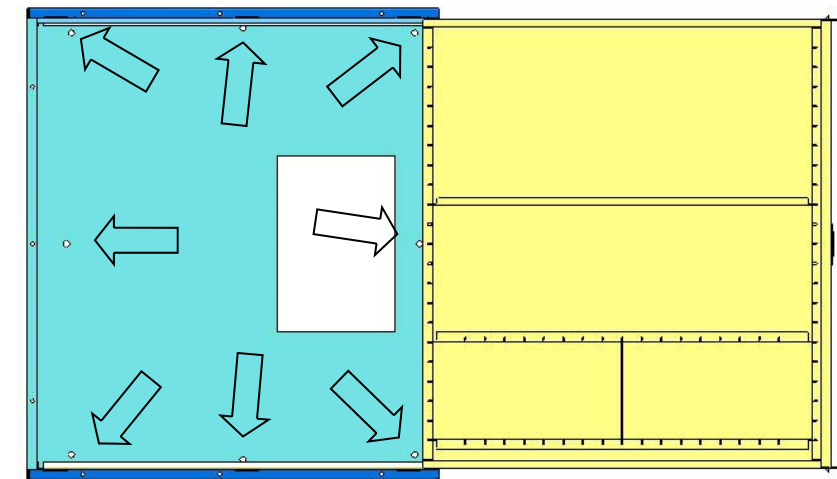
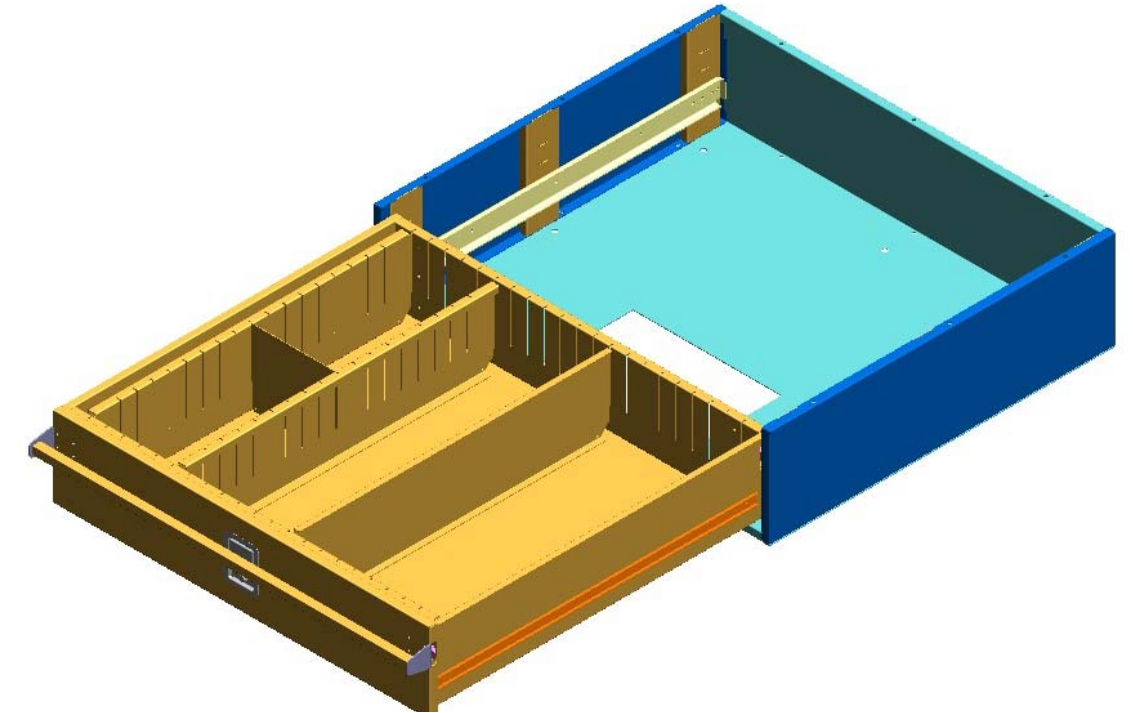
Secure Partition and Cabinet Top using remaining hardware obtained in step one. Some partitions may require additional straps and/or hardware.



Step 2

Check Mounting location points

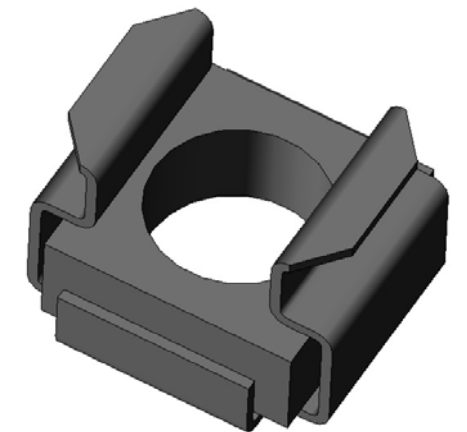
Carefully open the drawer. Measure and evaluate the mounting locations of the cabinet. Number of mounting holes may vary based on the size of the unit.



Step 3

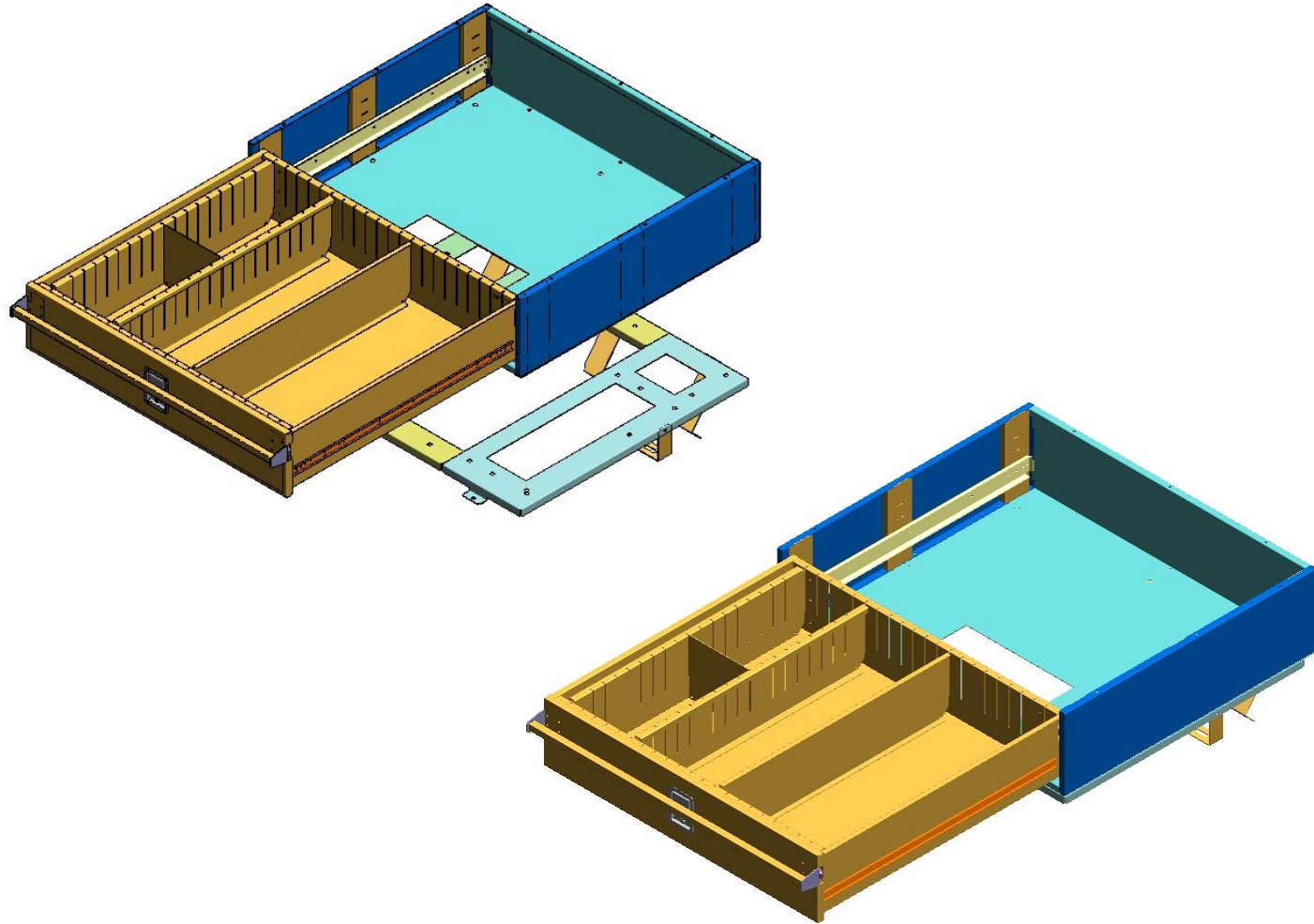
Place Retainer Nuts on Sub frame

Place Retainer Nuts on Sub frame based on the mounting locations found in Step 2..

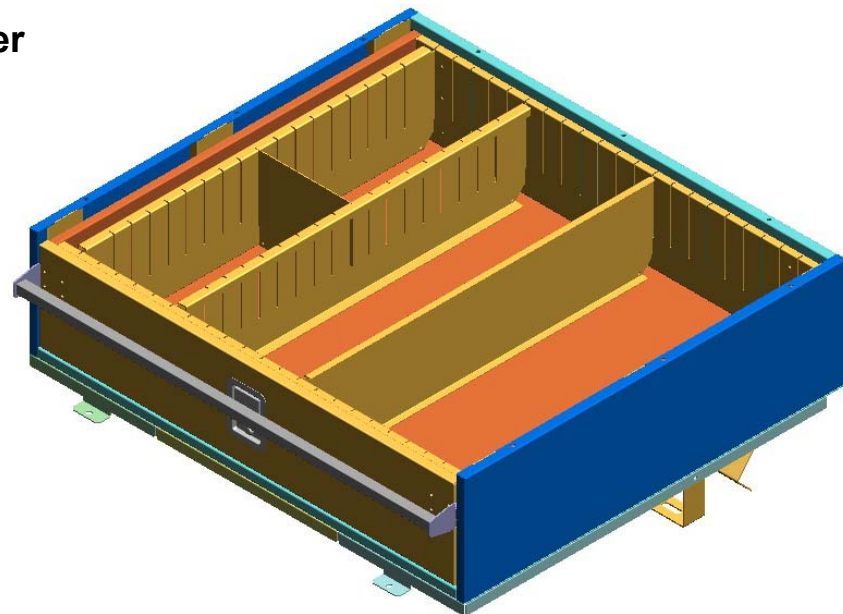


Step 4
Place Cabinet on Subframe

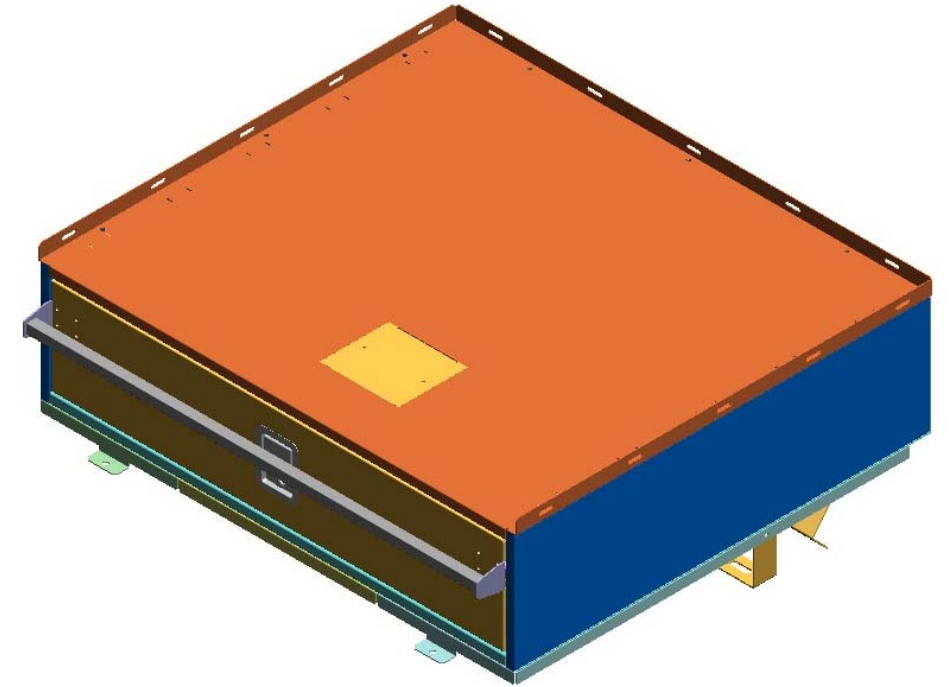
Carefully place Cabinet on Sub frame and Secure using 3/8 X 1" Hex Bolts, 3/8" Lock Washers and 3/8" Washers on locations found in Step 2.



Step 5
Close the Drawer



Step 6
Replace the Cabinet Top



Step 7
Replace front four bolts and washers removed in Step 1.

