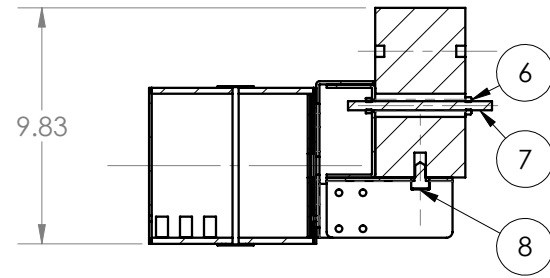
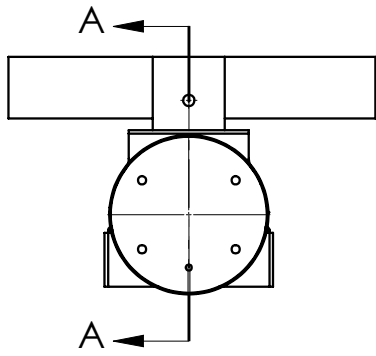
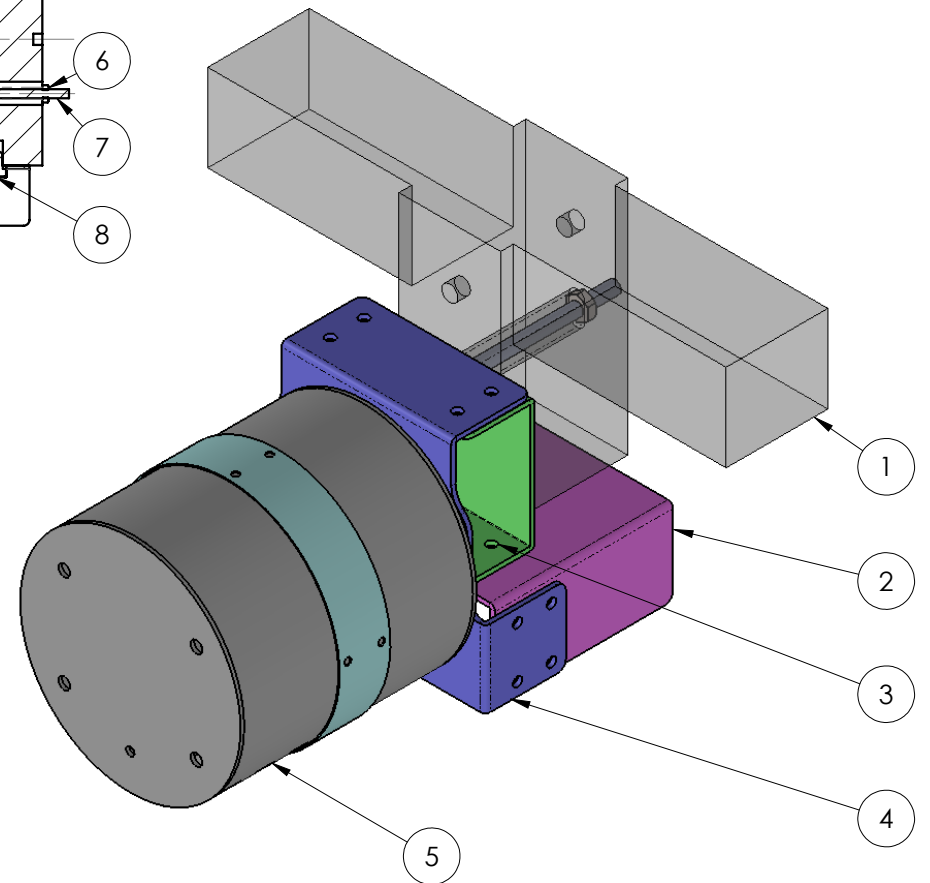
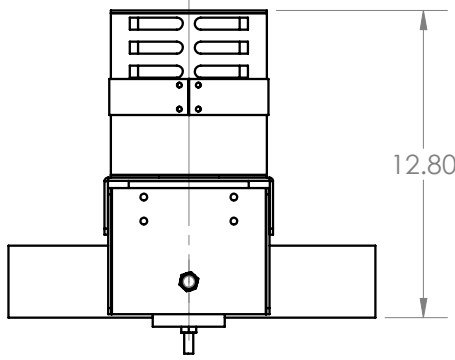


REV.	DESCRIPTION	BY	DATE	APPROVED



SECTION A-A
SCALE 1 : 8



ITEM NO.	PART NUMBER	DESCRIPTION	QTY.
1	Dodge Ram1500 Chassis	n/a	1
2	835-0034A	Dodge 1500 Thunder Speaker Middle Holder	1
3	835-0036A	Dodge 1500 Thunder Speaker Upper Holder	1
4	835-0035A	Dodge 1500 Thunder Speaker Lower Holder	1
5	935-0080A	Thunder Speaker Assembly	1
6	MSHXNUT 0.375-16-S-N		2
7	3-8 Threaded Rod x 6in length		1
8	B18.6.7M - M12 x 1.75 x 30 Indented HHMS --30N		1

NAME	DATE	DESCRIPTION	SIZE
VM	03/03/17	Dodge 1500 Thunder Speaker Assembly	A
AD	03/03/17		
THE INFORMATION CONTAINED WITHIN THIS DRAWING IS PROPRIETARY AND CONFIDENTIAL. AND IS THE SOLE PROPERTY OF DandR ELECTRONICS CO., LTD. IT MAY NOT BE REPRODUCED AT WHOLE OR IN PART WITHOUT THE WRITTEN PERMISSION OF DandR ELECTRONICS CO., LTD.		Dodge 1500 Thunder Speaker Assembly MFG. NO. 935-0084A USED ON: - MATERIAL SEE TABLE	DANDR-ANSI-A REV2 APRIL 1,2009 Path: Y:\M\MECH_DATA\910 Light and Siren Systems\Thunder\ File: 935-0084A Date: Thursday, March 16, 2017 4:22:29 PM DESCRIPTION: SHEET 1 OF 1 REV. 0