

UPPER STORAGE DRAWER
C/W DIVIDERS (934-0568A)

CARGO PARTITION
(938-0084A)

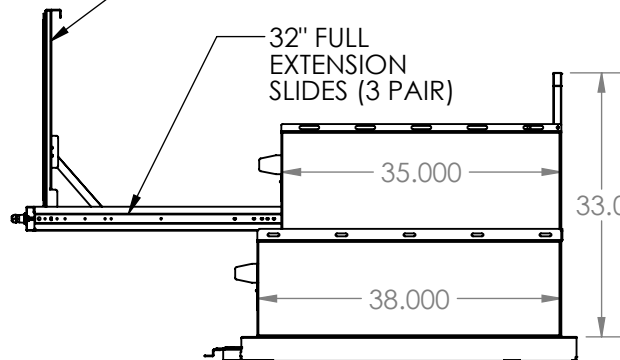
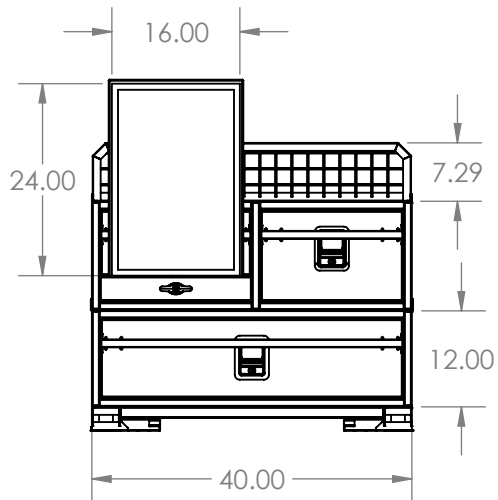
WHITEBOARD
SHOWN
IN OPERATIONAL
POSITION

STORAGE DRAWER
(40W x 38D x 12H)
(934-0599A)

WHITEBOARD
SHOWN AT 90 DEGREES.

32" FULL
EXTENSION
SLIDES (3 PAIR)

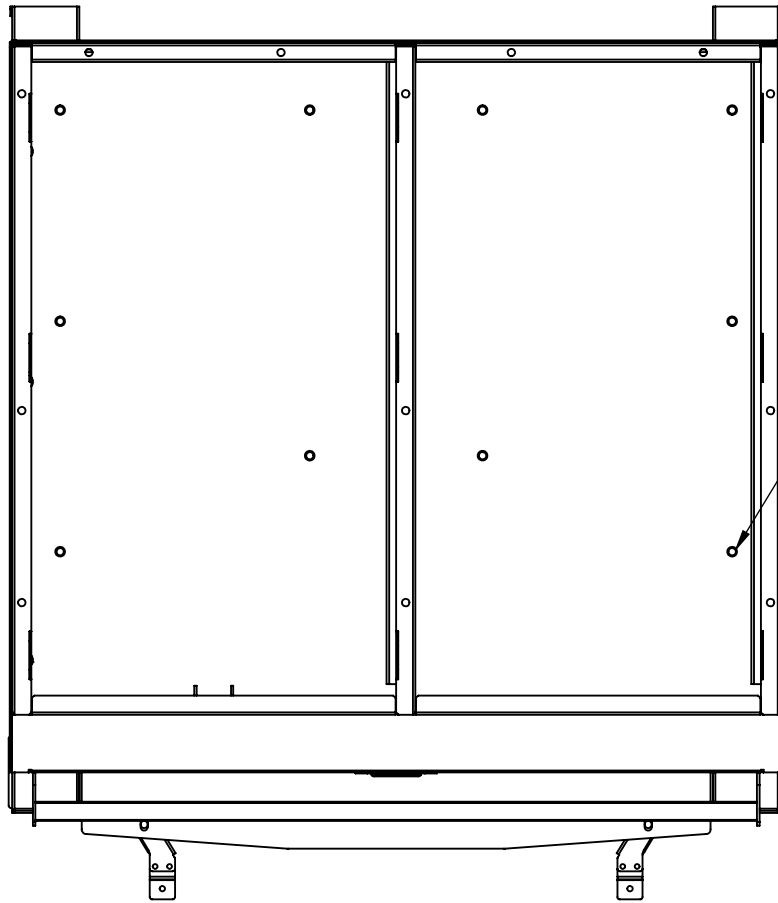
2013 FORD INTERCEPTOR UTILITY
FULL SIZE SUB-FRAME (933-0099A)



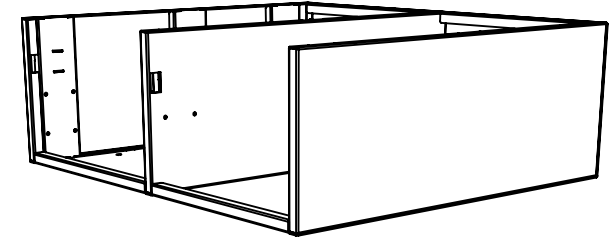
REV.	DESCRIPTION	BY	DATE	APPROVED

DRAWN	NAME BW	DATE 23OCT12	 DANDR-ANSI-A REV2 APRIL 1, 2009	SIZE A
CHECKED				Path: \\server-file\data\MECH ENG\ARCHIVE\934-Files\934-0525A\ File: 934-0525A Date: Friday, February 01, 2013 2:58:47 PM
THE INFORMATION CONTAINED WITHIN THIS DRAWING IS PROPRIETARY AND CONFIDENTIAL. AND IS THE SOLE PROPERTY OF DandR ELECTRONICS CO. LTD. IT MAY NOT BE REPRODUCED AT WHOLE OR IN PART WITHOUT THE WRITTEN PERMISSION OF DandR ELECTRONICS CO. LTD.			DESCRIPTION: Storage System Dual Drawer with White Board for 2013 FORD INTERCEPTOR UTILITY	
FINISH MIDNIGHT BLACK WRINKLE			MFG. NO. 934-0525A	CATALOG. NO.
			USED ON:	SHEET 1 OF 1
			MATERIAL FORMED SHEET ALUMINUM	REV. 0

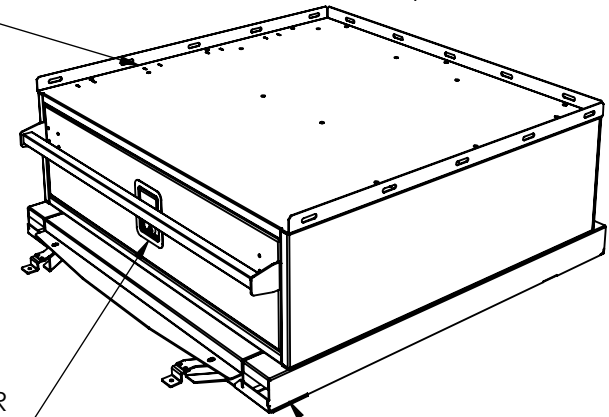
REV.	DESCRIPTION	BY	DATE	APPROVED



Add 3/8-16 Retainer Nut to Lower Cabinet Top
(6 Places)



Add 3/8-16 Retainer Nut to Lower Cabinet Top
(6 Places)



STORAGE DRAWER
(40W x 38D x 12H)
934-0599A

2013 FORD INTERCEPTOR UTILITY
SUB-FRAME (**933-0099A**)

	NAME	DATE	 ELECTRONICS CO.	DANDR-ANSI-A REV2 APRIL 1, 2009	SIZE A
DRAWN	JVYAS	24APR12		Path: \\server-file\data\MECH ENG\ARCHIVE\934-Files\934-0525A\ File: 934-0525A Date: Friday, February 01, 2013 2:58:47 PM	
CHECKED				DESCRIPTION:	
THE INFORMATION CONTAINED WITHIN THIS DRAWING IS PROPRIETARY AND CONFIDENTIAL. AND IS THE SOLE PROPERTY OF DandR ELECTRONICS CO. LTD. IT MAY NOT BE REPRODUCED AT WHOLE OR IN PART WITHOUT THE WRITTEN PERMISSION OF DandR ELECTRONICS CO. LTD.			Storage System Dual Drawer with White Board for 2013 FORD INTERCEPTOR UTILITY		
FINISH MIDNIGHT BLACK WRINKLE			MATERIAL FORMED SHEET ALUMINUM	MFG. NO. 934-0525A	CATALOG. NO.
USED ON:				SHEET 1 OF 1	
				REV.	0