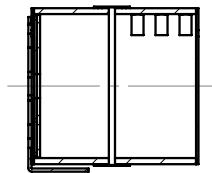
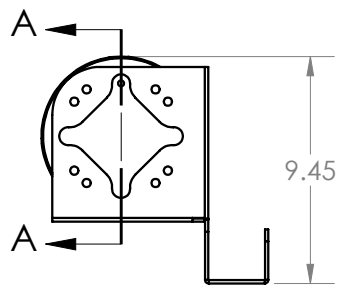
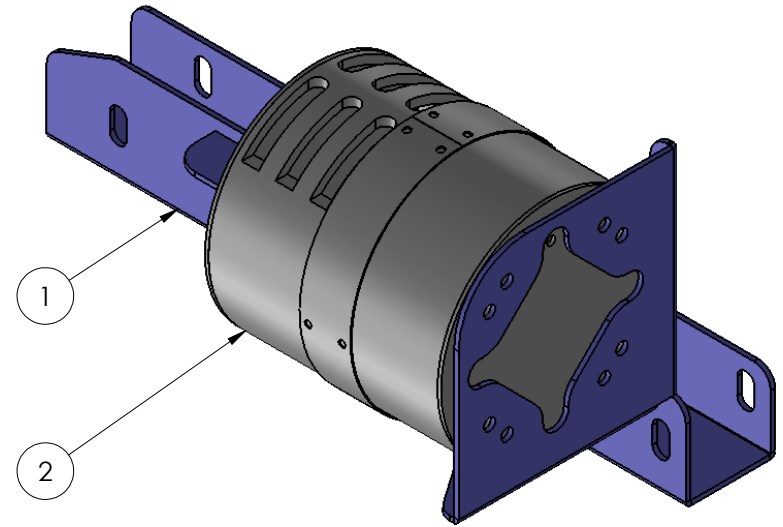
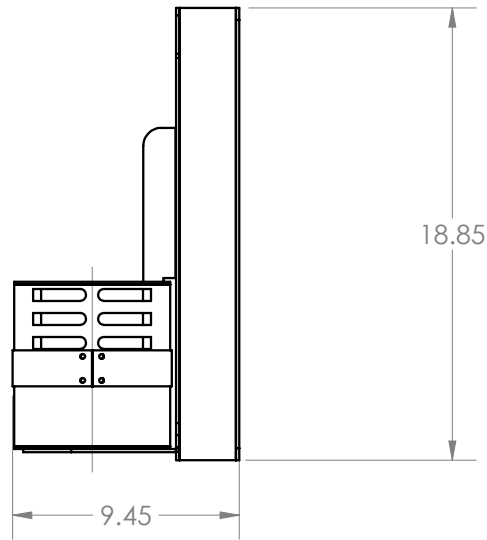


REV.	DESCRIPTION	BY	DATE	APPROVED



**SECTION A-A**

ITEM NO.	PART NUMBER	DESCRIPTION	QTY.
1	835-0039A	Ford F250 Thunder Speaker Holder	1
2	935-0080A	Thunder Speaker Assembly	1

NAME	DATE	DESCRIPTION	SIZE
DRAWN: VM	03/03/17	<b>DandR ELECTRONICS CO., LTD.</b> DANDR-ANSI-A REV2 APRIL 1, 2009	<b>A</b>
CHECKED: AD	03/03/17	Path: Y:\M\MECH_DATA\910 Light and Siren Systems\Thunder\ File: 935-0087A Date: Thursday, March 16, 2017 4:20:07 PM	
<p>THE INFORMATION CONTAINED WITHIN THIS DRAWING IS PROPRIETARY AND CONFIDENTIAL. AND IS THE SOLE PROPERTY OF DandR ELECTRONICS CO., LTD. IT MAY NOT BE REPRODUCED AT WHOLE OR IN PART WITHOUT THE WRITTEN PERMISSION OF DandR ELECTRONICS CO., LTD.</p>		<p><b>Ford F250 Thunder Speaker Holder Assembly</b></p>	
FINISH: Black Semi-Gloss Ext.		MFG. NO.: 935-0087A	CATALOG. NO.:
		USED ON: -	SHEET 1 OF 1
		MATERIAL: SEE TABLE	REV. 0