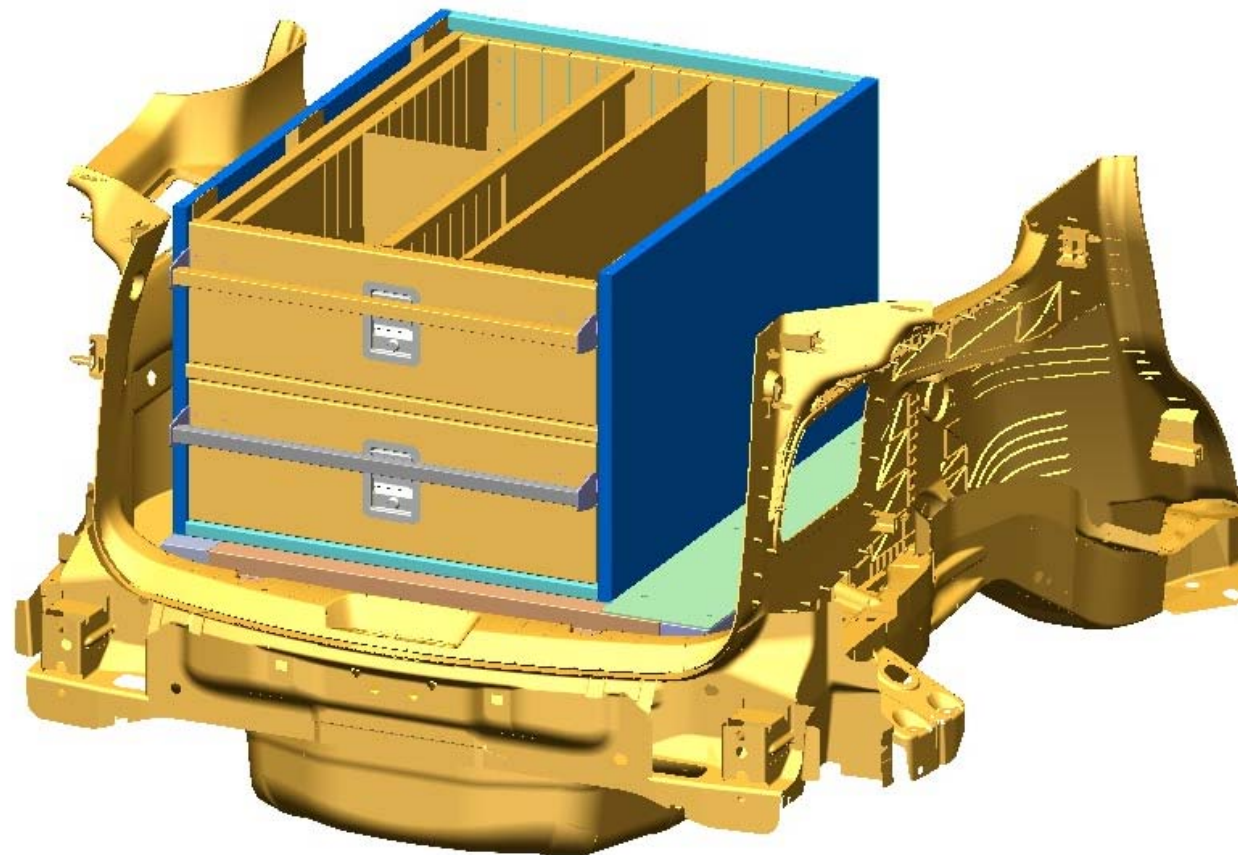
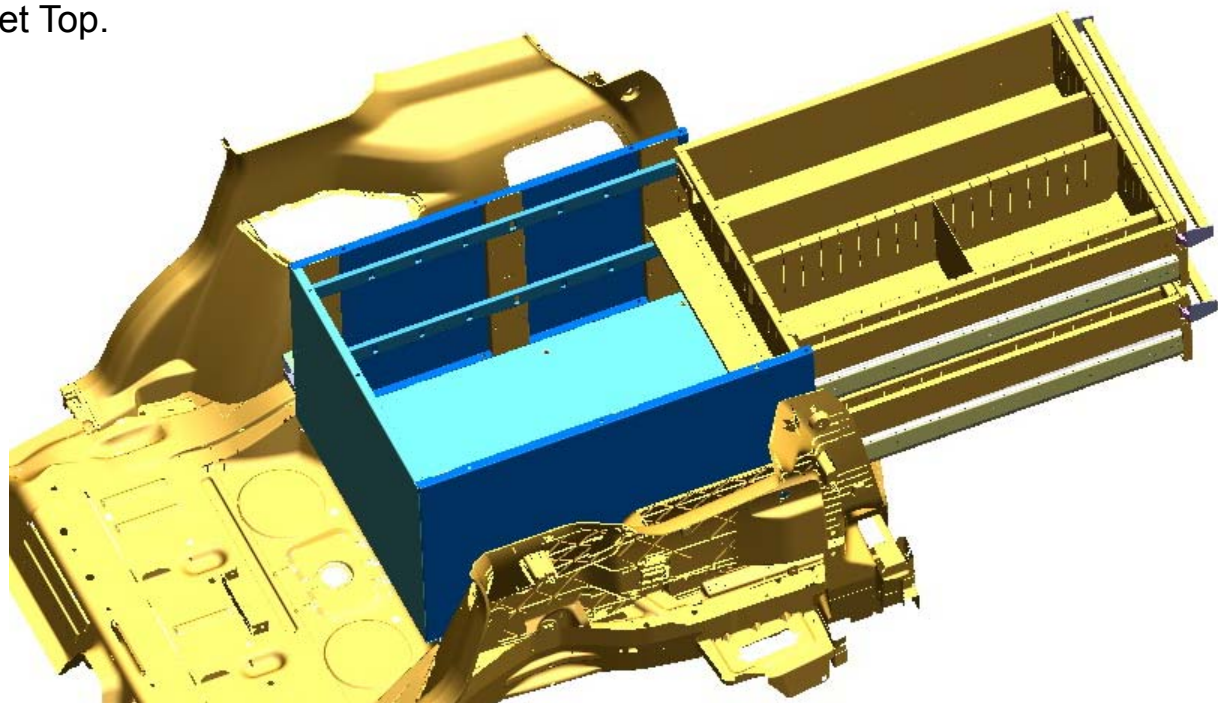


Step 5
Cabinet on Sub-frame continued..
Remove Cabinet Top by unfastening the Bolts on top.

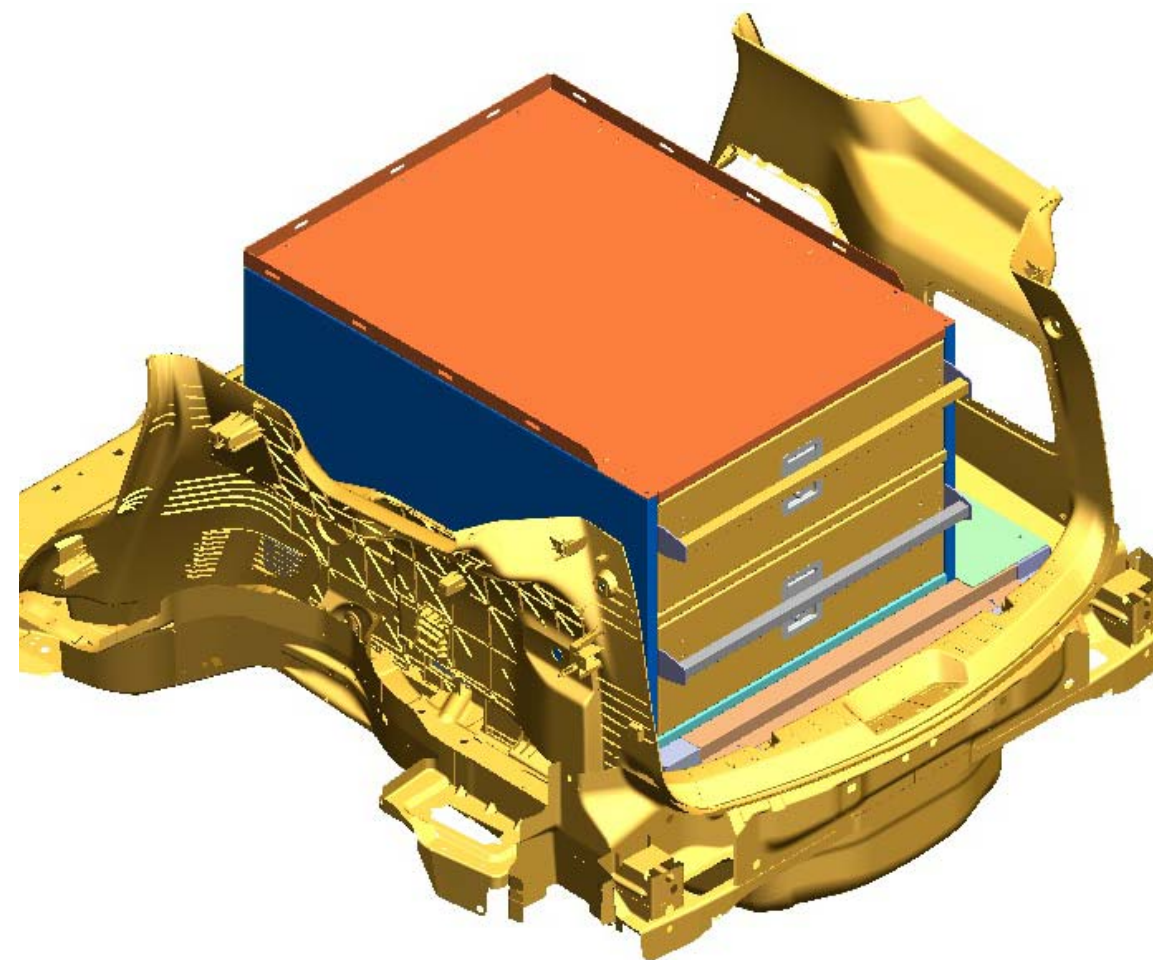


Step 6
Cabinet on Sub-frame continued..
Ensure someone holds the cabinet down from the rear and then open drawers. Secure the Cabinet to the Sub-frame using hardware provided. Close Drawers and Replace Cabinet Top.



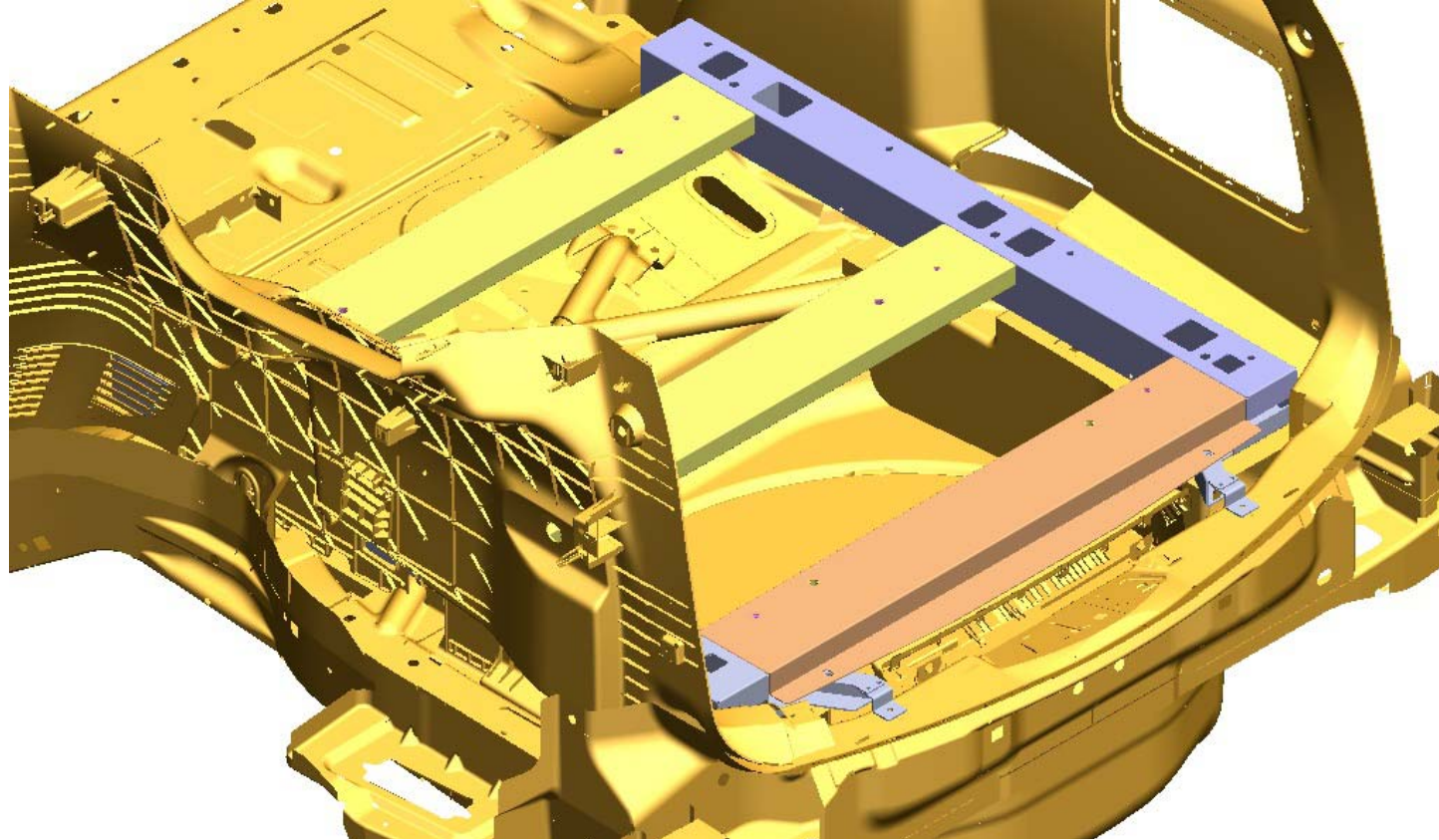
2012 Ford Interceptor Explorer
934-0537A Custom Sub-frame with
934-0536A Custom Storage Unit

INSTALLATION MANUAL

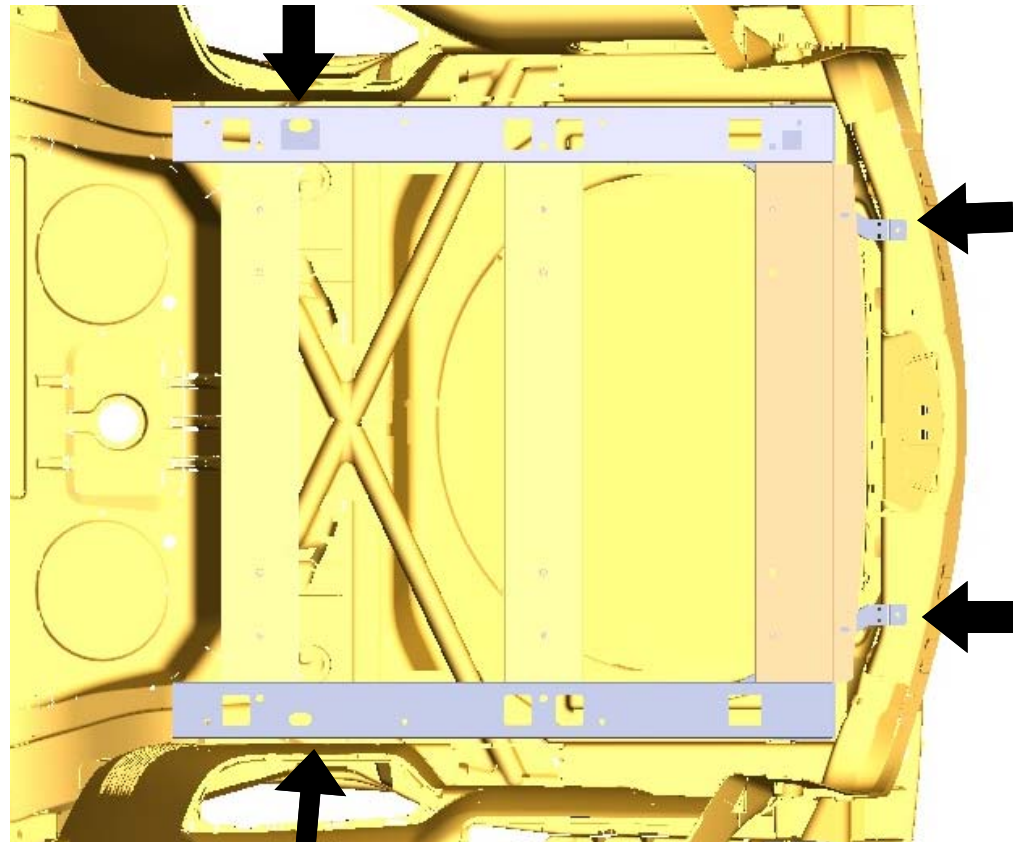


Step 1
Sub-frame to Vehicle

Remove all necessary panels and place sub-frame as shown.

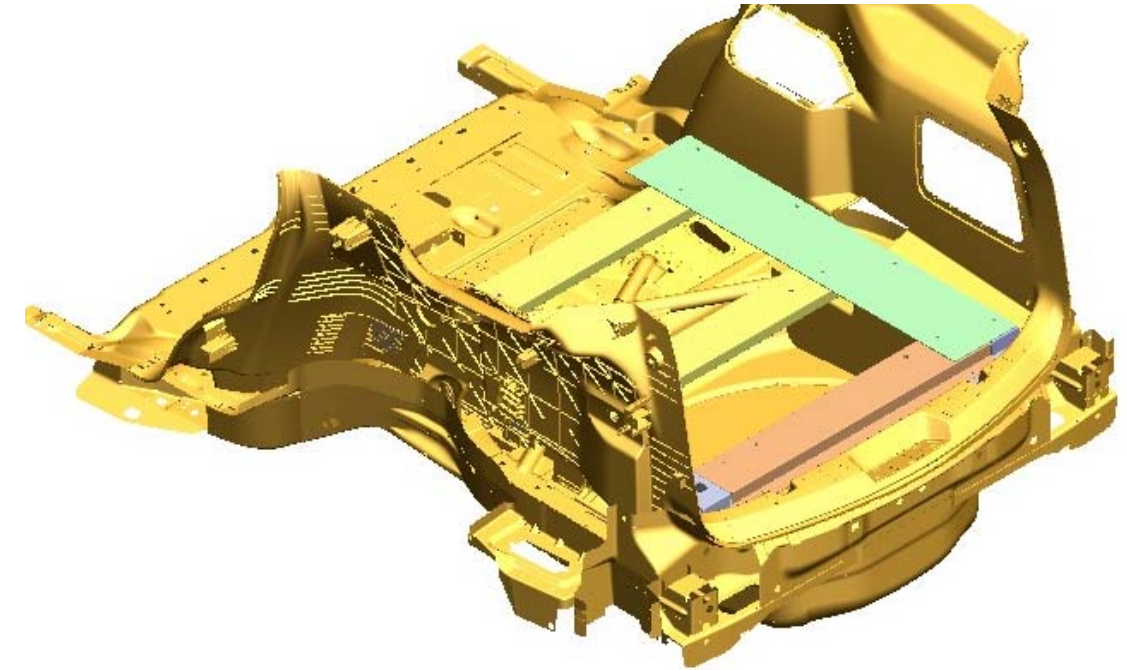


Step 2
Sub-frame to Vehicle
Secure Sub-frame using hardware provided to the front and rear.



Step 4
Side Cover Panel

Place Side Cover Panel Over the Sub-Frame and Secure using hardware provided.



Step 5
Cabinet on Sub-frame

Place Cabinet on Sub-frame and secure using hardware provided.

