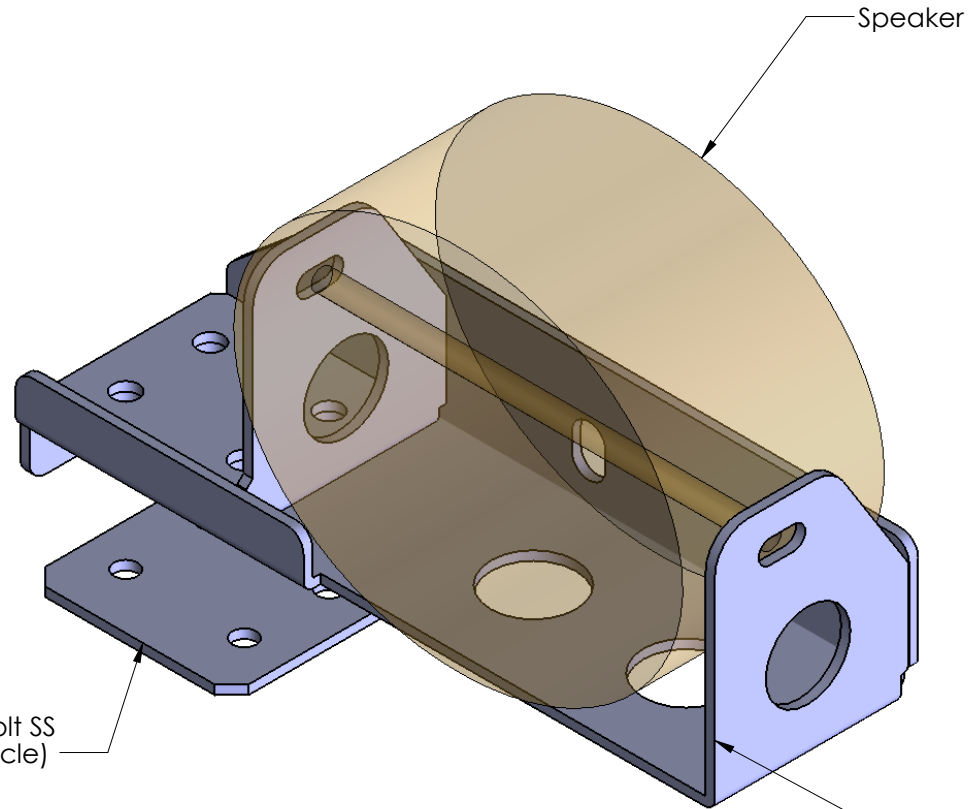


| REV. | DESCRIPTION | DATE | APPROVED |
|------|-------------|------|----------|
| | | | |



Speaker Brkt Bottom Plate
 (#835-0015A)
 (Using 4 sets of 5/16-18 x 3' hex bolt SS
 5/16-18 SS Nyloc Nuts bolt to vehicle)

Speaker Brkt Welded
 (#835-0014A)

| | | | | |
|--|---|-------------------|------------------------------|---|
| DIMENSIONS ARE IN INCHES TOLERANCES: FRACTIONAL $\pm 1/32$ ANGULAR: $\pm .10^\circ$ TWO PLACE DECIMAL $\pm .010$ THREE PLACE DECIMAL $\pm .005$ | | NAME MQ | DATE | |
| MATERIAL 10 ga CRS | DRAWN MQ | CHECKED | DATE | |
| FINISH Zinc Plated Semi-Gloss Black Ext. | ENG APPR. | MFG APPR. | Q.A. | Ford Taurus 2013 Speaker Brkt |
| COMMENTS: | Path: Y:\MECH ENG\MECH_DESIGN\2013 Taurus Speaker Brkt\ File: 935-0063A Date: Thursday, April 26, 2012 3:05:26 PM | SIZE A | DWG. NO. 935-0063A | REV. 0 |
| USED ON: | SHEET 1 OF 1 | | | |