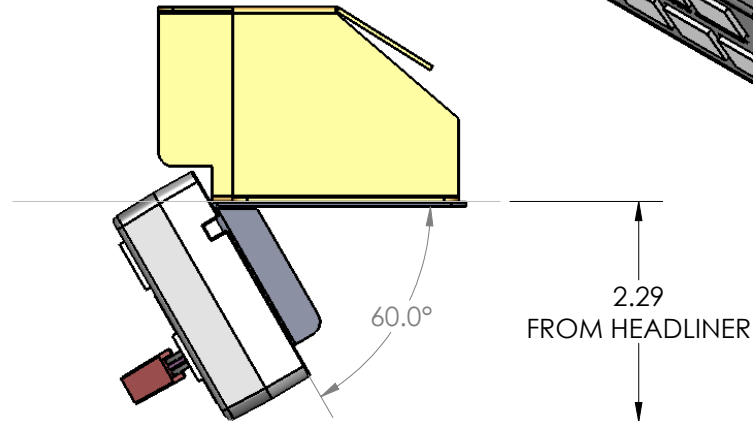
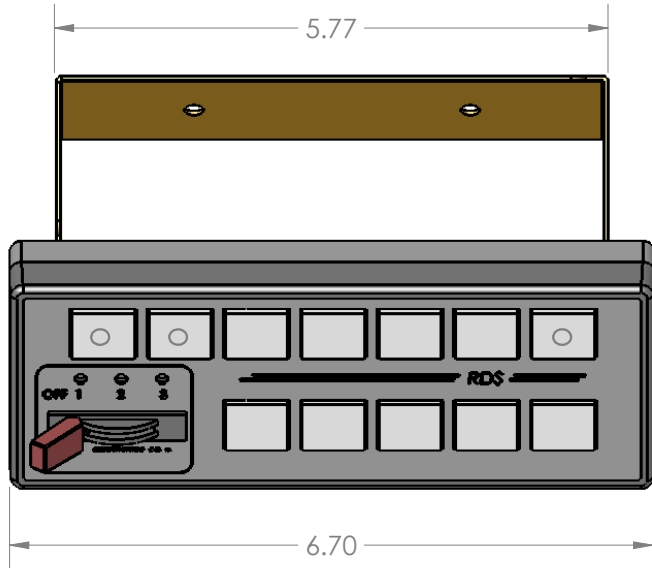
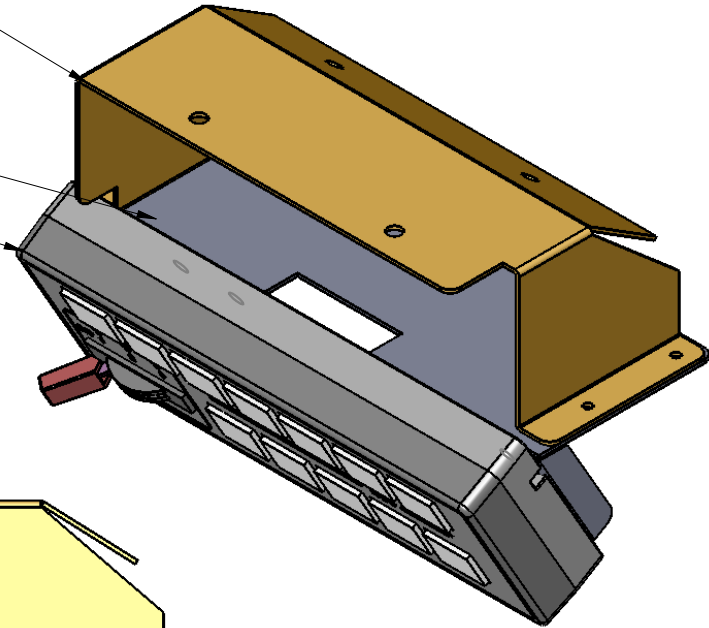


REV.	DESCRIPTION	BY	DATE	APPROVED

RDS Roof Mtg Brkt
836-0389A

RDS Roof Mtg Faceplate
836-0390A

RDSTouch Pad
NOT INCLUDED



	NAME	DATE	 DANDR-ANSI-A REV2 APRIL 1, 2009	SIZE
DRAWN	BW	2APRIL14		A
CHECKED	AD	2APRIL14	Path: \\server-file\data\MECH ENG\MECH_DESIGN\936-0493A Police Interceptor RDS Touch File: 936-0493A Date: April-02-14 1:09:37 PM	
THE INFORMATION CONTAINED WITHIN THIS DRAWING IS PROPRIETARY AND CONFIDENTIAL. AND IS THE SOLE PROPERTY OF DandR ELECTRONICS CO. LTD. IT MAY NOT BE REPRODUCED AT WHOLE OR IN PART WITHOUT THE WRITTEN PERMISSION OF DandR ELECTRONICS CO. LTD.			DESCRIPTION: Ford Interceptor Roof RDS Touch PAD Mount (Inside Sunglass Holder)	
FINISH			MFG. NO.	CATALOG. NO.
Midnight Black Wrinkle			936-0493A	XXX
			USED ON:	SHEET 1 OF 1
			MATERIAL	REV.
			18ga CRS	0