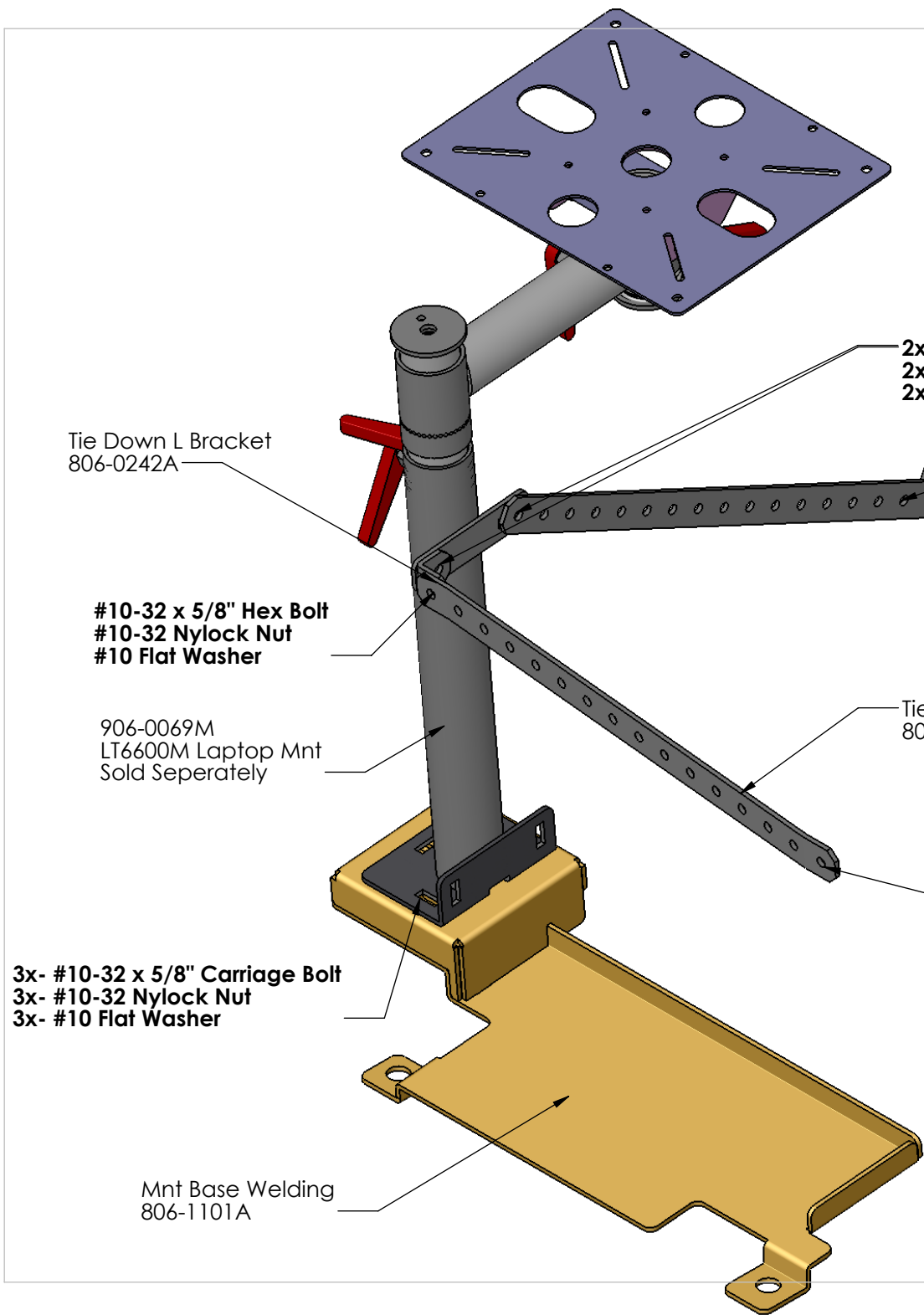


REV.	DESCRIPTION	BY	DATE	APPROVED



Tie Down L Bracket
806-0242A

2x- #10-32 x 5/8" Carriage Bolt
2x- #10-32 Nylock Nut
2x- #10 Flat Washer

Tie Down Strap 1
806-1102A

#10-32 x 5/8" Hex Bolt
#10-32 Nylock Nut
#10 Flat Washer

906-0069M
LT6600M Laptop Mnt
Sold Separately

Tie Down Strap 2
806-1103A

#8-32 x 3/4" Self Tapping Screw
#8 Flat Washer

3x- #10-32 x 5/8" Carriage Bolt
3x- #10-32 Nylock Nut
3x- #10 Flat Washer

Mnt Base Welding
806-1101A

	NAME	DATE	 DANDR-ANSI-A REV2 APRIL 1, 2009	SIZE
DRAWN	JV	7AUG14		A
CHECKED	AD	7AUG14	Path: \\server-file\data\MECH ENG\MECH_DESIGN\2014 Dodge Ram Promaster Floor Plate File: 906-0255A Date: Wednesday, August 13, 2014 2:07:48 PM	
THE INFORMATION CONTAINED WITHIN THIS DRAWING IS PROPRIETARY AND CONFIDENTIAL. AND IS THE SOLE PROPERTY OF DandR ELECTRONICS CO. LTD. IT MAY NOT BE REPRODUCED AT WHOLE OR IN PART WITHOUT THE WRITTEN PERMISSION OF DandR ELECTRONICS CO. LTD.			DESCRIPTION: 2014 Dodge Promaster LT66MK	
			MFG. NO. 906-0255A	CATALOG. NO. XXX
			USED ON: 9XX-XXXX	SHEET 1 OF 1
FINISH	Midnight Black Wrinkle		MATERIAL	REV. 0
			10 ga CRS	