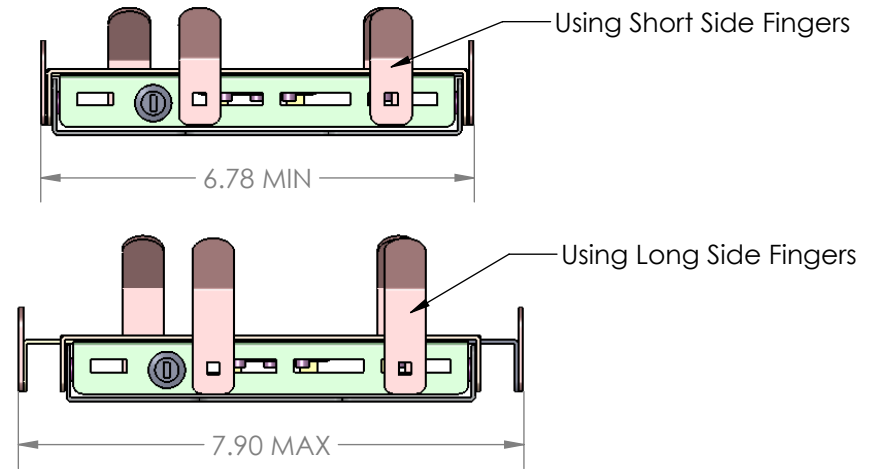
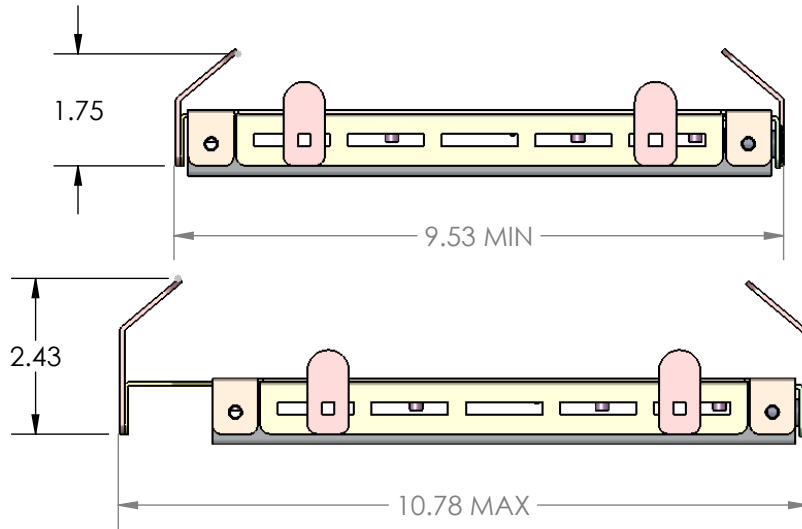
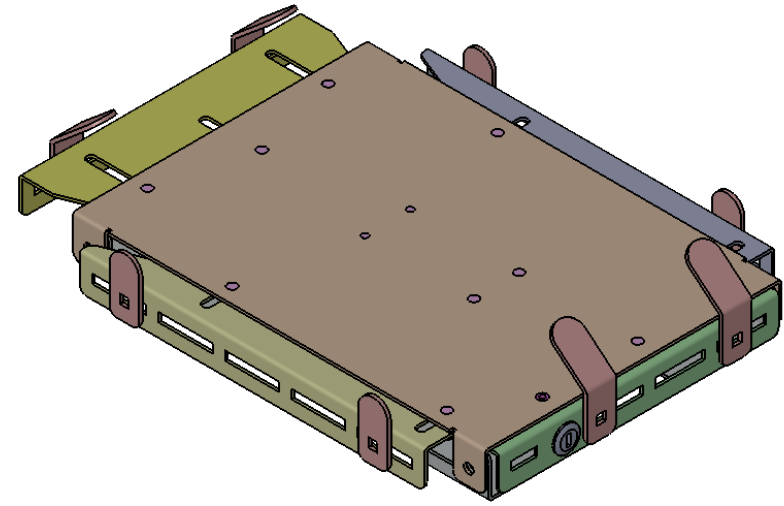
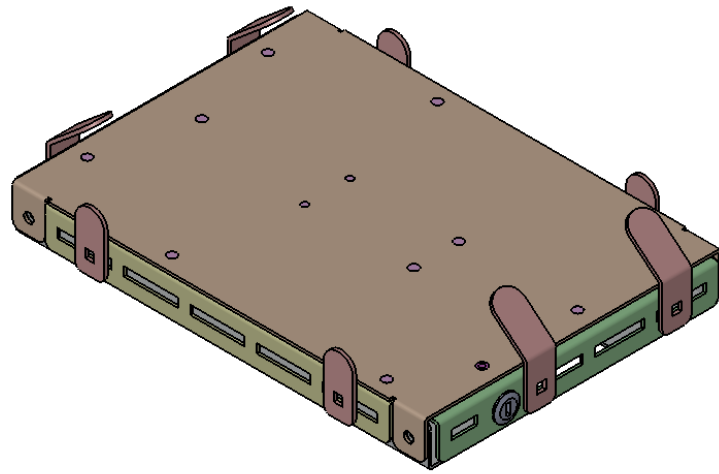
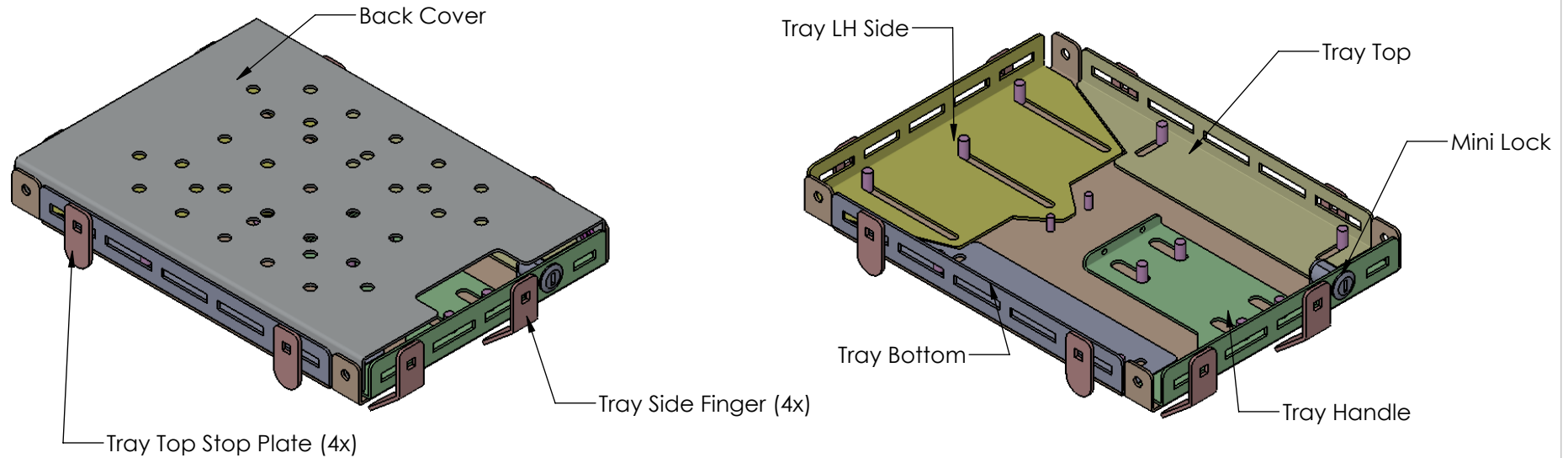


REV.	DESCRIPTION	BY	DATE	APPROVED



	NAME	DATE	<b>ELECTRONICS CO.</b>	DANDR-ANSI-A REV2 APRIL 1, 2009	SIZE <b>A</b>
DRAWN	JV	19MAR14		Path: \\server-file\data\MECH ENG\MECH_DESIGN\Universal Tablet Locking Tray File: 907-0286A Date: Thursday, January 15, 2015 8:15:10 AM	
CHECKED	AD	19MAR14	DESCRIPTION:	<b>Universal Tablet Locking Tray</b>	
THE INFORMATION CONTAINED WITHIN THIS DRAWING IS PROPRIETARY AND CONFIDENTIAL. AND IS THE SOLE PROPERTY OF DandR ELECTRONICS CO. LTD. IT MAY NOT BE REPRODUCED AT WHOLE OR IN PART WITHOUT THE WRITTEN PERMISSION OF DandR ELECTRONICS CO. LTD.			MFG. NO. <b>907-0286A</b>	CATALOG. NO. <b>XXX</b>	
FINISH Black Semi Gloss			USED ON: 907-0286A		SHEET 1 OF 2
			MATERIAL 16 ga CRS / 14 ga SS	REV. <b>0</b>	

REV.	DESCRIPTION	BY	DATE	APPROVED



**Note:**  
**4x Short Tray Side Fingers Supplied**  
**4x Long Tray Side Fingers Supplied**  
**USE EITHER SET AS REQUIRED**

NAME	DATE	DandR ELECTRONICS CO., LTD.		DANDR-ANSI-A	SIZE
DRAWN: JV	13FEB14			REV2	A
CHECKED: AD	13FEB14			APRIL 1, 2009	
Path: \\server-file\data\MECH ENG\MECH DESIGN\Universal Tablet Locking Tray\ File: 907-0286A Date: Thursday, January 15, 2015 8:15:10 AM		DESCRIPTION:			
THE INFORMATION CONTAINED WITHIN THIS DRAWING IS PROPRIETARY AND CONFIDENTIAL. AND IS THE SOLE PROPERTY OF DandR ELECTRONICS CO. LTD. IT MAY NOT BE REPRODUCED AT WHOLE OR IN PART WITHOUT THE WRITTEN PERMISSION OF DandR ELECTRONICS CO. LTD.		<b>Universal Tablet Locking Tray</b>			
FINISH: Black Semi Gloss		MFG. NO. 907-0286A	CATALOG. NO. XXX		
		USED ON: 907-0286A	SHEET 2 OF 2		
		MATERIAL: .064" AL /16 ga CRS	REV. 0		