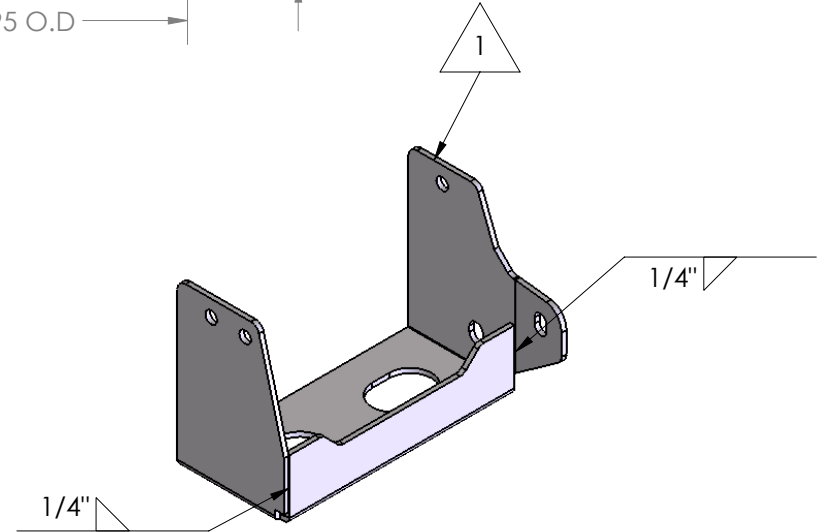
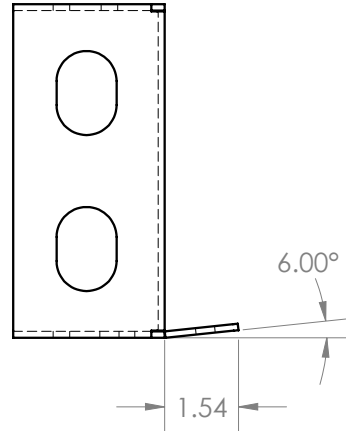
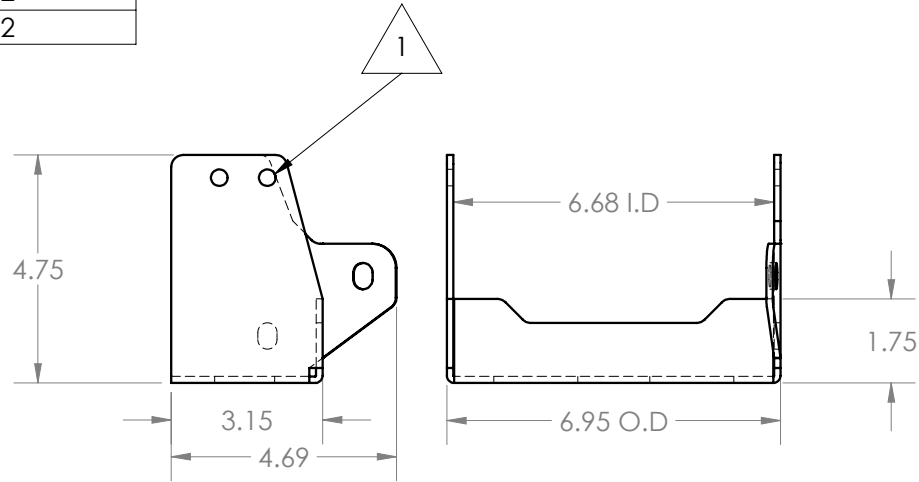


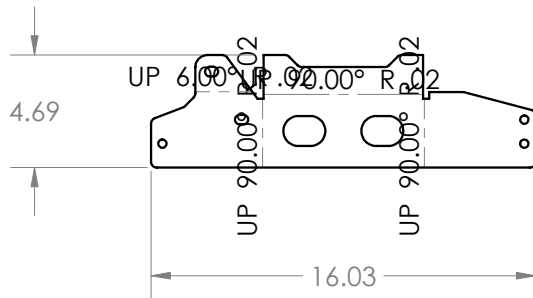
HARDWARE LIST

Item #	NAME	QTY
1	5/16-18 x 1in Hex Bolt SS	2
2	5/16 Flat Washer SS	4
3	5/16 Lock Washer SS	2
4	5/16-18 x NUT SS	2

REV.	DESCRIPTION	DATE	APPROVED
1	Cut top mount, added hole for 9/14/12 AD adapter Brkt		AD



NOTE: Watch Bend Direction



FLAT PATTERN

DIMENSIONS ARE IN INCHES TOLERANCES: FRACTIONAL ± 1/32 ANGULAR: ± .10° TWO PLACE DECIMAL ± .010 THREE PLACE DECIMAL ± .005		NAME	DATE	
MATERIAL 10 ga CRS		DRAWN MQ		
FINISH Zinc Plated Semi-Gloss Black Ext.		CHECKED		Ford Explorer 2013 Speaker Brkt
		ENG APPR.		
		MFG APPR.		
		Q.A.		Path: \\server-file\data\MECH ENG\MECH_DATA\935 Speaker Brackets\2013 Fo File: 935-0062A Date: Friday, September 14, 2012 2:30:00 PM SIZE DWG. NO.
		COMMENTS:		A 935-0062A REV. 1
				USED ON: SHEET 1 OF 1