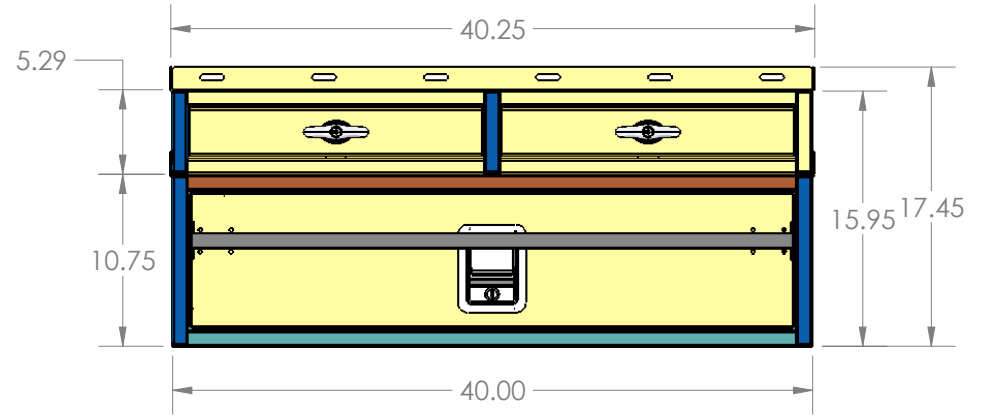
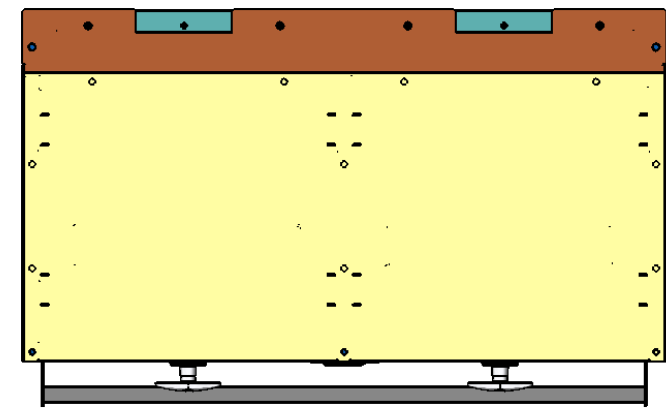
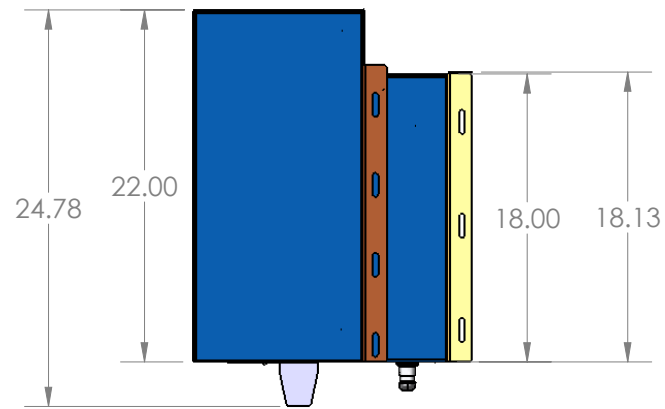
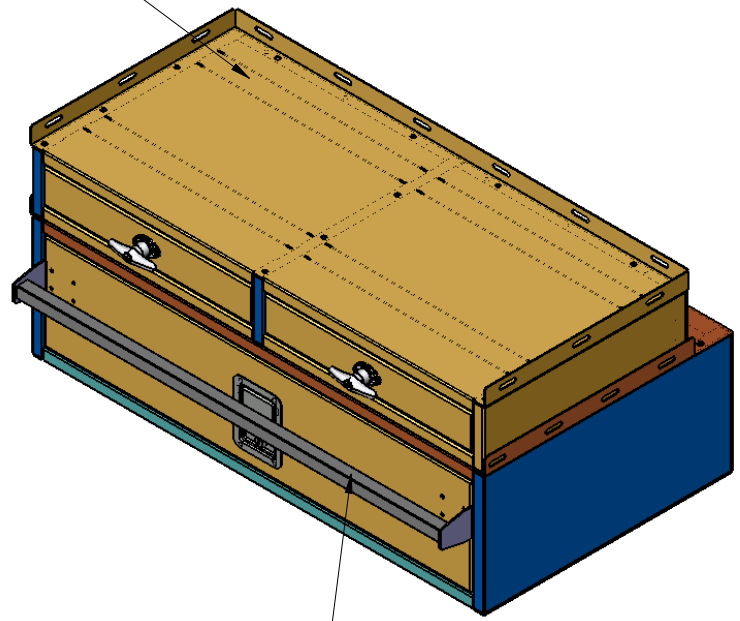


REV.	DESCRIPTION	BY	DATE	APPROVED



Upper Dual Map Drawer
934-0781A

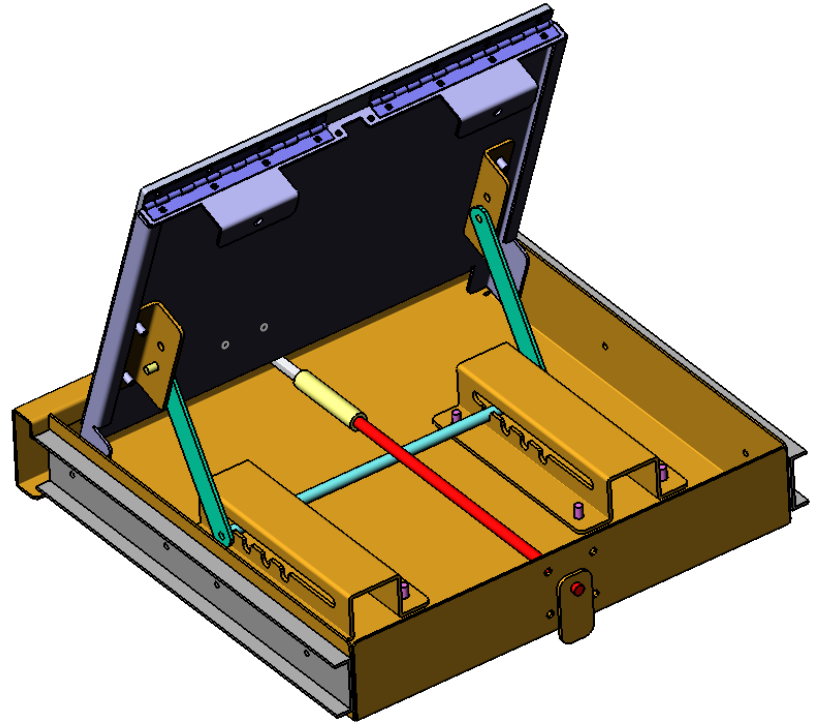
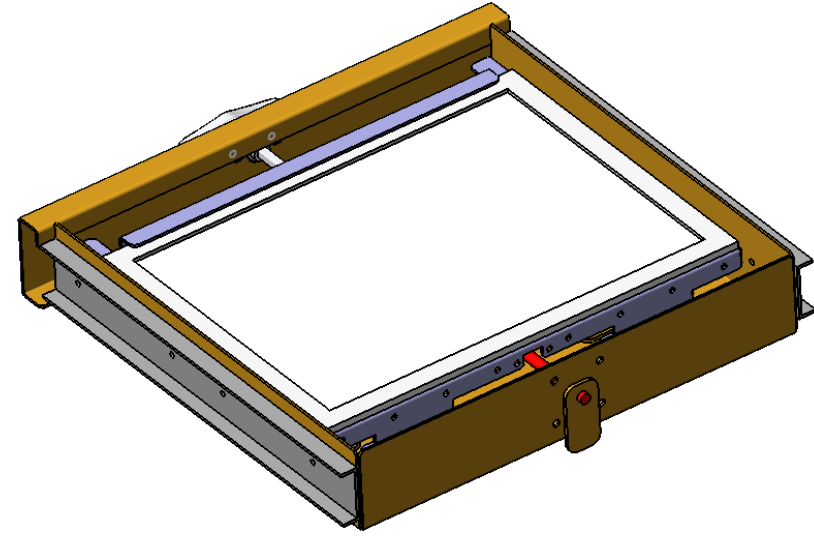


Bottom Cabinet
934-0683A

2 PAIR OF 16" HEAVY DUTY SLIDES
1 PAIR OF 20" HEAVY DUTY SLIDES

DRAWN	NAME MQ	DATE 08/N/16	ELECTRONICS CO., LTD. DANDR-ANSI-A REV2 APRIL 1, 2009 SIZE A	
CHECKED	AD	08/N/16		
Path: Y:\M\MECH_DATA\934-Files\934-0782A Custom Cabinet Sys to Fit Laguna Seats\ File: 934-0782A Date: Monday, July 31, 2017 9:48:36 AM				
THE INFORMATION CONTAINED WITHIN THIS DRAWING IS PROPRIETARY AND CONFIDENTIAL. AND IS THE SOLE PROPERTY OF DandR ELECTRONICS CO. LTD. IT MAY NOT BE REPRODUCED AT WHOLE OR IN PART WITHOUT THE WRITTEN PERMISSION OF DandR ELECTRONICS CO. LTD.			DESCRIPTION: Ford Explorer 2013+ Custom Cabinet System For Fit Laguna Seats	
MFG. NO.		934-0782A	CATALOG. NO.	XXX
USED ON:				SHEET 1 OF 2
FINISH	Midnight Black Wrinkle		MATERIAL	0.09"/0.125" ALUM
				REV. 0

REV.	DESCRIPTION	BY	DATE	APPROVED



DRAWN	NAME MQ	DATE 08/N/12	 ELECTRONICS CO.		DANDR-ANSI-A REV2 APRIL 1, 2009	SIZE A
CHECKED			Path: Y:\M\MECH_DATA\934-Files\934-0782A Custom Cabinet Sys to Fit Laguna Seats\ File: 934-0782A Date: Monday, July 31, 2017 9:48:36 AM			
THE INFORMATION CONTAINED WITHIN THIS DRAWING IS PROPRIETARY AND CONFIDENTIAL. AND IS THE SOLE PROPERTY OF DandR ELECTRONICS CO. LTD. IT MAY NOT BE REPRODUCED AT WHOLE OR IN PART WITHOUT THE WRITTEN PERMISSION OF DandR ELECTRONICS CO. LTD.			DESCRIPTION: <h3 style="text-align: center;">CUSTOM DUAL MAP DRAWER</h3>			
FINISH Midnight Black Wrinkle		MATERIAL 0.09"/0.125" ALUM	MFG. NO. 934-0782A	CATALOG. NO. XXX		SHEET 2 OF 2
			USED ON: 934-0572A	REV. 0		