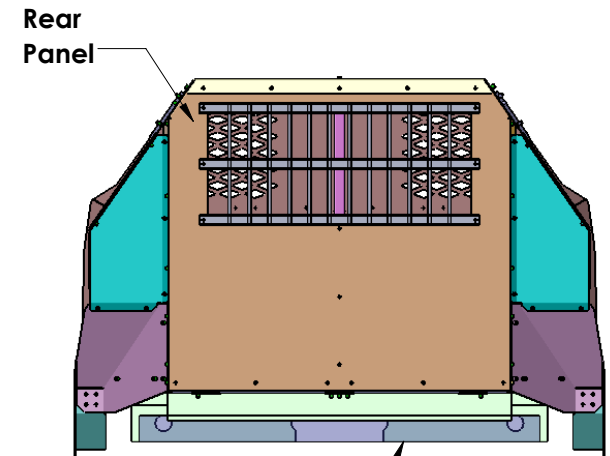
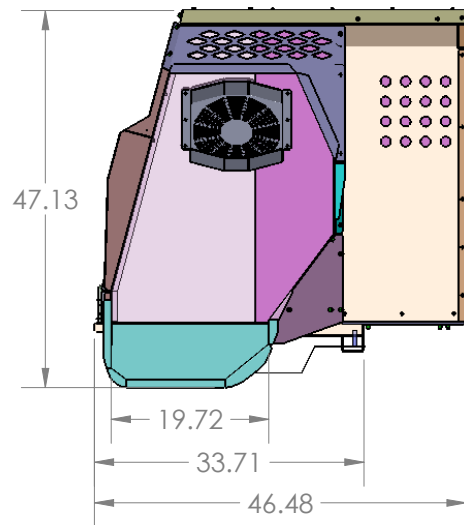
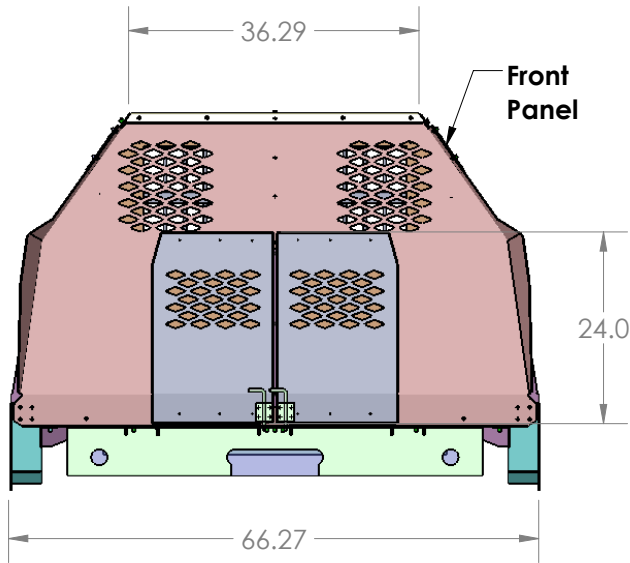


REV.	DESCRIPTION	NCR#	DCR#	BY	DATE	APPROVED



**834-4086A
Tahoe Chevy 2017
Subframe**

DRAWING APPROVED

NAME:

DATE:

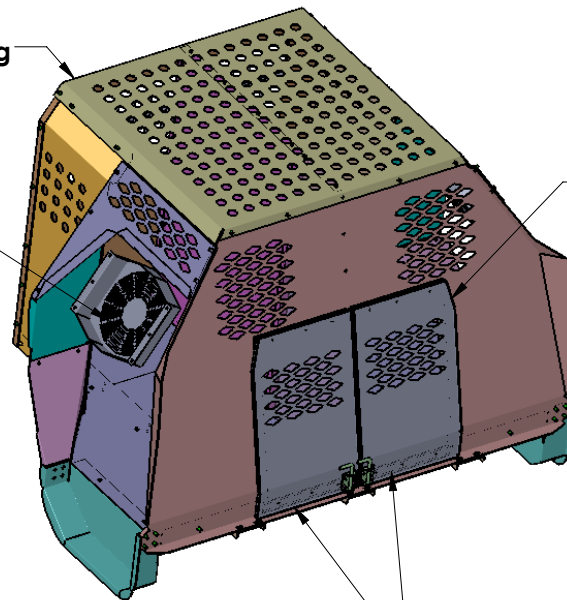
SIGNATURE: _____

Hardware List:

- 75 Sets of (61 for kennel; 14 for win covers)
- 1/4-20 x 3/4" Hex Head Screws
- 1/4-20 Lock Washer
- 1/4-20 Flat Washer
- 6 Sets of (for kennel)
- 1/4-20 x 1" Carriage Bolts
- 1/4-20 Flat Washers
- 1/4-20 Nyloc Nuts
- 14 Sets of (for win cover)
- 1/4-20 Flat Washers
- 1/4-20 Nyloc Nuts
- 6 Sets of (for kennel)
- #10-32 x 1/2" Flat Head Screws
- 34- 3/16" GP3/8" Alum Rivets (for win cover)
- 4-#1/4-20 Fender Washers(for win cover)

Kennel Ceiling

**K9 Fan
(x2)**

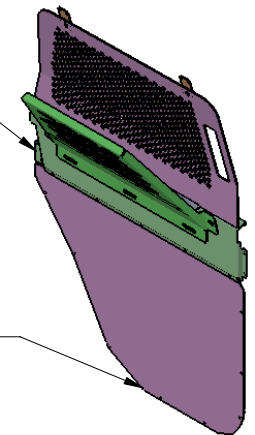


**Front Sliding
Doors**

**14" Light Duty Slide
(x2)**

One pair of
window and door
cover assembly
(DS + PS)

**Tahoe 2017
Door Cover
DS/PS**



NAME	DATE	DandR ELECTRONICS CO., LTD.		DANDR-ANSI-A	SIZE
VM	06/02/17	DandR		REV2	A
AD	06/02/17	Path: Y:\M\MECH_DATA\934-Files\934-0810A Tahoe 2017 K9 Two Dogs Kennel\		APRIL 1, 2009	
		File: 934-0810A			
		Date: Friday, August 25, 2017 7:54:38 AM			
		DESCRIPTION:			
		Tahoe 2017 K9 Dual Dog Kennel			
FINISH	none	MFG. NO.	934-0810A	CATALOG. NO.	
		USED ON:	-		SHEET 1 OF 1
		MATERIAL	ALUM/CRS	REV.	1