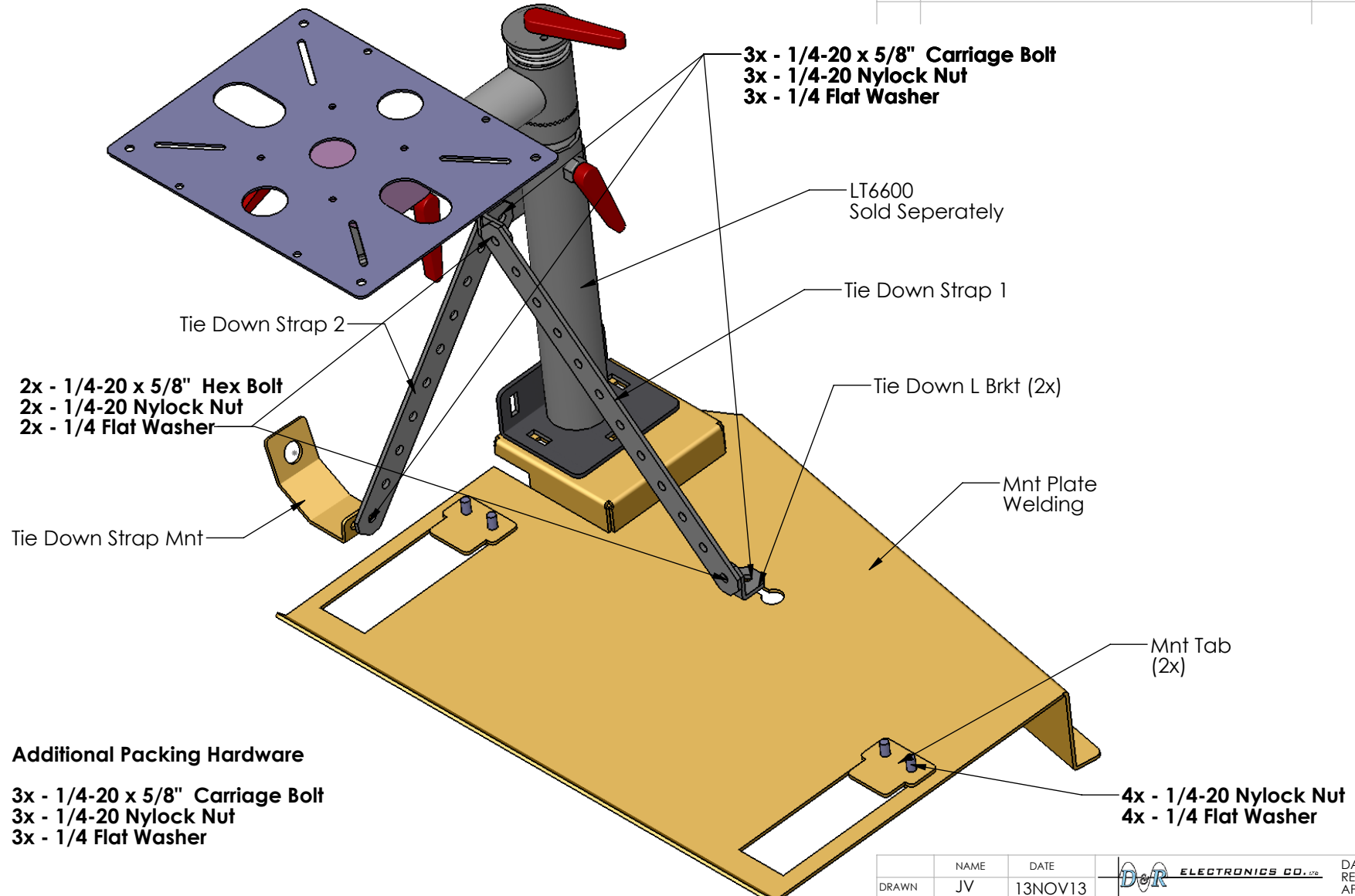
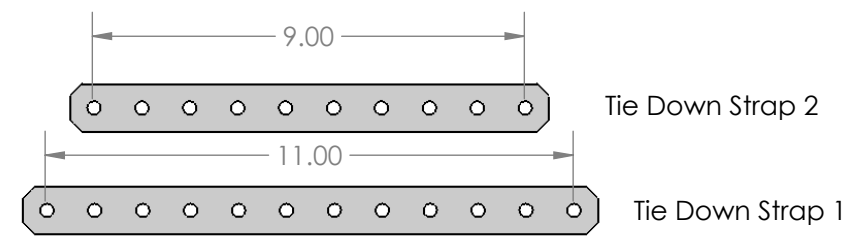


REV.	DESCRIPTION	BY	DATE	APPROVED



**Additional Packing Hardware**

- 3x - 1/4-20 x 5/8" Carriage Bolt**
- 3x - 1/4-20 Nylock Nut**
- 3x - 1/4 Flat Washer**



NAME	DATE	DESCRIPTION	SIZE
DRAWN: JV	13NOV13	<b>2014 Silverado 1500 LT66MK</b>	<b>A</b>
CHECKED: AD	13NOV13	Path: \\server-file\data\MECH ENG\MECH_DATA\906 Laptop Mount\2014 Silverado 1500 L File: 906-0236A Date: Thursday, September 04, 2014 8:39:35 AM	
THE INFORMATION CONTAINED WITHIN THIS DRAWING IS PROPRIETARY AND CONFIDENTIAL. AND IS THE SOLE PROPERTY OF DandR ELECTRONICS CO. LTD. IT MAY NOT BE REPRODUCED AT WHOLE OR IN PART WITHOUT THE WRITTEN PERMISSION OF DandR ELECTRONICS CO. LTD.		MFG. NO. <b>906-0236A</b>	CATALOG. NO. <b>XXX</b>
		USED ON: <b>9XX-XXXX</b>	SHEET 1 OF 1
FINISH: <b>Midnight Black Wrinkle</b>	MATERIAL: <b>12 ga CRS</b>	REV. <b>0</b>	