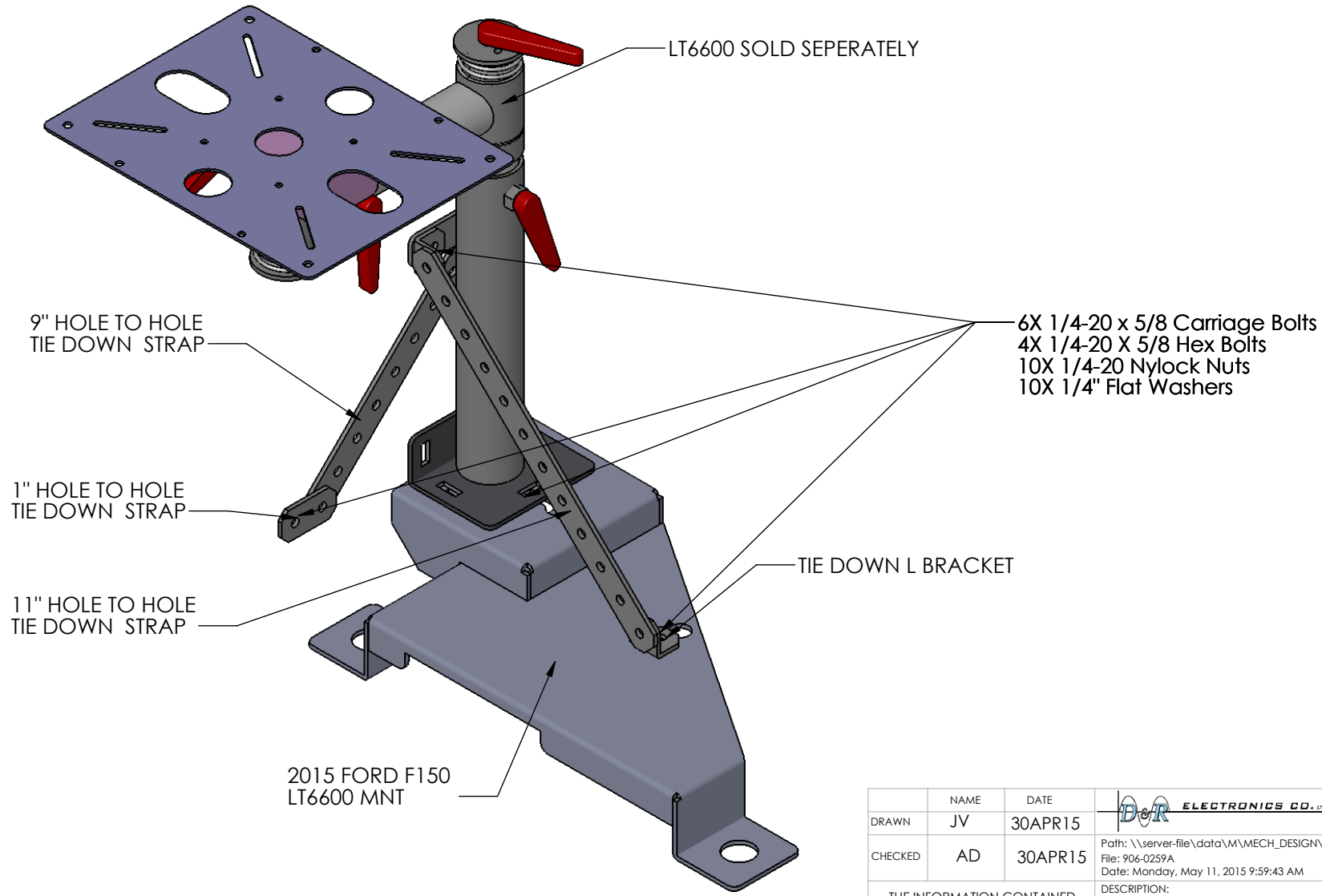


REV.	DESCRIPTION	BY	DATE	APPROVED



- 6X 1/4-20 x 5/8 Carriage Bolts
- 4X 1/4-20 X 5/8 Hex Bolts
- 10X 1/4-20 Nylock Nuts
- 10X 1/4" Flat Washers

	NAME	DATE	ELECTRONICS CO., LTD. <small>DANDR-ANSI-A REV2 APRIL 1, 2009</small>	SIZE
DRAWN	JV	30APR15		A
CHECKED	AD	30APR15	<small>Path: \\server-file\data\M\MECH_DESIGN\2015 F150 Floor Plate Kit\ File: 906-0259A Date: Monday, May 11, 2015 9:59:43 AM</small>	
<small>THE INFORMATION CONTAINED WITHIN THIS DRAWING IS PROPRIETARY AND CONFIDENTIAL. AND IS THE SOLE PROPERTY OF DandR ELECTRONICS CO. LTD. IT MAY NOT BE REPRODUCED AT WHOLE OR IN PART WITHOUT THE WRITTEN PERMISSION OF DandR ELECTRONICS CO. LTD.</small>			DESCRIPTION: 2015 Ford F150 LT66MK	
FINISH			MFG. NO.	CATALOG. NO.
Midnight Black Wrinkle			906-0259A	XXX
			USED ON:	SHEET 1 OF 1
			9XX-XXXX	
			MATERIAL	REV.
			10 ga CRS	0